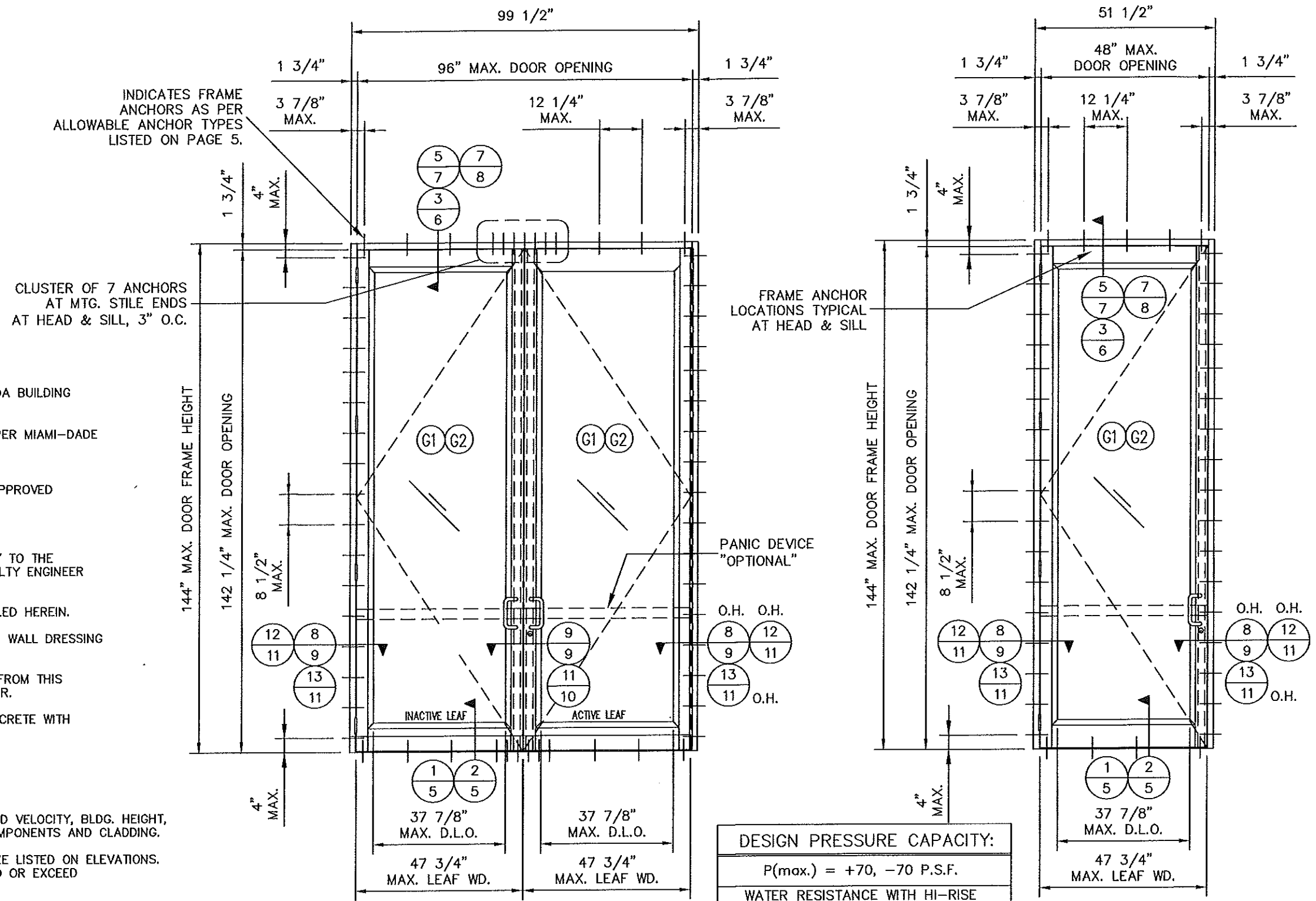


SERIES "SUMMIT + ALUMINUM OUT SWING DOORS



DESIGN PRESSURE CAPACITY:
P(max.) = +70, -70 P.S.F.
WATER RESISTANCE WITH HI-RISE THRESHOLD 10.5 PSF
NO WATER RESISTANCE WITH D. CO. HANDICAP THRESHOLD

GENERAL NOTES:

- THIS PRODUCT IS DESIGNED TO COMPLY WITH THE CURRENT FLORIDA BUILDING CODE (FBC 2017) 6th EDITION (HVHZ).
- DOOR SYSTEM HAS BEEN TESTED FOR LARGE MISSILE IMPACT AS PER MIAMI-DADE COUNTY PROTOCOLS (TAS 201, 202 & 203) HURRICANE WIND-BORNE DEBRIS PROTECTION IS NOT REQUIRED.
- THIS SYSTEM MAY BE USED IN CONJUNCTION WITH TESTED AND APPROVED STOREFRONT/WINDOW WALL SYSTEM.
- CODE REQUIREMENTS FOR EGRESS MUST BE OBSERVED.
- WOOD BUCKS ARE BY OTHERS AND MUST BE ANCHORED PROPERLY TO THE STRUCTURE. BUCKS AND BUCKING SHALL BE DESIGNED BY SPECIALTY ENGINEER OR E.O.R.
- ANCHORS SHALL BE AS LISTED IN CHARTS AND SPACED AS DETAILED HEREIN.
- FRAME ANCHOR EMBEDMENT TO BASE MATERIAL SHALL BE BEYOND WALL DRESSING OR STUCCO AS PER ANCHOR ANCHOR TYPE CHART ON PAGE 4.
- ANY SUBSTRATES, BUCKING OR ANCHOR CONDITIONS WHICH VARY FROM THIS APPROVAL SHALL BE QUALIFIED BY A SPECIALTY ENGINEER OR E.O.R.
- ALL ALUMINUM FRAMES SHALL BE ISOLATED FROM STEEL AND CONCRETE WITH HIGH STRENGTH STRUCTURAL PLASTIC SHIMS OR AS PER FBC.


INSTRUCTIONS:

- STEP 1 - DETERMINE DESIGN WIND LOAD REQUIREMENT BASED ON WIND VELOCITY, BLDG. HEIGHT, WIND ZONE USING APPLICABLE ASCE 7 STANDARDS FOR COMPONENTS AND CLADDING.
- STEP 2 - CHECK DESIGN PRESSURE CAPACITY FOR DESIRED DOOR SIZE LISTED ON ELEVATIONS. THE DESIGN PRESSURE ON THE DOOR SHOULD BE EQUAL TO OR EXCEED THE PROJECT DESIGN PRESSURE.
- STEP 3 - SELECT ANCHOR OPTION(S) BASED ON SUBSTRATES FROM "FRAME ANCHOR TYPES" ON PAGES 4.

TYPICAL ELEVATION

TYPICAL ELEVATION

PRODUCT NAME: SUMMIT+ ALUMINUM OUTSWING DOOR SYSTEM - LMI		
DRAWING NUMBER: SUMMIT+OS.LMI	DRAW BY: M.G.	PRODUCT APPROVAL NO. #: FL27984.1
SHT. 1 OF 16	SCALE: 3/8"=1'-0"	DATE: 08/17/18


ALDORA
 ALUMINUM AND GLASS PRODUCTS, INC.
 11500 MIRAMAR PKWY. SUITE 300 MIRAMAR, FL. 33025
 PHONE: (954) 784-6900 FAX: (954) 784-6901

SEAL
 LICENSED PROFESSIONAL ENGINEER
 No 43904
 AUG 17 2018
 STATE OF FLORIDA
 WILLIAM D. COOK P.E.
 #43904, FLA S.I. #2008

BROMLEY•COOK ENGINEERING, INC.
 STRUCTURAL ENGINEERING SERVICES
 5440 N.W. 33RD AVENUE SUITE 100
 FORT LAUDERDALE, FLORIDA 33309
 TEL: (954) 772-4624 FAX: (954) 772-4634
 CERT. OF AUTH. #00009124

REFER TO SEPARATE PRODUCT APPROVAL FOR DOOR MULLION ANCHOR LOCATIONS

INDICATES FRAME ANCHORS AS PER ALLOWABLE ANCHOR TYPES LISTED ON PAGE 4.

FRAME ANCHOR LOCATIONS TYPICAL AT HEAD & SILL.

CLUSTER OF 3 ANCHORS AT VERT. MULLIONS AT HEAD & SILL @ 3" O.C.

CLUSTER OF 4 ANCHORS AT VERT. MULLIONS AT HEAD & SILL @ 3" O.C.

CLUSTER OF 7 ANCHORS AT MTG. STILE ENDS AT HEAD & SILL, 3" O.C.

PANIC DEVICE "OPTIONAL"

PANIC DEVICE "OPTIONAL"

ALDORA ALUMINUM & GLASS PRODUCTS ALUMINUM STOREFRONT/ WINDOW WALL SYSTEM AS PER SEPARATE PRODUCT APPROVAL


ALDORA ALUMINUM & GLASS PRODUCTS ALUMINUM STOREFRONT/ WINDOW WALL SYSTEM AS PER SEPARATE PRODUCT APPROVAL

DESIGN PRESSURE CAPACITY:
 P(max.) = +70, -70 P.S.F.
 WATER RESISTANCE WITH HI-RISE THRESHOLD 10.5 PSF
 NO WATER RESISTANCE WITH HANDICAP THRESHOLD

TYPICAL ELEVATION

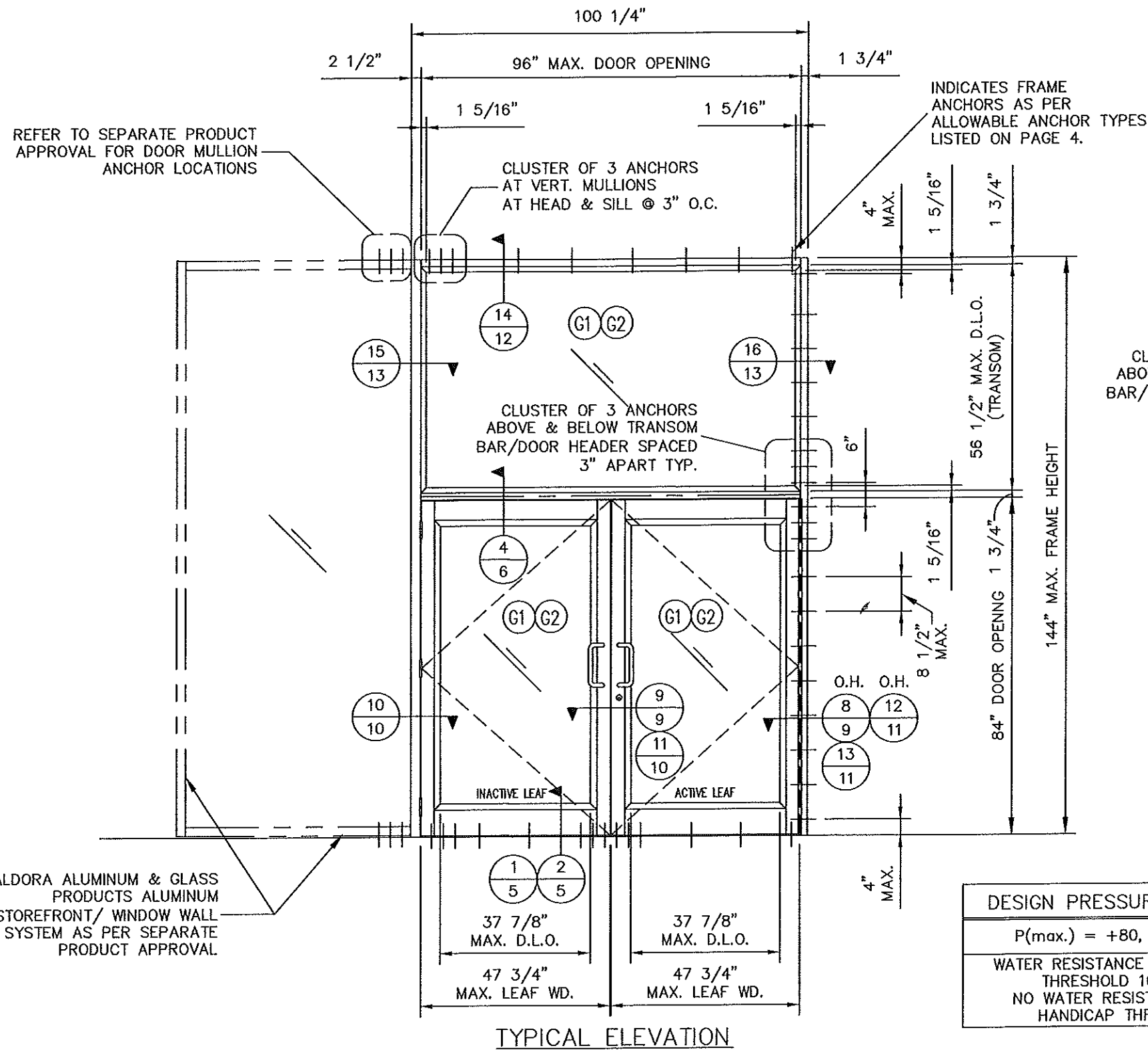
TYPICAL ELEVATION

PRODUCT NAME: SUMMIT+ ALUMINUM OUTSWING DOOR SYSTEM - LMI		
DRAWING NUMBER: SUMMIT+OS.LMI	DRAW BY: M.G.	PRODUCT APPROVAL NO.: FL27984.1
SHT. 2 OF 16	SCALE: 3/8"=1'-0"	DATE: 08/17/18


ALDORA
 ALUMINUM AND GLASS PRODUCTS, INC.
 11500 MIRAMAR PKWY. SUITE 300 MIRAMAR, FL. 33025
 PHONE: (954) 784-6900 FAX: (954) 784-6901

WILLIAM D. COOK
 LICENSE
 No 43904
 AUG 17 2018
 STATE OF FLORIDA
 PROFESSIONAL ENGINEER
 WILLIAM D. COOK P.E.
 FLA P.E. #43904, FLA S.I. #2008

BROMLEY-COOK ENGINEERING, INC.
 STRUCTURAL ENGINEERING SERVICES
 5440 N.W. 33RD AVENUE SUITE 100
 FORT LAUDERDALE, FLORIDA 33309
 TEL: (954) 772-4624 FAX: (954) 772-4634
 CERT. OF AUTH. #00009124

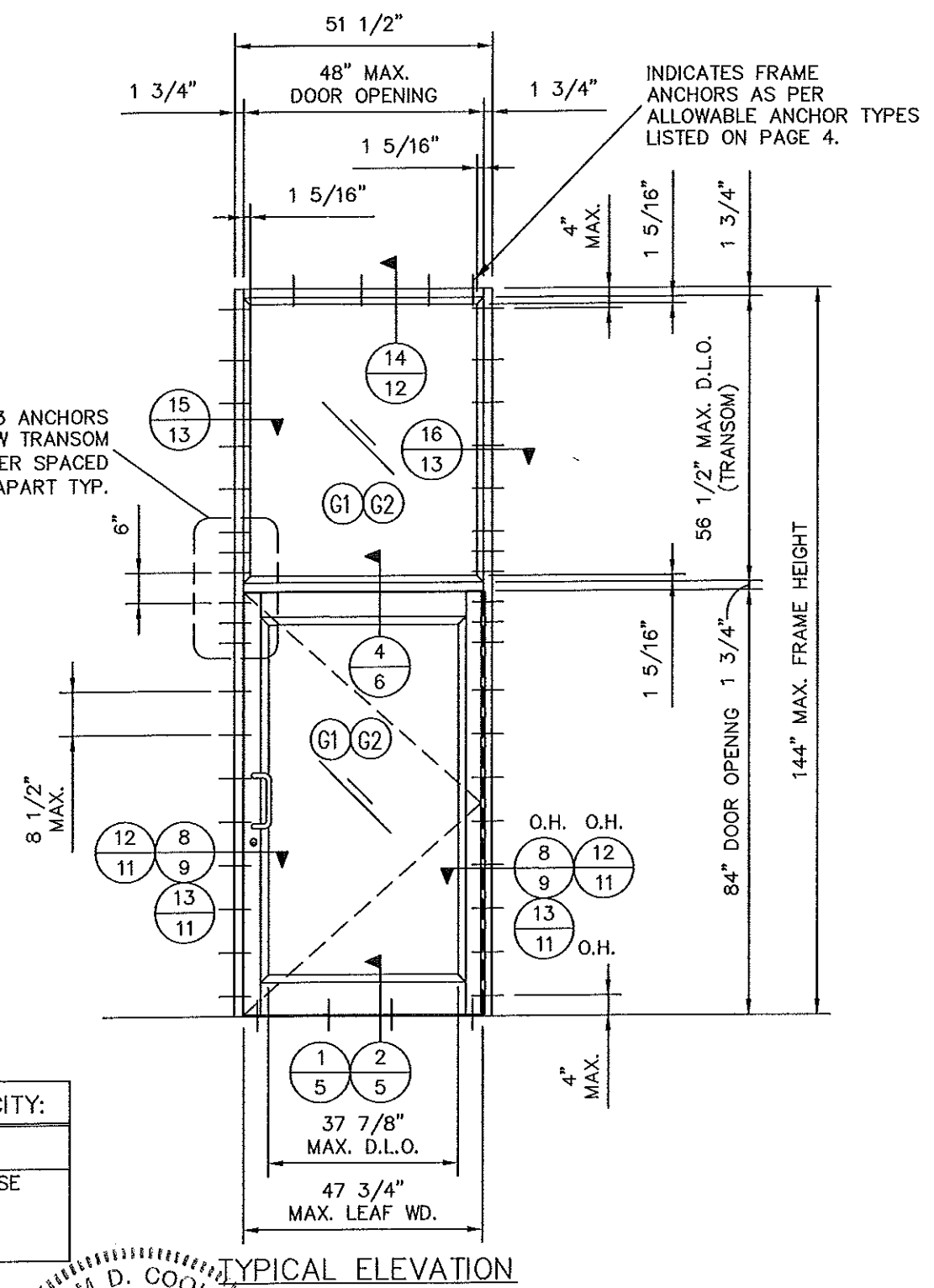


REFER TO SEPARATE PRODUCT APPROVAL FOR DOOR MULLION ANCHOR LOCATIONS

ALDORA ALUMINUM & GLASS PRODUCTS ALUMINUM STOREFRONT/ WINDOW WALL SYSTEM AS PER SEPARATE PRODUCT APPROVAL


DESIGN PRESSURE CAPACITY:
P(max.) = +80, -80 P.S.F.
WATER RESISTANCE WITH HI-RISE THRESHOLD 10.5 PSF NO WATER RESISTANCE WITH HANDICAP THRESHOLD

TYPICAL ELEVATION



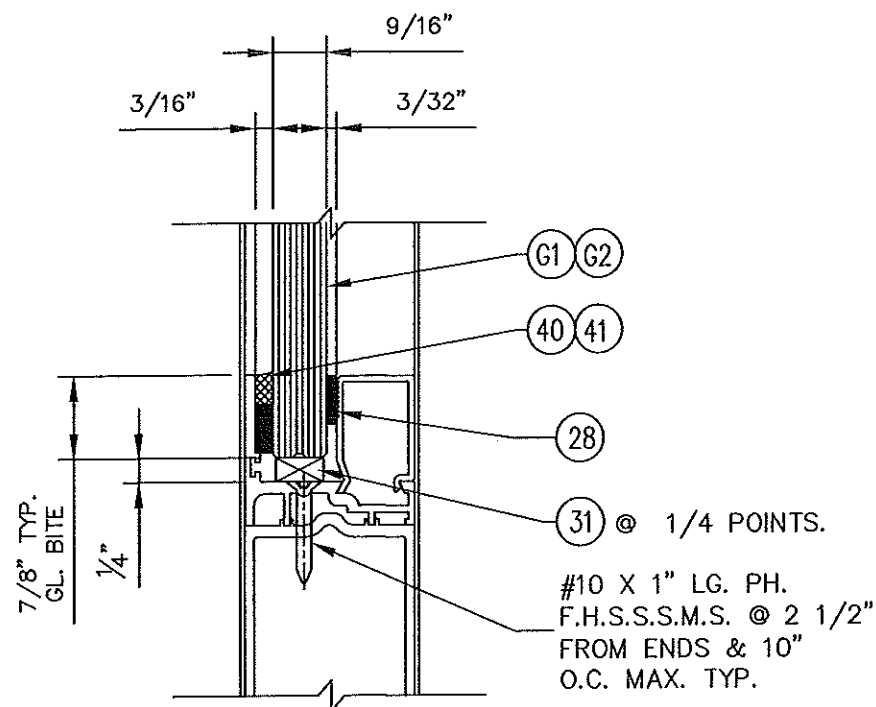
TYPICAL ELEVATION

PRODUCT NAME: SUMMIT+ ALUMINUM OUTSWING DOOR SYSTEM - LMI		
DRAWING NUMBER: SUMMIT+OS.LMI	DRAW BY: M.G.	PRODUCT APPROVAL NO.: FL27984.1
SHT. 3 of 16	SCALE: 3/8"=1'-0"	DATE: 08/17/18


ALDORA
 ALUMINUM AND GLASS PRODUCTS, INC.
 11500 MIRAMAR PKWY. SUITE 300 MIRAMAR, FL. 33025
 PHONE: (954) 784-6900 FAX: (954) 784-6901

SEAL
 WILLIAM D. COOK
 LICENSE
 No 43904
 STATE OF FLORIDA
 AUG 17 2018
 PROFESSIONAL ENGINEER
 WILLIAM D. COOK P.E.
 FLA P.E. #43904, FLA S.I. #2008

BROMLEY-COOK ENGINEERING, INC.
 STRUCTURAL ENGINEERING SERVICES
 5440 N.W. 33RD AVENUE SUITE 100
 FORT LAUDERDALE, FLORIDA 33309
 TEL: (954) 772-4624 FAX: (954) 772-4634
 CERT. OF AUTH. #00009124




A GLAZING DETAIL
4 AT BOTTOM RAIL
(TOP RAIL & VERTICAL STILES
SIMILAR)

GLASS TYPES		
MARK	TYPE	MAKE UP/DESCRIPTION
G1	9/16" LAMINATED	1/4" HEAT STRENGTHENED - .090" SENTRYGLAS PLUS INTERLAYER - 1/4" HEAT STRENGTHENED SENTRYGLAS PLUS INTERLAYER BY "KURARAY AMERICA, INC."
G2	9/16" LAMINATED	1/4" HEAT STRENGTHENED - .077" VANCEVA STORM INTERLAYER W/PET CORE - 1/4" HEAT STRENGTHENED VANCEVA STORM INTERLAYER BY "EASTMAN CHEMICAL CO."

DOOR LOCK OPTIONS
REGENT SERIES 2002 3-POINT HOOK BOLT MORTISE LOCK (ACTIVE LEAF) WITH KEY CYLINDER (EXTERIOR) AND THUMB TURN (INTERIOR) FOR SINGLE AND DOUBLE DOORS
REGENT PART #2-PT-L 2-POINT THROW BOLT LOCK (INACTIVE LEAF) WITH THUMB TURN (INTERIOR) DOUBLE DOORS ONLY
SARGENT SERIES AD8400 & NB-AD8400 CONCEALED VERTICAL ROD PANIC DEVICE (ACTIVE & INACTIVE LEAF) WITH KEY CYLINDER (EXTERIOR)

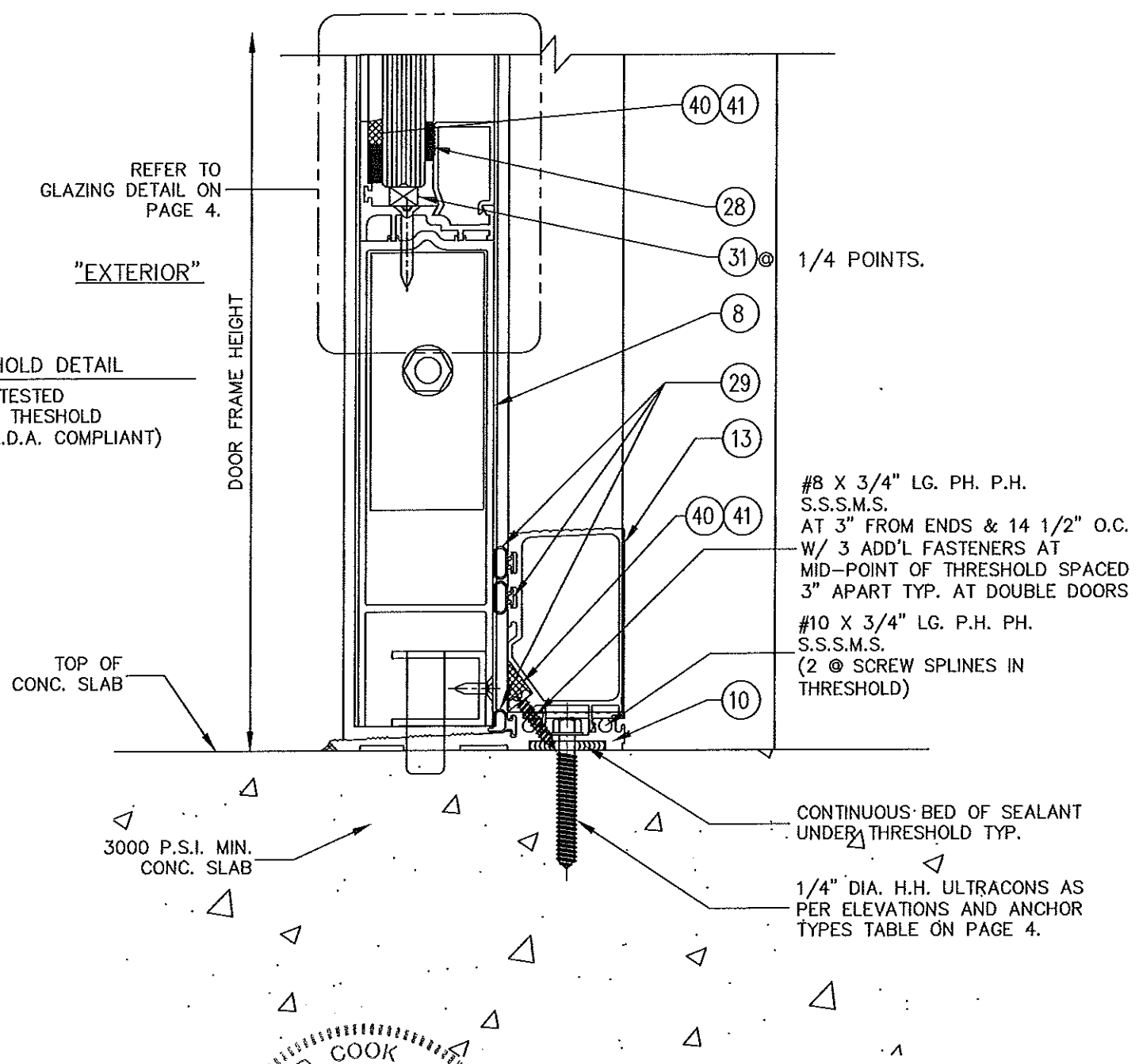
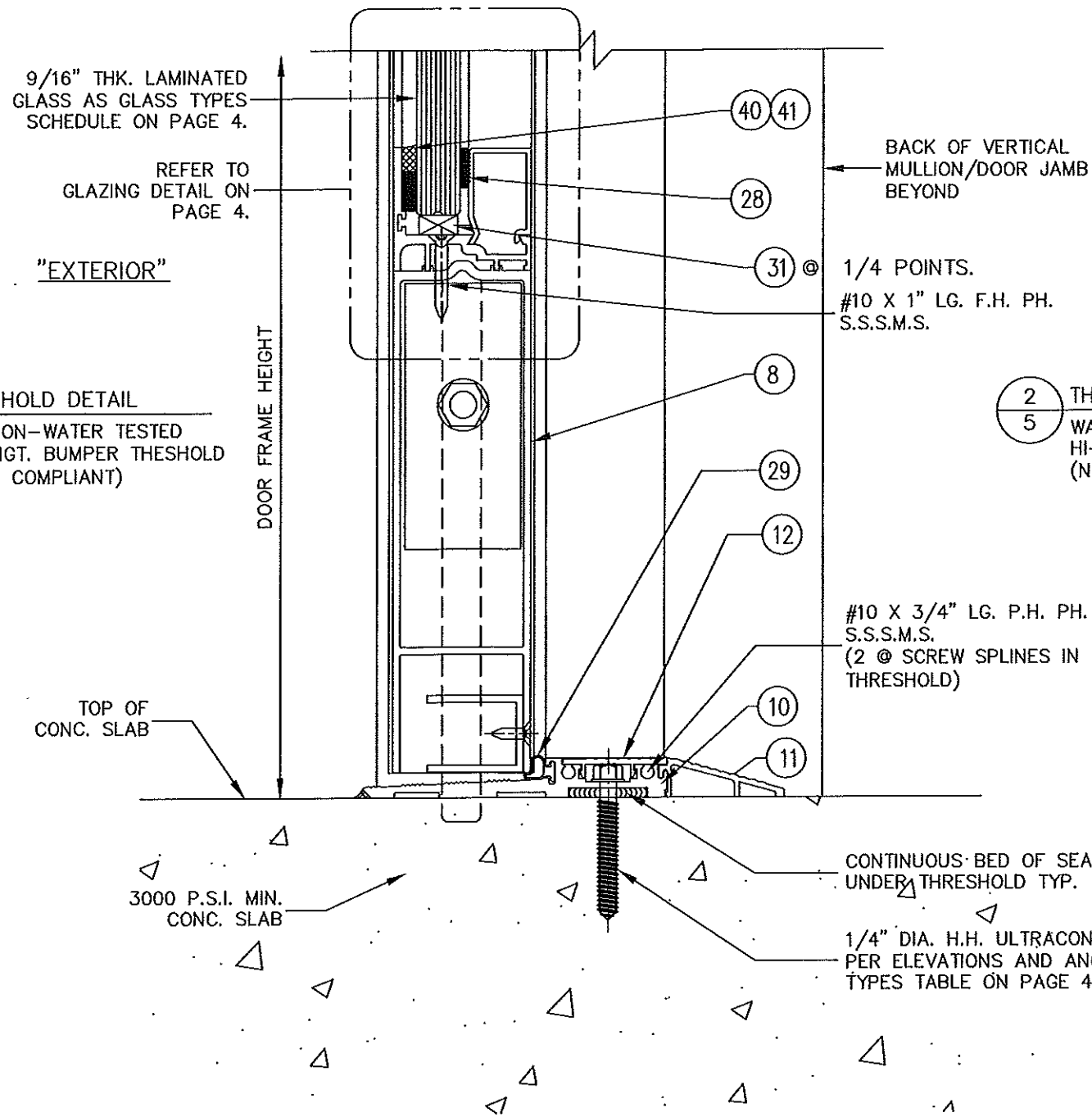
FRAME ANCHOR TYPES:
1. 1/4" DIA. H.H. ULTRACONS OR EQUAL INTO 3000 P.S.I. MIN. GROUT FILLED C.M.U. WITH 1 1/2" MIN. EMBED. MIN. EDGE DISTANCE = 2 1/2"
2. 1/4" DIA. H.H. ULTRACONS OR EQUAL INTO 3000 P.S.I. POURED CONC. WITH 1 1/2" MIN. EMBED. MIN. EDGE DISTANCE = 2 1/2"
3. 1/4" DIA. H.H. ULTRACONS OR EQUAL THRU 3/4" NOMINAL THICKNESS WOOD BUCK WITH 1 1/2" MIN. EMBED. INTO CONC. MIN. EDGE DISTANCE = 2 1/2"
4. 1/4" DIA. H.H. ULTRACONS OR EQUAL INTO 1 1/2" NOMINAL THICKNESS (2 X 6) WOOD BUCK WITH 1 3/4" MIN. EMBED INTO STRUCTURAL WOOD FRAMING. (MIN. SPECIFIC GRAVITY = 0.55) MIN. EDGE DISTANCE = 1 1/4"
5. #14 X 1 1/4" H.H. SELF THREADING SCREWS (ELCO "DRILL-FLEX" OR "TEKS") INTO STEEL OR ALUMINUM FRAMING (STEEL: A36 MIN. YIELD STRENGTH - 1/8" MIN. THICKNESS) (ALUMINUM: 6063-T5 MIN. ALLOY/TEMPER) FASTENERS MUST PENETRATE THRU METAL SUBSTRATE A MINIMUM OF 1/4"

PRODUCT NAME: SUMMIT+ ALUMINUM OUTSWING DOOR SYSTEM - LMI		
DRAWING NUMBER: SUMMIT+OS.LMI	DRAW BY: M.G.	PRODUCT APPROVAL NO.: FL27984.1
SHT. 4 OF 16	SCALE: 6"=1'-0"	DATE: 08/17/18


ALDORA
 ALUMINUM AND GLASS PRODUCTS, INC.
 11500 MIRAMAR PKWY. SUITE 300 MIRAMAR, FL. 33025
 PHONE: (954) 784-6900 FAX: (954) 784-6901

SEAL
 WILLIAM D. COOK
 LICENSE
 No 43904
 AUG 17 2018
 FLORIDA
 PROFESSIONAL ENGINEER
 WILLIAM D. COOK P.E.
 FLA P.E. #43904, FLA S.I. #2008


BROMLEY•COOK ENGINEERING, INC.
 STRUCTURAL ENGINEERING SERVICES
 5440 N.W. 33RD AVENUE SUITE 100
 FORT LAUDERDALE, FLORIDA 33309
 TEL: (954) 772-4624 FAX: (954) 772-4634
 CERT. OF AUTH. #00009124

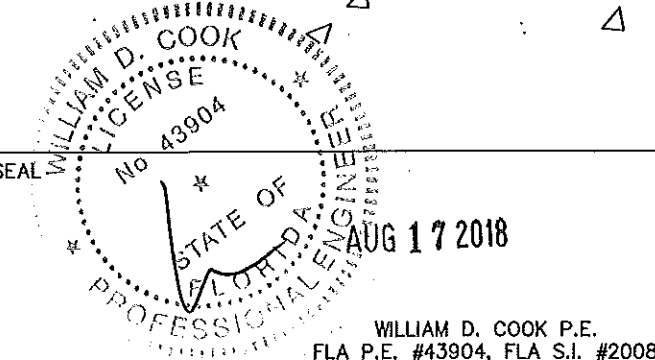


1 THRESHOLD DETAIL
5 STD. NON-WATER TESTED
1/2" HGT. BUMPER THRESHOLD
(A.D.A. COMPLIANT)

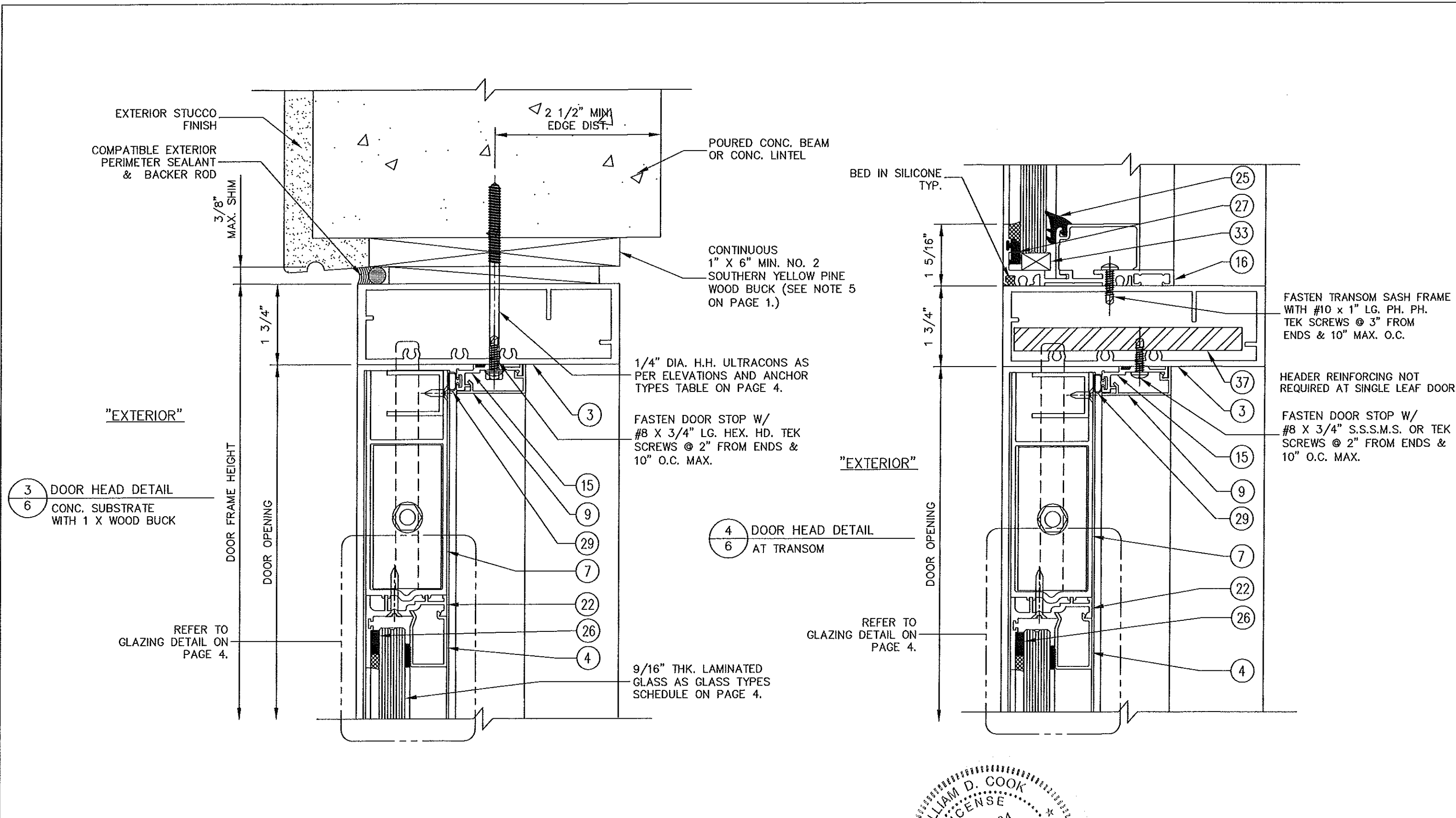
2 THRESHOLD DETAIL
5 WATER TESTED
HI-RISE THRESHOLD
(NON-A.D.A. COMPLIANT)

PRODUCT NAME: SUMMIT+ ALUMINUM OUTSWING DOOR SYSTEM - LMI		
DRAWING NUMBER: SUMMIT+OS.LMI	DRAW BY: M.G.	PRODUCT APPROVAL NO.: FL27984.1
SHT. 5 of 16	SCALE: 6"=1'-0"	DATE: 08/17/18



ALDORA
 ALUMINUM AND GLASS PRODUCTS, INC.
 11500 MIRAMAR PKWY. SUITE 300 MIRAMAR, FL. 33025
 PHONE: (954) 784-6900 FAX: (954) 784-6901

SEAL

 WILLIAM D. COOK P.E.
 FLA P.E. #43904, FLA S.I. #2008

BROMLEY-COOK ENGINEERING, INC.
 STRUCTURAL ENGINEERING SERVICES
 5440 N.W. 33RD AVENUE SUITE 100
 FORT LAUDERDALE, FLORIDA 33309
 TEL: (954) 772-4624 FAX: (954) 772-4634
 CERT. OF AUTH. #00009124

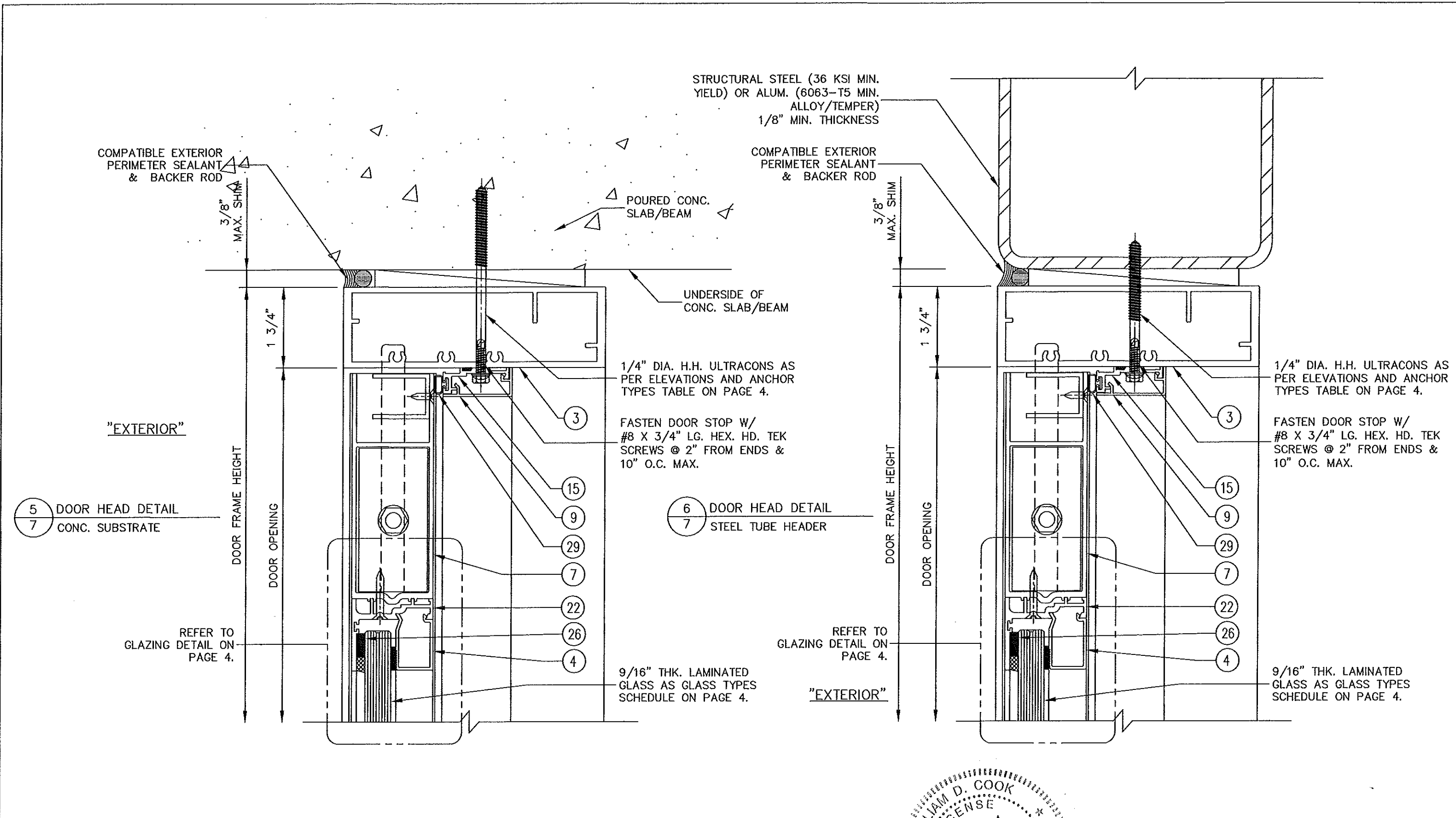


PRODUCT NAME: SUMMIT+ ALUMINUM OUTSWING DOOR SYSTEM - LMI		
DRAWING NUMBER: SUMMIT+OS.LMI	DRAW BY: M.G.	PRODUCT APPROVAL NO.: FL27984.1
SHT. 6 OF 16	SCALE: 6"=1'-0"	DATE: 08/17/18



ALDORA
 ALUMINUM AND GLASS PRODUCTS, INC.
 11500 MIRAMAR PKWY. SUITE 300 MIRAMAR, FL. 33025
 PHONE: (954) 784-6900 FAX: (954) 784-6901

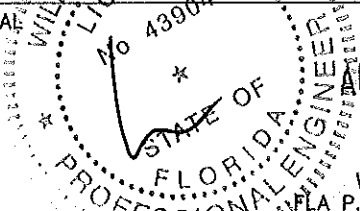
SEAL
 WILLIAM D. COOK
 LICENSE
 No 43904
 STATE OF FLORIDA
 PROFESSIONAL ENGINEER
 AUG 17 2018
 WILLIAM D. COOK P.E.
 FLA P.E. #43904, FLA S.I. #2008

BROMLEY-COOK ENGINEERING, INC.
 STRUCTURAL ENGINEERING SERVICES
 5440 N.W. 33RD AVENUE SUITE 100
 FORT LAUDERDALE, FLORIDA 33309
 TEL: (954) 772-4624 FAX: (954) 772-4634
 CERT. OF AUTH. #00009124

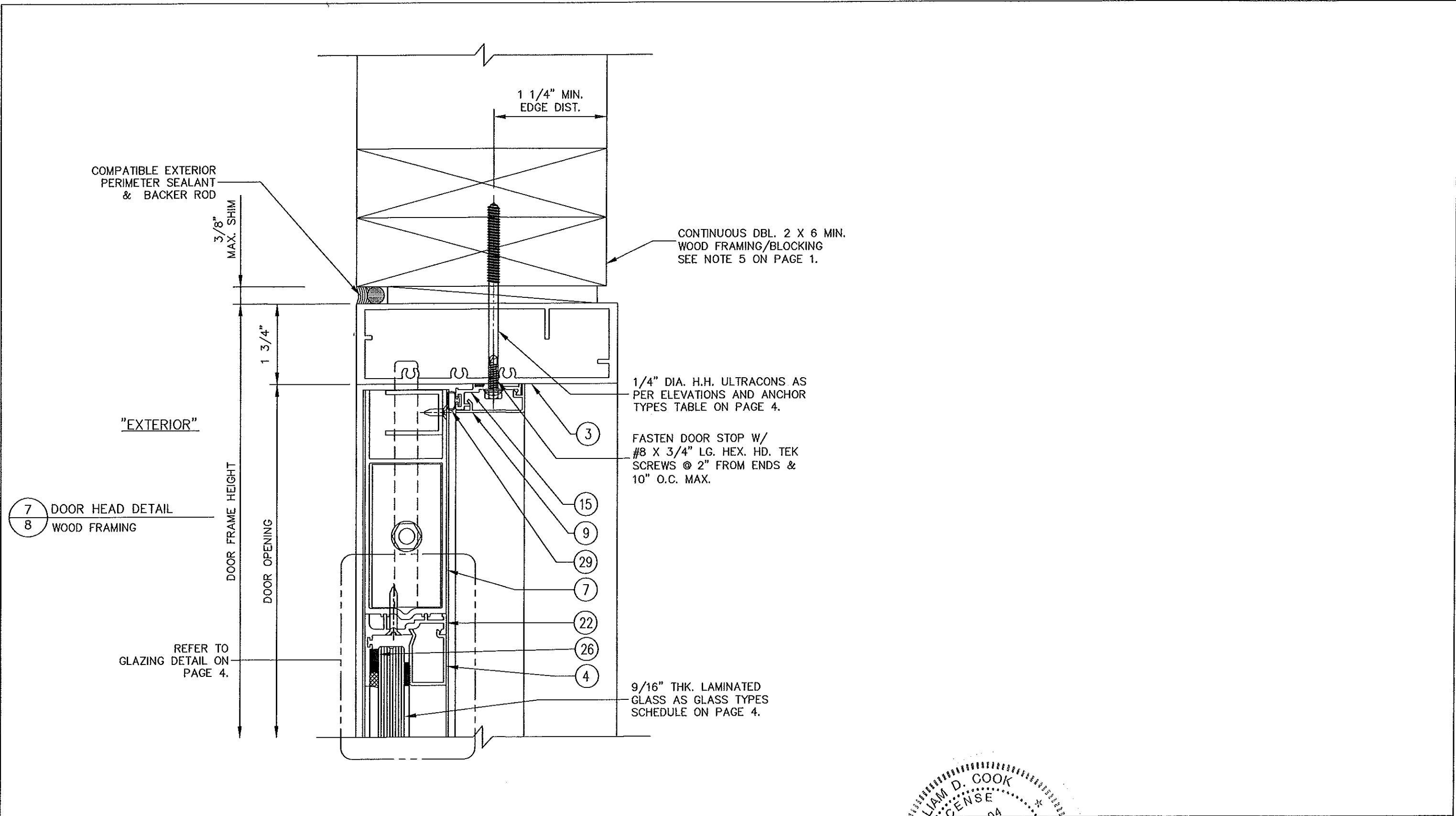


PRODUCT NAME: SUMMIT+ ALUMINUM OUTSWING DOOR SYSTEM - LMI		
DRAWING NUMBER: SUMMIT+OS.LMI	DRAW BY: M.G.	PRODUCT APPROVAL NO.: FL27984.1
SHT. 7 of 16	SCALE: 6"=1'-0"	DATE: 08/17/18


ALDORA
 ALUMINUM AND GLASS PRODUCTS, INC.
 11500 MIRAMAR PKWY. SUITE 300 MIRAMAR, FL. 33025
 PHONE: (954) 784-6900 FAX: (954) 784-6901

SEAL: 
 WILLIAM D. COOK P.E.
 FLA P.E. #43904, FLA S.I. #2008


BROMLEY•COOK ENGINEERING, INC.
 STRUCTURAL ENGINEERING SERVICES
 5440 N.W. 33RD AVENUE SUITE 100
 FORT LAUDERDALE, FLORIDA 33309
 TEL: (954) 772-4624 FAX: (954) 772-4634
 CERT. OF AUTH. #00009124




7 DOOR HEAD DETAIL
8 WOOD FRAMING

REFER TO
GLAZING DETAIL ON
PAGE 4.

PRODUCT NAME: SUMMIT+ ALUMINUM OUTSWING DOOR SYSTEM - LMI		
DRAWING NUMBER: SUMMIT+OS.LMI	DRAW BY: M.G.	PRODUCT APPROVAL NO.: FL27984.1
SHT. 8 OF 16	SCALE: 6"=1'-0"	DATE: 08/17/18


ALDORA
ALUMINUM AND GLASS PRODUCTS, INC.
 11500 MIRAMAR PKWY. SUITE 300 MIRAMAR, FL. 33025
 PHONE: (954) 784-6900 FAX: (954) 784-6901

SEAL

 WILLIAM D. COOK P.E.
 #43904, FLA S.I. #2008

BROMLEY•COOK ENGINEERING, INC.
 STRUCTURAL ENGINEERING SERVICES
 5440 N.W. 33RD AVENUE SUITE 100
 FORT LAUDERDALE, FLORIDA 33309
 TEL: (954) 772-4624 FAX: (954) 772-4634
 CERT. OF AUTH. #00009124

CONTINUOUS
1" X 4" MIN. NO. 2
SOUTHERN YELLOW PINE
WOOD BUCK
(SEE NOTE 5 ON PAGE 1.)

8" CONC. BLOCK WALL
WITH GROUT FILLED CELL OR
OR CONC. COLUMN

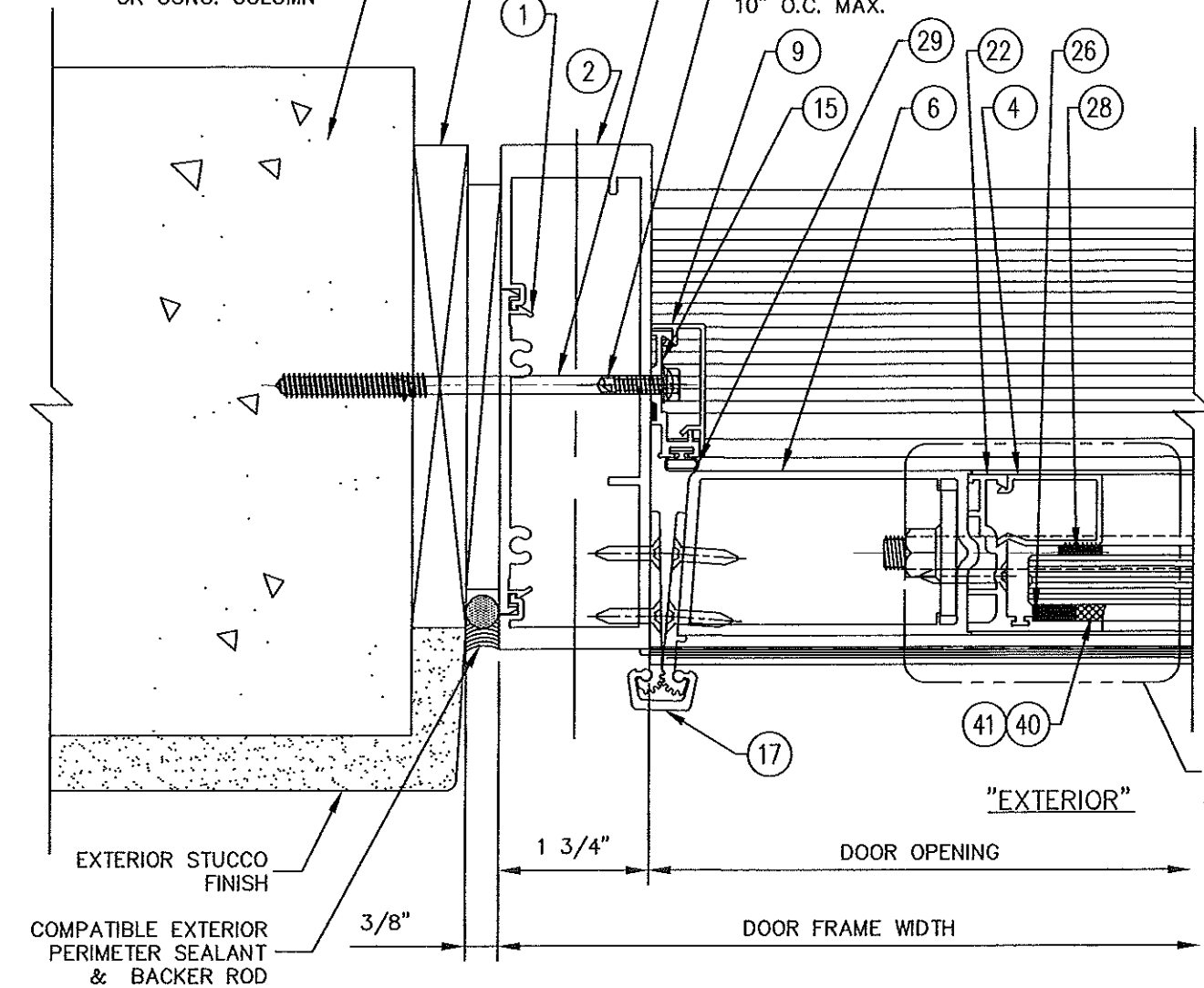
1/4" DIA. H.H. ULTRACONS AS
PER ELEVATIONS AND ANCHOR
TYPES TABLE ON PAGE 4.

FASTEN DOOR STOP W/
#8 X 3/4" LG. HEX. HD. TEK
SCREWS @ 2" FROM ENDS &
10" O.C. MAX.

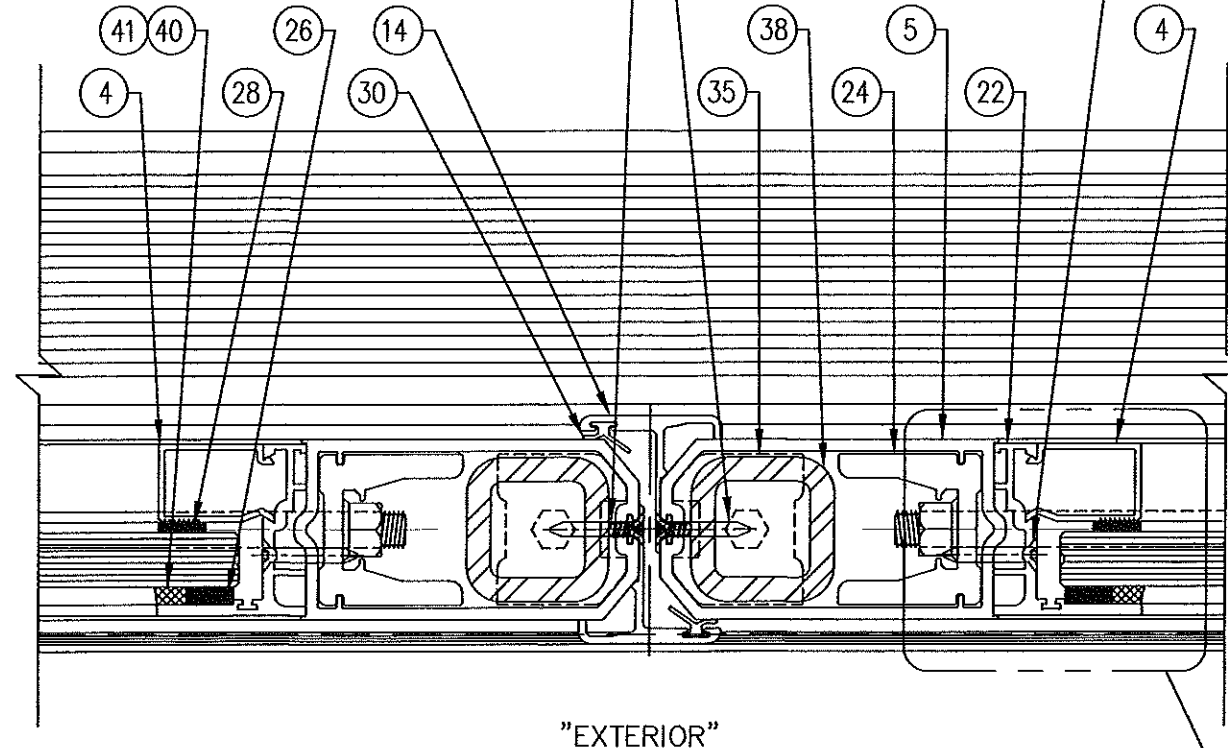
#10 X 1" LG.
F.H. PH. S.S.S.M.S. UNDERCUT
(2 PER STL. TUBE).

#8 X 3/8" LG.
F.H. PH. S.S.S.M.S. TYPE "B" @ 8" O.C.
(NOT ENGAGING W/ STL. TUBES)

#10 X 1" LG. F.H. PH.
S.S.S.M.S.



REFER TO
GLAZING DETAIL ON
PAGE 4.



REFER TO
GLAZING DETAIL ON
PAGE 4.

- 8 DOOR JAMB DETAIL
- 9 CONC. SUBSTRATE WITH 1 X WOOD BUCK

- 9 DOOR MEEETING STILES
- 9 WITH WATER RESISTANT WEATHER STRIPPING/ASTRAGAL

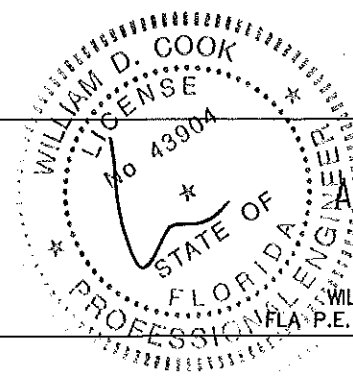
PRODUCT NAME: SUMMIT+ ALUMINUM OUTSWING DOOR SYSTEM - LMI		
DRAWING NUMBER: SUMMIT+OS.LMI	DRAW BY: M.G.	PRODUCT APPROVAL NO.: FL27984.1
SHT. 9 OF 16	SCALE: 6"=1'-0"	DATE: 08/17/18



ALDORA

ALUMINUM AND GLASS PRODUCTS, INC.
11500 MIRAMAR PKWY. SUITE 300 MIRAMAR, FL. 33025
PHONE: (954) 784-6900 FAX: (954) 784-6901

SEAL



AUG 17 2018

WILLIAM D. COOK P.E.
FLA. P.E. #43904, FLA S.I. #2008

BROMLEY•COOK ENGINEERING, INC.
STRUCTURAL ENGINEERING SERVICES
5440 N.W. 33RD AVENUE SUITE 100
FORT LAUDERDALE, FLORIDA 33309
TEL: (954) 772-4624 FAX: (954) 772-4634
CERT. OF AUTH. #00009124

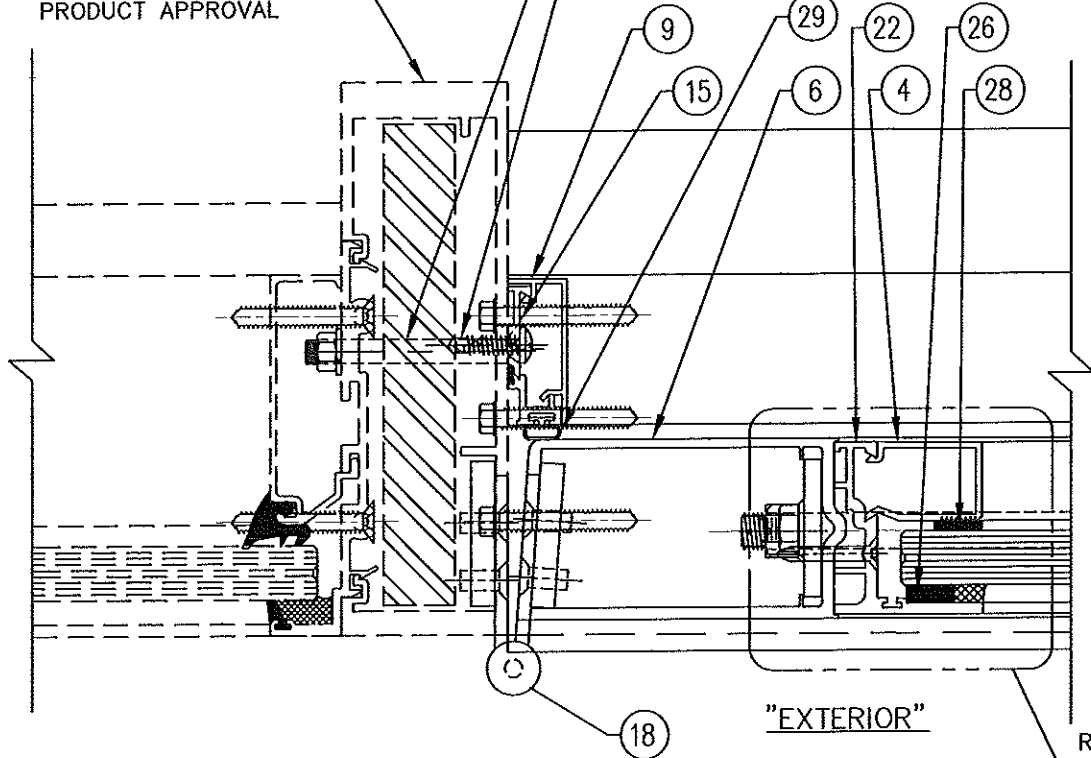
ALDORA ALUMINUM & GLASS
PRODUCTS ALUMINUM
STOREFRONT/ WINDOW WALL
SYSTEM AS PER SEPARATE
PRODUCT APPROVAL

(3) 1/4" ϕ - 20 X 2 1/4" LG. FT. HD.
PH. BOLTS ST/ST W/NUT &
WASHER AT 4" FROM ENDS & MID
SPAN
#8 X 3/4" LG. HEX. HD. TEKS
SCREWS

9/16" THK. LAMINATED GLASS
(REFER TO THE CHART FOR SPECS)

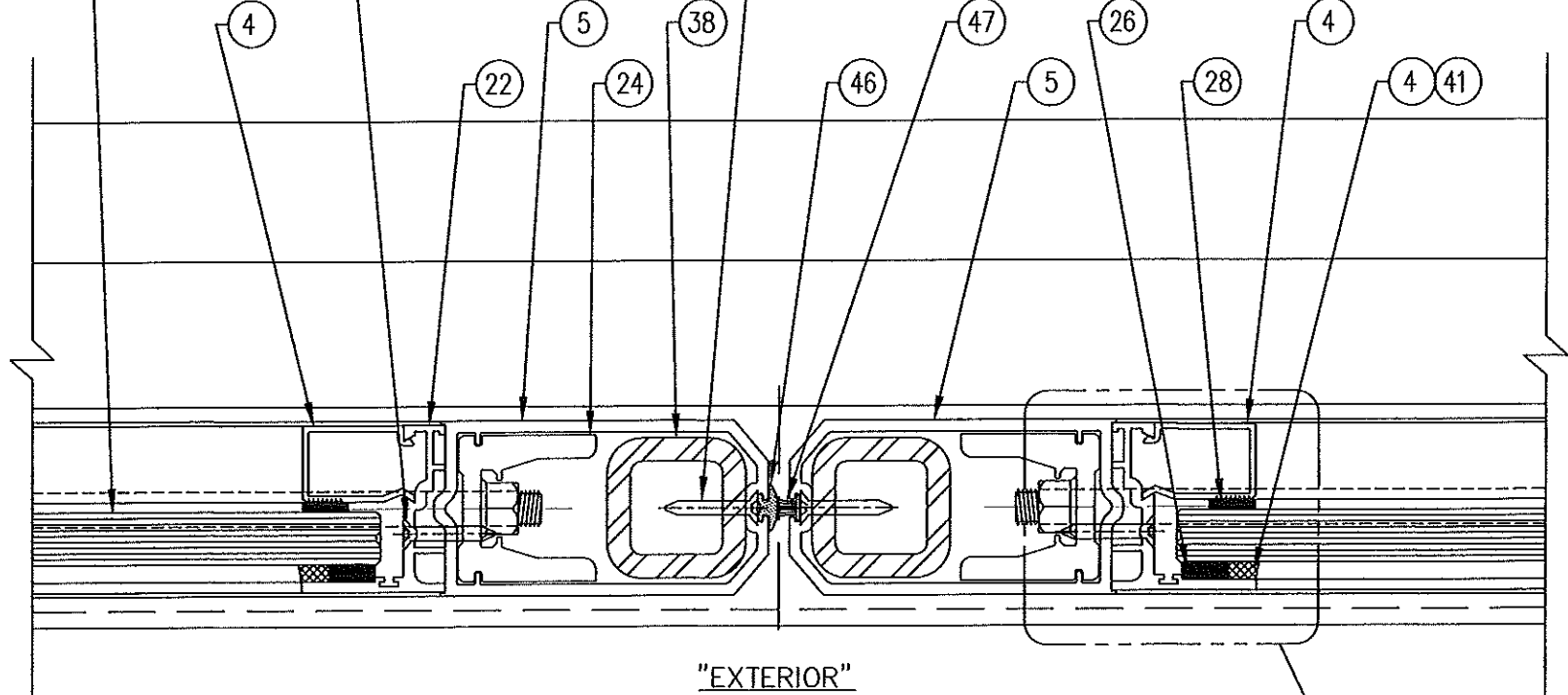
#10 X 1" LG. FT. HD. PH.
SMS. ST/ST.

#10 X 1" LG.
FT. HD. PH. SMS. ST/ST.
UNDERCUT
(2 PER STL. TUBE).



10 DOOR JAMB DETAIL
10 AT INTERMEDIATE VERTICAL
MULLION


REFER TO
GLAZING DETAIL ON
PAGE 4.

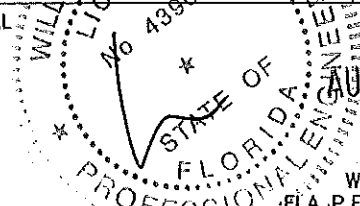


11 DOOR MEEETING STILES
10 NON-WATER RESISTANT
WEATHER STRIPPING

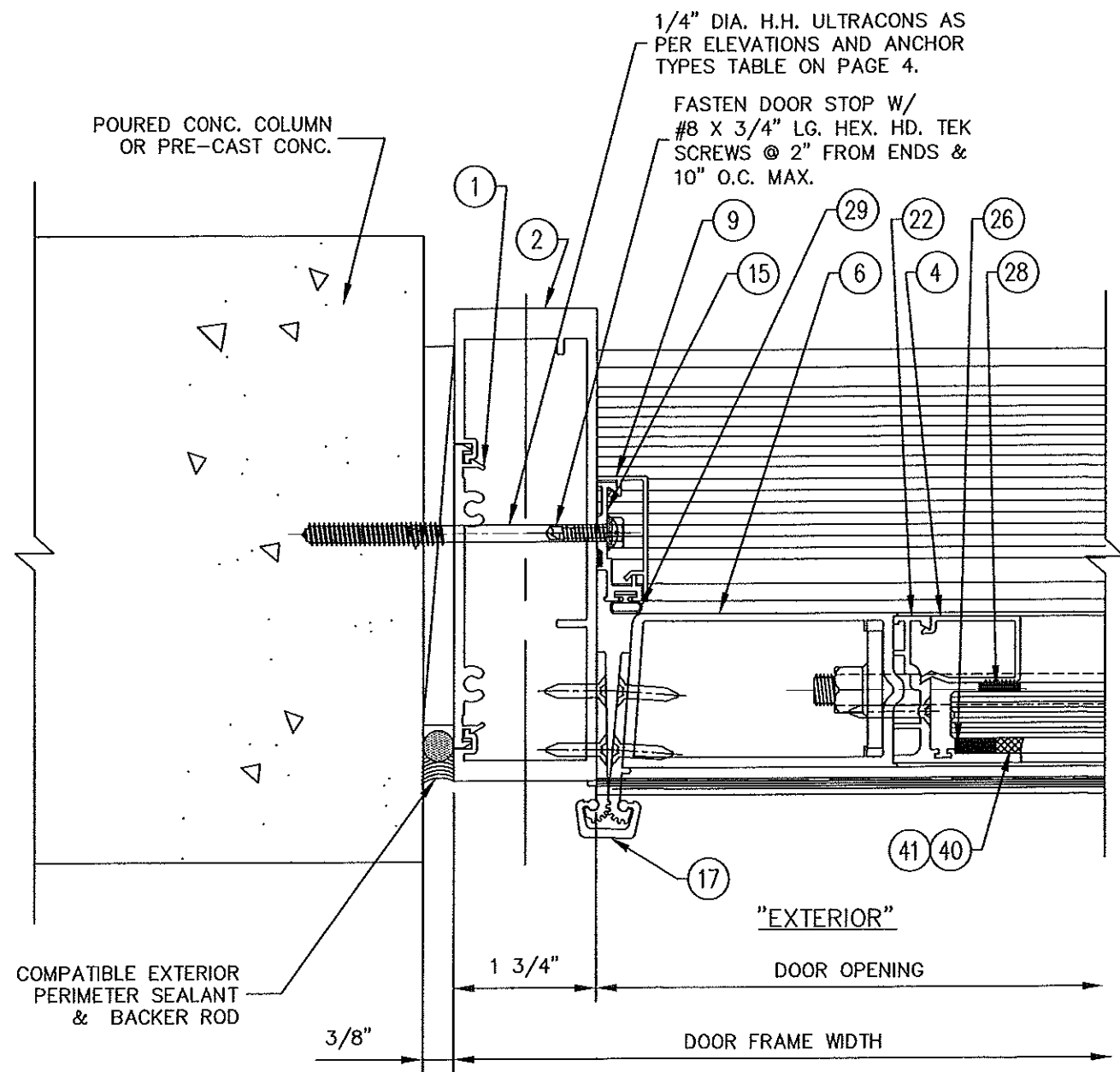
REFER TO
GLAZING DETAIL ON
PAGE 4.

PRODUCT NAME: SUMMIT+ ALUMINUM OUTSWING DOOR SYSTEM - LMI		
DRAWING NUMBER: SUMMIT+OS.LMI	DRAW BY: M.G.	PRODUCT APPROVAL NO.: FL27984.1
SHT. 10 of 16	SCALE: 6"=1'-0"	DATE: 08/17/18

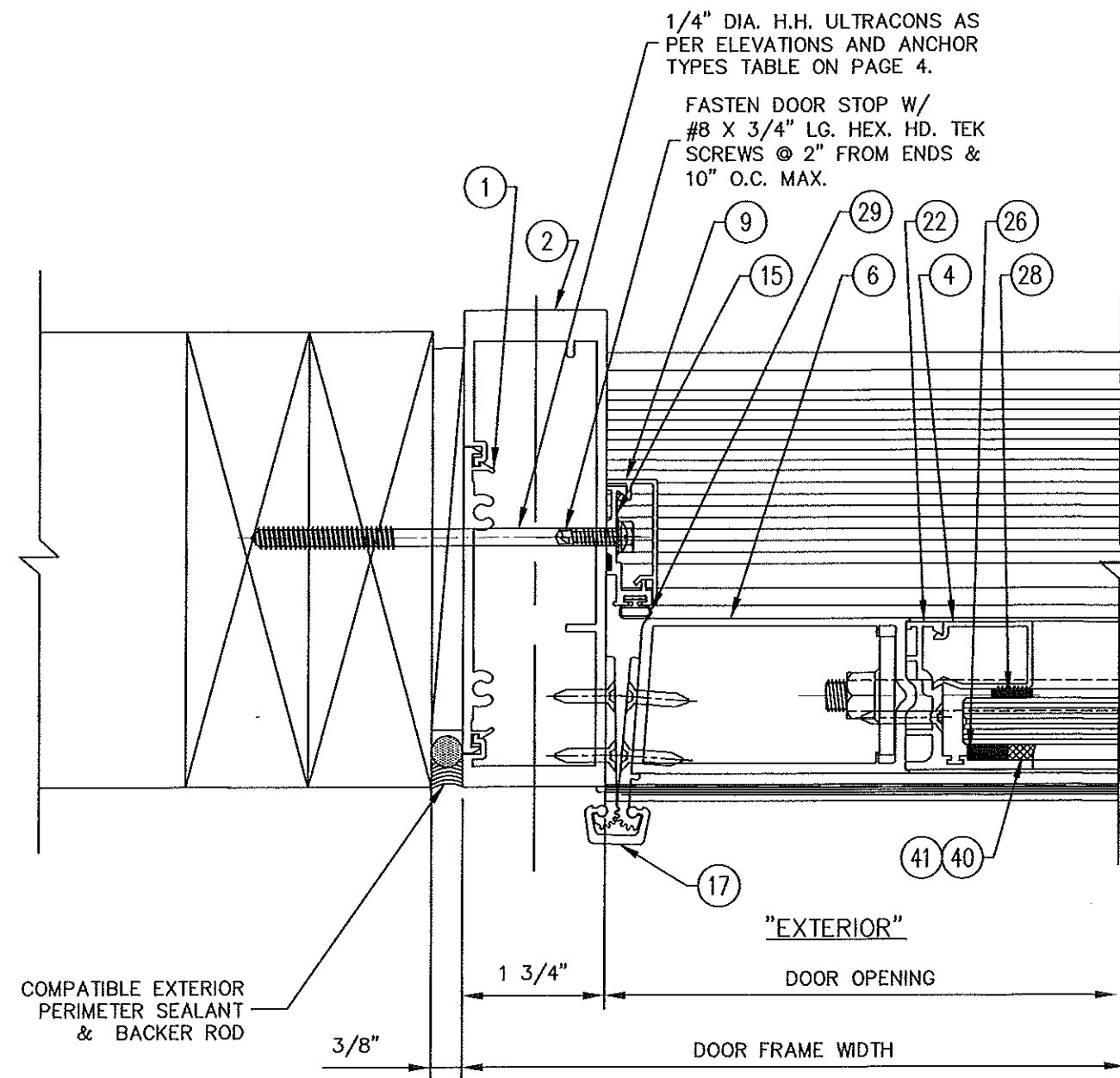

ALDORA
 ALUMINUM AND GLASS PRODUCTS, INC.
 11500 MIRAMAR PKWY. SUITE 300 MIRAMAR, FL. 33025
 PHONE: (954) 784-6900 FAX: (954) 784-6901

SEAL

 WILLIAM D. COOK P.E.
 FLA. P.E. #43904, FLA. S.I. #2008

BROMLEY-COOK ENGINEERING, INC.
 STRUCTURAL ENGINEERING SERVICES
 5440 N.W. 33RD AVENUE SUITE 100
 FORT LAUDERDALE, FLORIDA 33309
 TEL: (954) 772-4624 FAX: (954) 772-4634
 CERT. OF AUTH. #00009124





12 DOOR JAMB DETAIL
11 CONC. SUBSTRATE



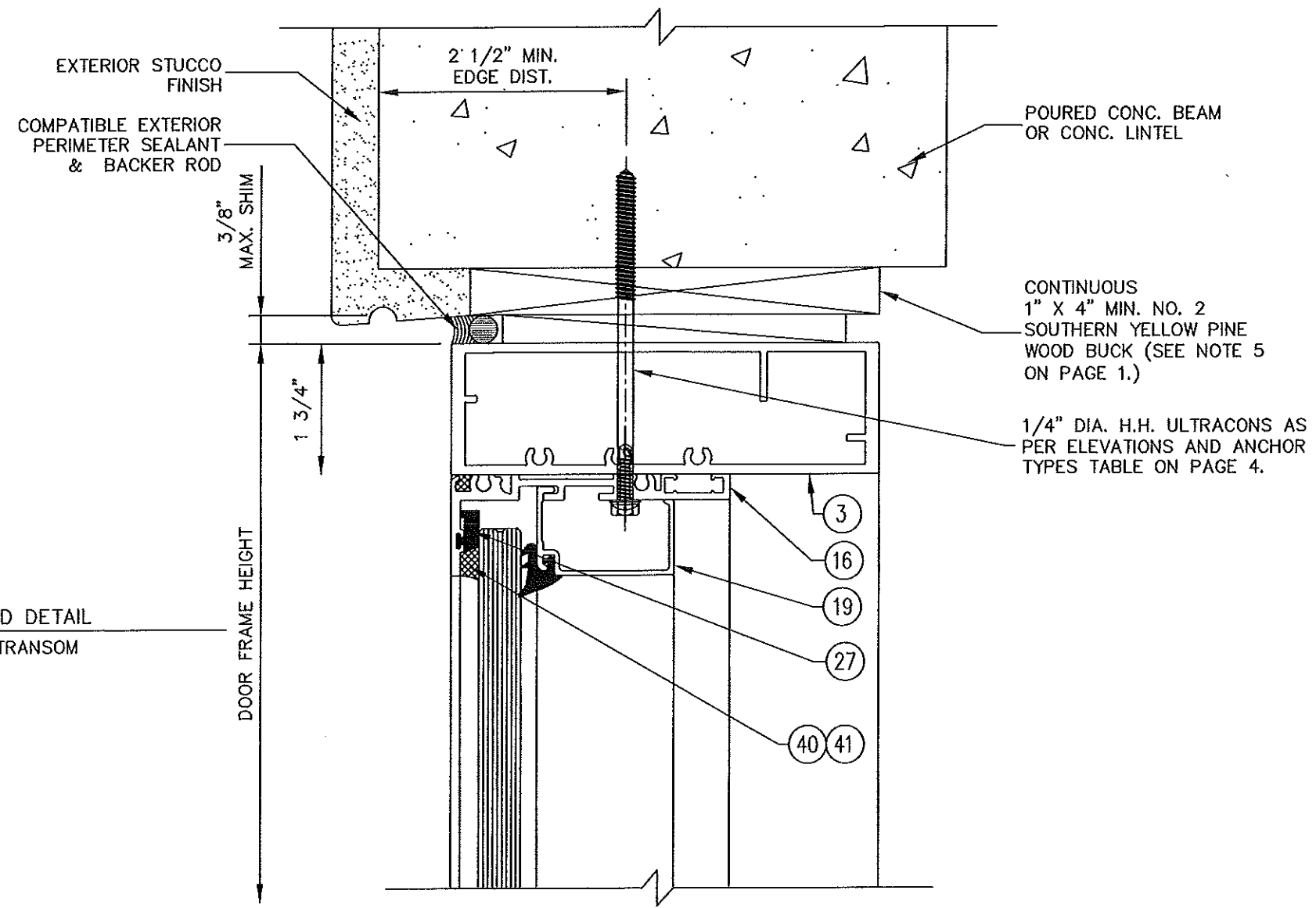
13 DOOR JAMB DETAIL
11 WOOD FRAMING
SEE NOTE 5 ON PAGE 1.

PRODUCT NAME: SUMMIT+ ALUMINUM OUTSWING DOOR SYSTEM - LMI		
DRAWING NUMBER: SUMMIT+OS.LMI	DRAW BY: M.G.	PRODUCT APPROVAL NO.: FL27984.1
SHT. 11 of 16	SCALE: 6"=1'-0"	DATE: 08/17/18


ALDORA
ALUMINUM AND GLASS PRODUCTS, INC.
 11500 MIRAMAR PKWY. SUITE 300 MIRAMAR, FL. 33025
 PHONE: (954) 784-6900 FAX: (954) 784-6901


SEAL

 WILLIAM D. COOK P.E.
 FLA P.E. #43904, FLA S.I. #2008

BROMLEY•COOK ENGINEERING, INC.
 STRUCTURAL ENGINEERING SERVICES
 5440 N.W. 33RD AVENUE SUITE 100
 FORT LAUDERDALE, FLORIDA 33309
 TEL: (954) 772-4624 FAX: (954) 772-4634
 CERT. OF AUTH. #00009124

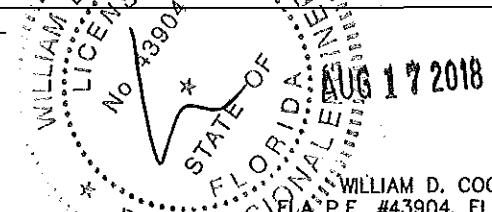


14 HEAD DETAIL
12 AT TRANSOM

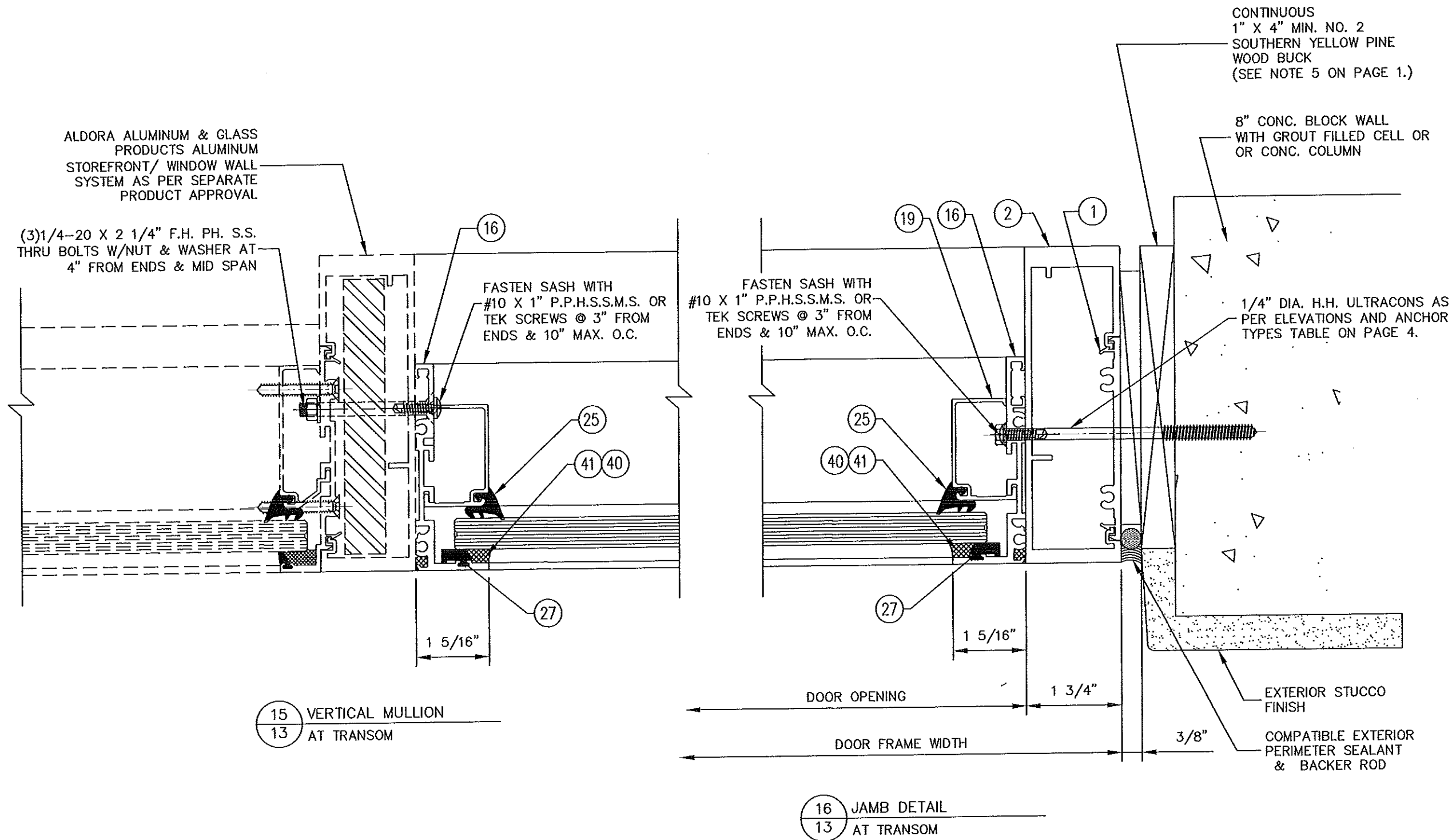
PRODUCT NAME: SUMMIT+ ALUMINUM OUTSWING DOOR SYSTEM - LMI		
DRAWING NUMBER: SUMMIT+OS,LMI	DRAW BY: M.G.	PRODUCT APPROVAL NO.: FL27984.1
SHT. 12 OF 16	SCALE: 6"=1'-0"	DATE: 08/17/18


ALDORA
ALUMINUM AND GLASS PRODUCTS, INC.
 11500 MIRAMAR PKWY. SUITE 300 MIRAMAR, FL. 33025
 PHONE: (954) 784-6900 FAX: (954) 784-6901


SEAL


 WILLIAM D. COOK P.E.
 #43904, FLA S.I. #2008

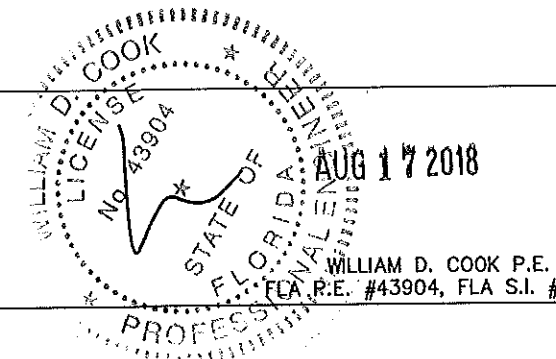
BROMLEY•COOK ENGINEERING, INC.
 STRUCTURAL ENGINEERING SERVICES
 5440 N.W. 33RD AVENUE SUITE 100
 FORT LAUDERDALE, FLORIDA 33309
 TEL: (954) 772-4624 FAX: (954) 772-4634
 CERT. OF AUTH. #00009124



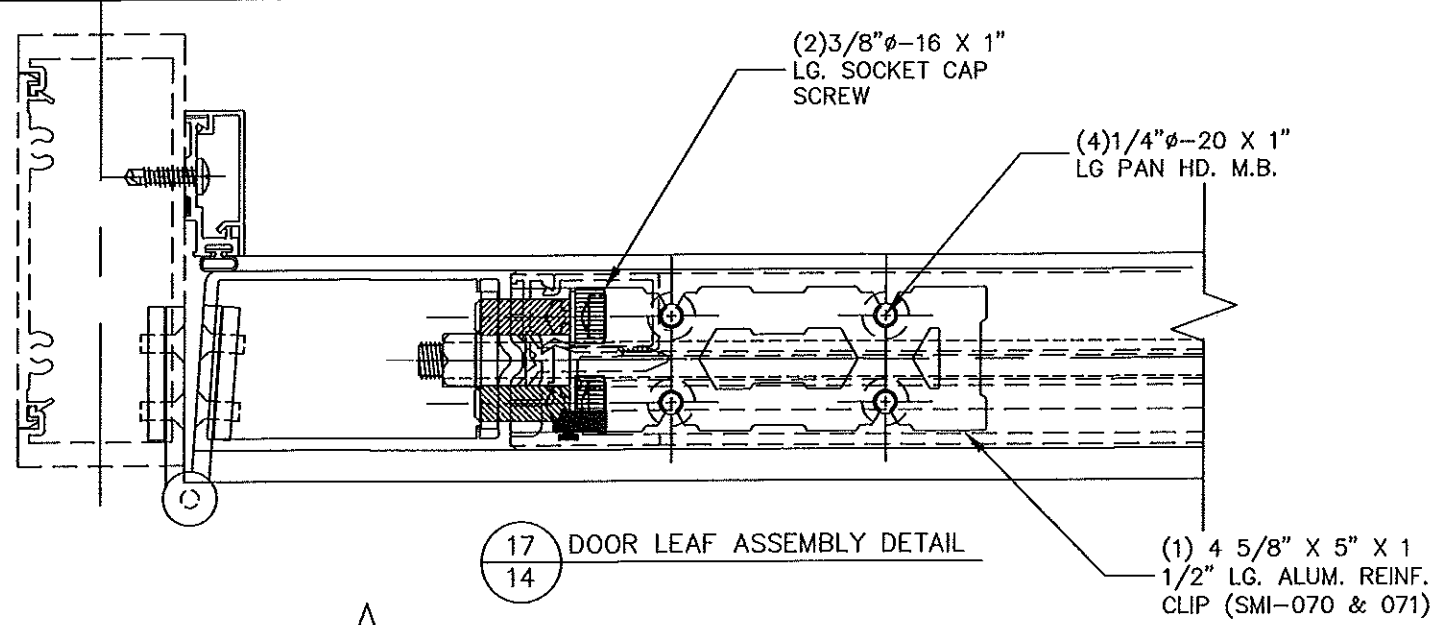
PRODUCT NAME: SUMMIT+ ALUMINUM OUTSWING DOOR SYSTEM - LMI		
DRAWING NUMBER: SUMMIT+OS.LMI	DRAW BY: M.G.	PRODUCT APPROVAL NO.: FL27984.1
SHT. 13 of 16	SCALE: 6"=1'-0"	DATE: 08/17/18


ALDORA
 ALUMINUM AND GLASS PRODUCTS, INC.
 11500 MIRAMAR PKWY. SUITE 300 MIRAMAR, FL. 33025
 PHONE: (954) 784-6900 FAX: (954) 784-6901

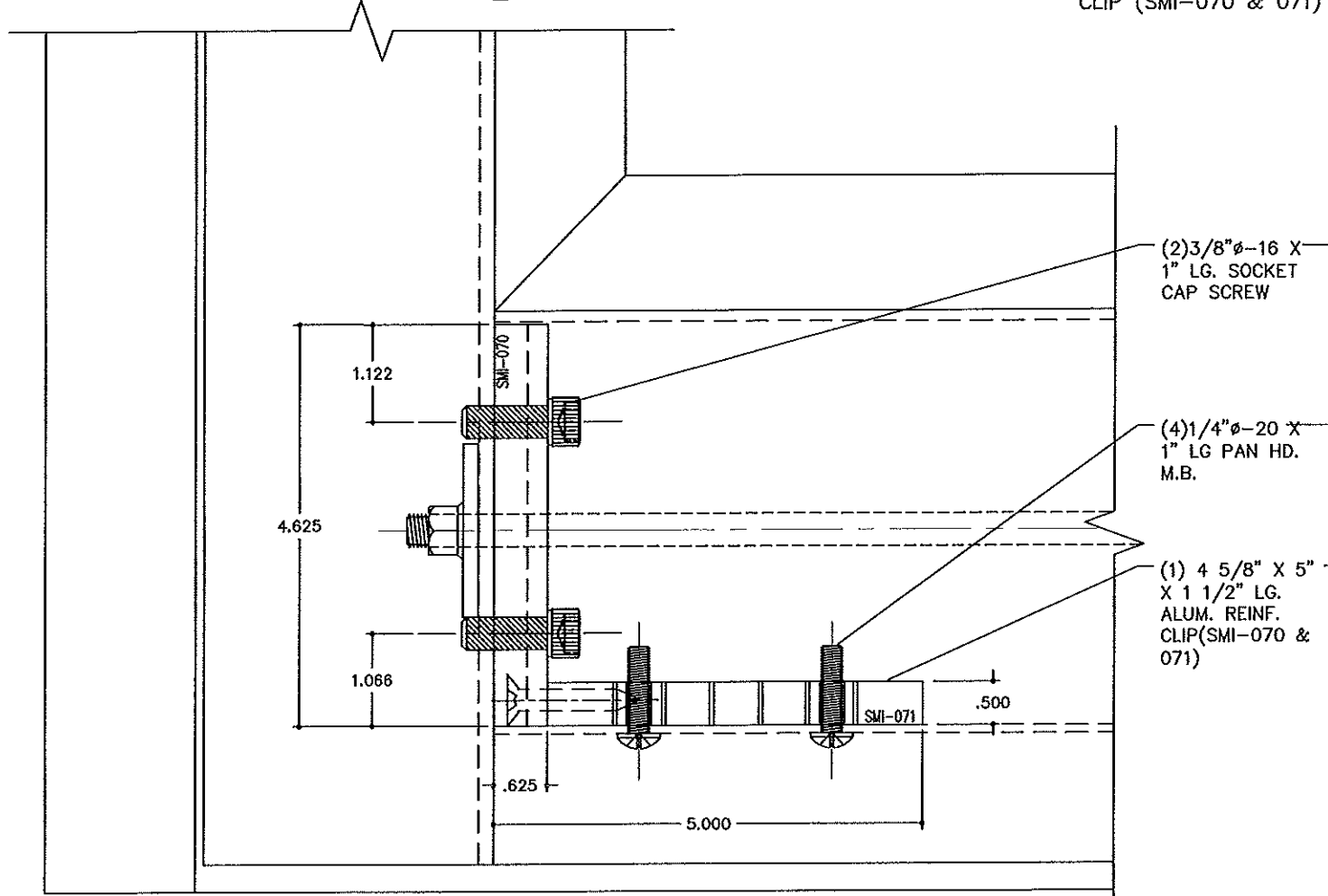
SEAL


 WILLIAM D. COOK P.E.
 FEA R.E. #43904, FLA S.I. #2008

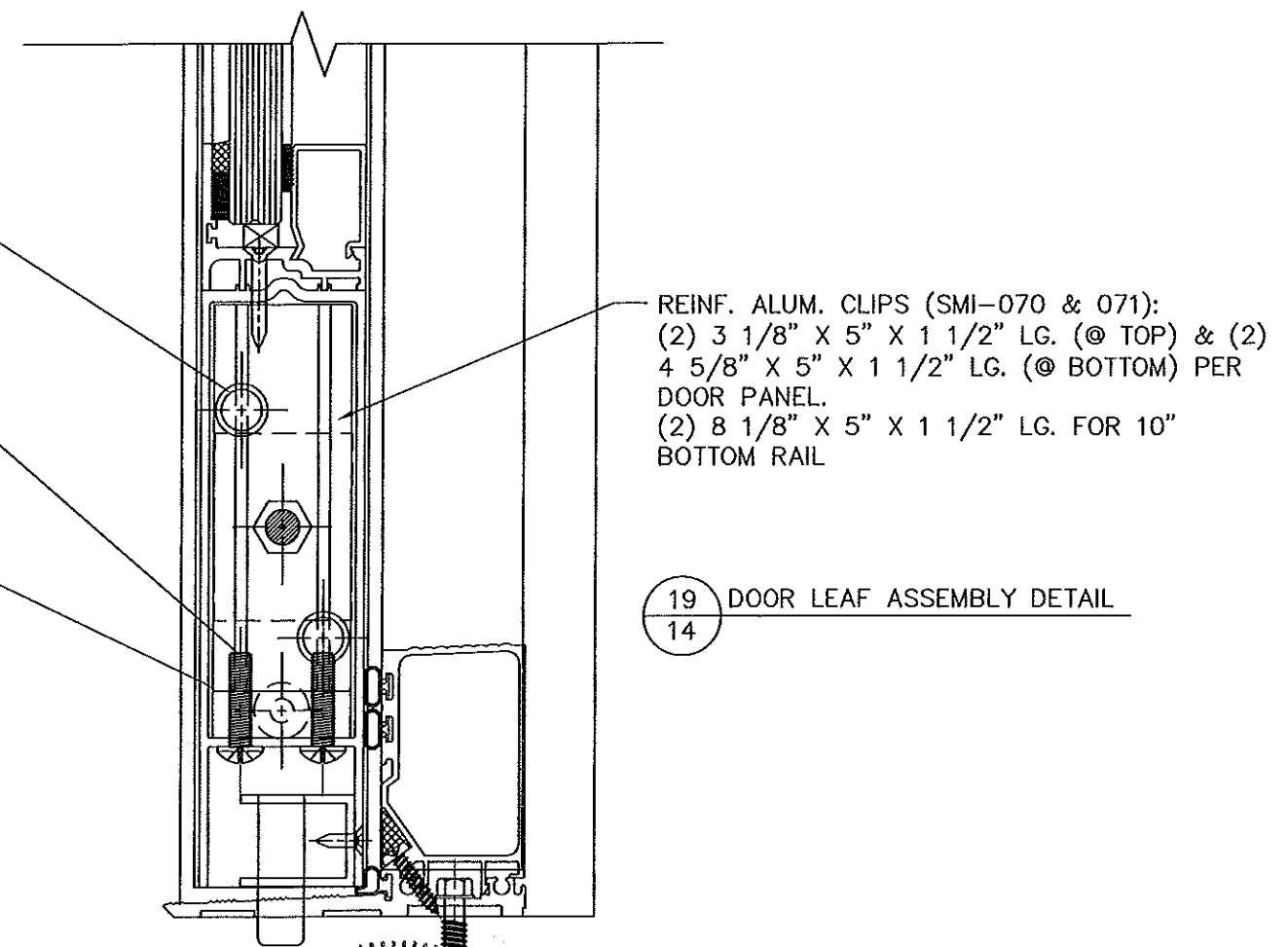
BROMLEY•COOK ENGINEERING, INC.
 STRUCTURAL ENGINEERING SERVICES
 5440 N.W. 33RD AVENUE SUITE 100
 FORT LAUDERDALE, FLORIDA 33309
 TEL: (954) 772-4624 FAX: (954) 772-4634
 CERT. OF AUTH. #00009124



17 DOOR LEAF ASSEMBLY DETAIL
14




18 DOOR LEAF ASSEMBLY DETAIL
14

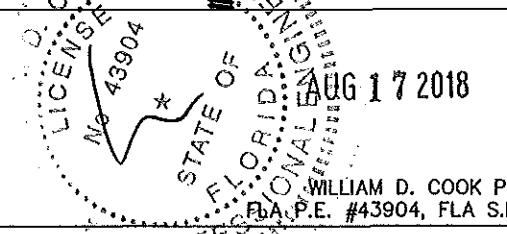


19 DOOR LEAF ASSEMBLY DETAIL
14

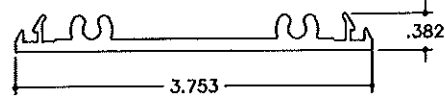
PRODUCT NAME: SUMMIT+ ALUMINUM OUTSWING DOOR SYSTEM - LMI		
DRAWING NUMBER: SUMMIT+OS.LMI	DRAW BY: M.G.	PRODUCT APPROVAL NO.: FL27984.1
SHT. 14 OF 16	SCALE: 6"=1'-0"	DATE: 08/17/18


ALDORA
 ALUMINUM AND GLASS PRODUCTS, INC.
 11500 MIRAMAR PKWY. SUITE 300 MIRAMAR, FL. 33025
 PHONE: (954) 784-6900 FAX: (954) 784-6901

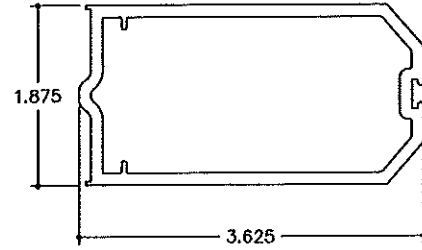
SEAL


 WILLIAM D. COOK P.E.
 FLA. P.E. #43904, FLA S.I. #2008

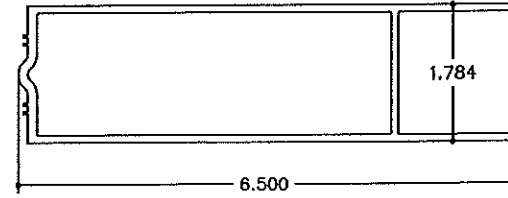
BROMLEY•COOK ENGINEERING, INC.
 STRUCTURAL ENGINEERING SERVICES
 5440 N.W. 33RD AVENUE SUITE 100
 FORT LAUDERDALE, FLORIDA 33309
 TEL: (954) 772-4624 FAX: (954) 772-4634
 CERT. OF AUTH. #00009124



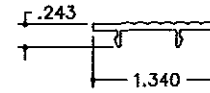
① SMI-004
PLAIN SNAP



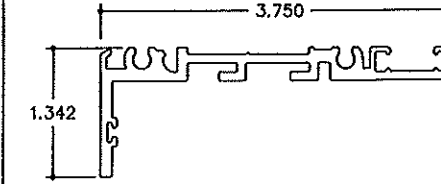
⑤ SMI-009
ACTIVE STILE



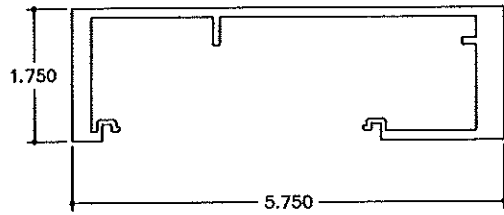
⑧ SMI-013
BOTTOM RAIL



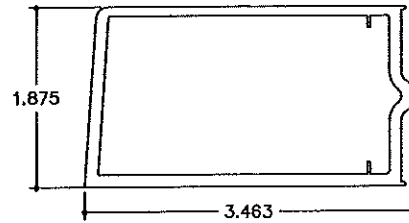
⑫ SMI-038
ADA THRESHOLD COVER



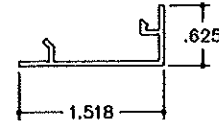
⑯ SMI-PW001
PICTURE WINDOW @ TRANSOM



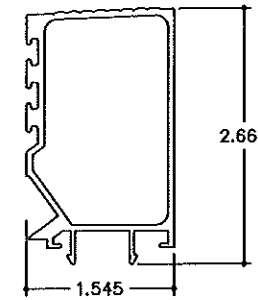
② SMI-076
FRAME JAMB



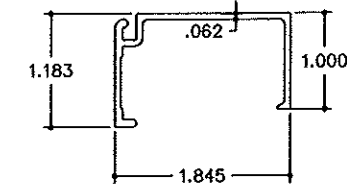
⑥ SMI-011
HINGE STILE



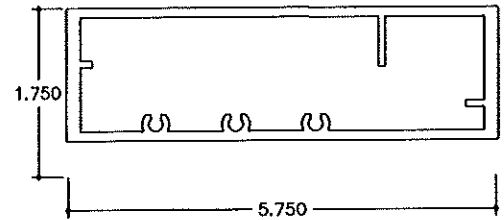
⑨ SMI-015
DOOR STOP COVER



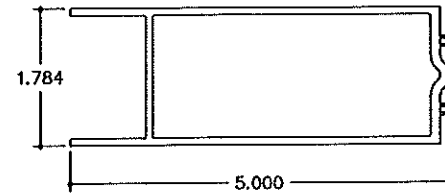
⑬ SMI-039
HI RISE THRESHOLD COVER



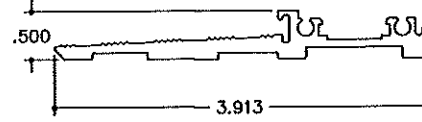
⑰ SMI-092
GLASS STOP



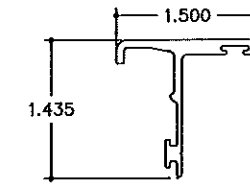
③ SMI-077
FRAME HEAD



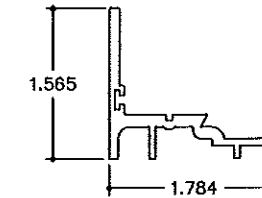
⑦ SMI-012
TOP RAIL



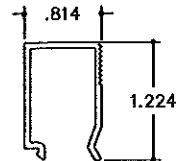
⑩ SMI-036
BUMPER THRESHOLD BASE



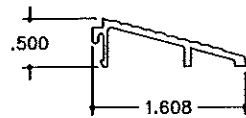
⑭ SMI-058
ASTRAGAL



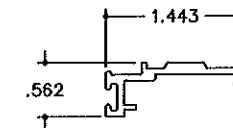
⑳ SMI-096
DOOR SASH BASE



④ SMI-008
DOOR SASH STOP



⑪ SMI-037
THRESHOLD RAMP ADAPTER



⑮ SMI-044
DOOR STOP BASE

PRODUCT NAME:
SUMMIT+ ALUMINUM OUTSWING DOOR SYSTEM - LMI

DRAWING NUMBER:
SUMMIT+OS.LMI

DRAW BY:
M.G.

PRODUCT APPROVAL NO.:
FL27984.1

SHT. 15 of 16

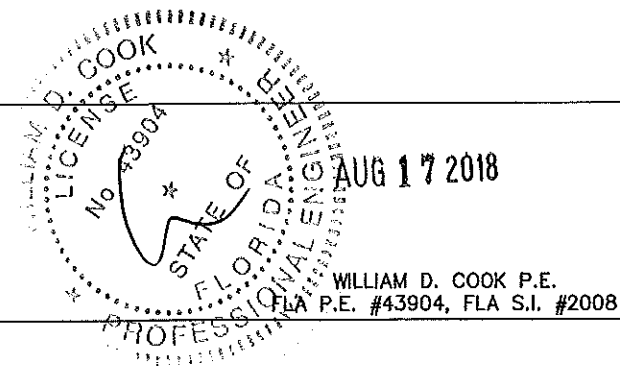
SCALE:
N/A

DATE:
08/17/18



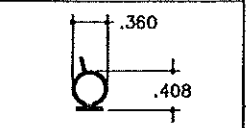
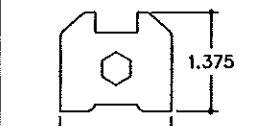
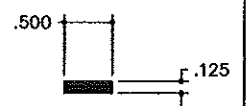
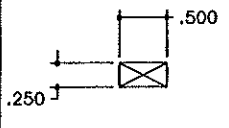
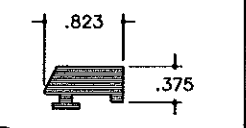
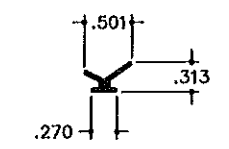
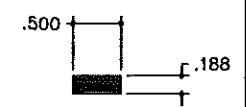
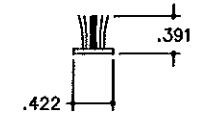
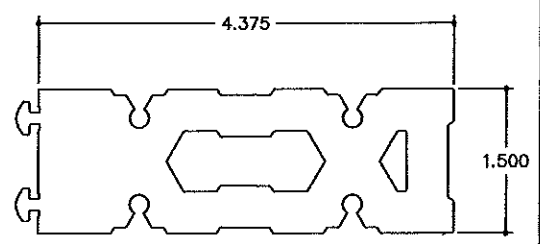
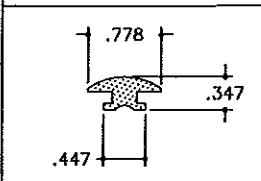
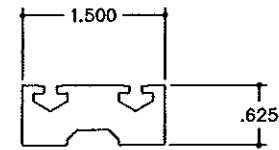
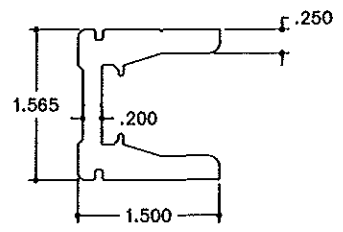
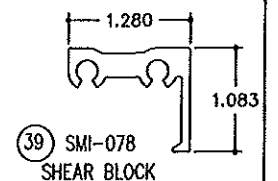
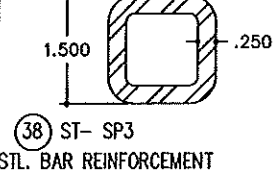
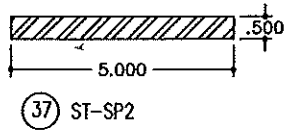
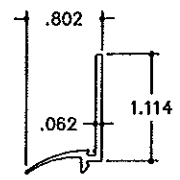
ALUMINUM AND GLASS PRODUCTS, INC.
11500 MIRAMAR PKWY. SUITE 300 MIRAMAR, FL. 33025
PHONE: (954) 784-6900 FAX: (954) 784-6901

SEAL



BROMLEY•COOK ENGINEERING, INC.
STRUCTURAL ENGINEERING SERVICES
5440 N.W. 33RD AVENUE SUITE 100
FORT LAUDERDALE, FLORIDA 33309
TEL: (954) 772-4624 FAX: (954) 772-4634
CERT. OF AUTH. #00009124

WILLIAM D. COOK P.E.
FLA P.E. #43904, FLA S.I. #2008




BILL OF MATERIALS

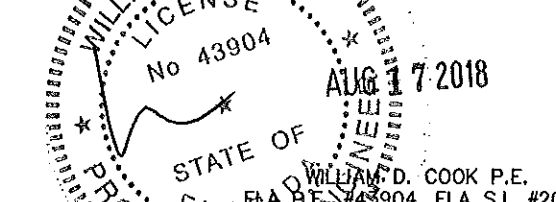
ITEM #	PART #	QTY.	DESCRIPTION	MATERIAL	MANUF. / SUPPLIER / REMARKS
1	SMI-004	AS REQ'D	PLAN SNAP	6063-T6	-
2	SMI-076	AS REQ'D	FRAME JAMB	6005-T5	-
3	SMI-077	AS REQ'D	FRAME HEAD	6005-T5	-
4	SMI-008	AS REQ'D	DOOR SASH STOP	6063-T6	-
5	SMI-009	AS REQ'D	ACTIVE / INACTIVE STILE	6063-T6	-
6	SMI-011	AS REQ'D	HINGE STILE	6063-T6	-
7	SMI-012	AS REQ'D	TOP RAIL	6063-T6	-
8	SMI-013	AS REQ'D	BOTTOM RAIL	6063-T6	-
9	SMI-015	AS REQ'D	DOOR STOP COVER	6063-T6	-
10	SMI-036	AS REQ'D	BUMPER THRESHOLD BASE	6063-T6	-
11	SMI-037	AS REQ'D	THRESHOLD RAMP ADAPTOR	6063-T6	-
12	SMI-038	AS REQ'D	ADA THRESHOLD COVER	6063-T6	-
13	SMI-039	AS REQ'D	HI-RISE THRESHOLD COVER	6063-T6	-
14	SMI-058	AS REQ'D	ASTRAGAL	6063-T6	-
15	SMI-044	AS REQ'D	DOOR STOP BASE	6063-T6	-
16	SMI-PW001	AS REQ'D	PICTURE WINDOW @ TRANSOM	6063-T6	-
17	_FM_SLI	AS REQ'D	CONTINUOUS GEAR HINGE	6063-T6	PEMCO/ASSA ABL0Y
18	4001	4 PER LEAF	4" X 4 1/2" STAINLESS STEEL BALL BEARING BUTT HINGE	S.S.	REGENT
19					
20					
21					
22	SMI-096	AS REQ'D	DOOR SASH BASE	6063-T6	-
23	SMI-097	AS REQ'D	DOOR SASH STOP	6063-T6	-
23A	SMI-G13A	AS REQ'D	SPACER/ RETAINER GASKET	SANTOPRENE	MELTPONT PLASTICS
24	SMI-051	AS REQ'D	DOOR STILE ALUM. REINF.	6005-T5	-
25	SMI-G01	AS REQ'D	GASKET (Ø INTERIOR)	EPDM	TREMCO
26	SMI-G12	AS REQ'D	DOUBLE FACE FOAM TAPE (3/16" X 1/2")	VNYL FOAM	FRANK LOWE
27	SMI-G07	AS REQ'D	GASKET (Ø EXTERIOR)	SANTOPRENE	CENTRAL PLASTICS, INC.
28	SMI-G11	AS REQ'D	SINGLE FACE FOAM TAPE (1/8" X 1/2")	VNYL FOAM	FRANK LOWE
29	SMI-B01	AS REQ'D	.385 DIA. BULB	RIGID PVC	CENTRAL PLASTICS, INC.
30	SMI-G20	AS REQ'D	ASTRAGAL FLAP	VNYL	PEMCO
31	SMI-SB03	2 PER GL.	SETTING BLOCKS (1/4" X 1/2" X 2" LG.)	EPDM	TREMCO
32			NOT USED		
33	SMI-SB06	2 PER GL.	SETTING BLOCKS (3/8" X 5/8" X 4" LG.)	EPDM	TREMCO
34			NOT USED		
35	SMI-067	AS REQ'D	2" LG. ALUM. PIN GUIDE REINFORCEMENT	6005-T5	-
36			NOT USED		
37		AS REQ'D	5" X 1/2" THK. STL. REINFORCEMENT	STEEL	-
38	ST-SP3	AS REQ'D	1 1/2" X 1 1/2" X 1/4" THK. STL. TUBE REINFORCEMENT (2 PARTS PER DOOR STILE)	STEEL	-
39	SMI-078	AS REQ'D	SHEAR BLOCK	6005-T5	-
40	CWS	AS REQ'D	GLAZING COMPOUND	SILICONE	DOW CORNING
41	795	AS REQ'D	GLAZING COMPOUND	SILICONE	DOW CORNING
			NOT USED		
43	#12 X 1 1/2"	4/CORNER	FRAME ASSEMBLY SCREWS	ST. STEEL	HEX. & FT. HEAD SHEET METAL SCREW
44	SMI-070	AS REQ'D	CORNER KEY FEMALE ALUM. REINFORCEMENT	6005-T5	-
45	SMI-071	AS REQ'D	CORNER KEY MALE ALUM. REINFORCEMENT	6005-T5	-
46	SMI-P09	AS REQ'D	PLASTIC MEETING STILE FILLER	RIGID PVC	MELTPONT PLASTICS
47	SMI-W01	AS REQ'D	WOOL PILE	PILE	ULTRAFAB
48	1/4" x 20 X 1" LG.	4/CORNER	ASSEMBLY CORNER KEY ALUM. REINF.	ST. STEEL	HEX. HD. MACHINE BOLT
49	3/8" x 1" LG.	2/CORNER	ASSEMBLY CORNER KEY ALUM. REINF.	ST. STEEL	SOCKET CAP SCREW

NOT USED

PRODUCT NAME: SUMMIT+ ALUMINUM OUTSWING DOOR SYSTEM - LMI		
DRAWING NUMBER: SUMMIT+OS.LMI	DRAW BY: M.G.	PRODUCT APPROVAL NO.: FL27984.1
SHT. 16 OF 16	SCALE: N/A	DATE: 08/17/18


ALDORA
 ALUMINUM AND GLASS PRODUCTS, INC.
 11500 MIRAMAR PKWY. SUITE 300 MIRAMAR, FL. 33025
 PHONE: (954) 784-6900 FAX: (954) 784-6901

SEAL


 WILLIAM D. COOK P.E.
 No. 43904, FLA S.I. #2008

BROMLEY-COOK ENGINEERING, INC.
 STRUCTURAL ENGINEERING SERVICES
 5440 N.W. 33RD AVENUE SUITE 100
 FORT LAUDERDALE, FLORIDA 33309
 TEL: (954) 772-4624 FAX: (954) 772-4634
 CERT. OF AUTH. #00009124