

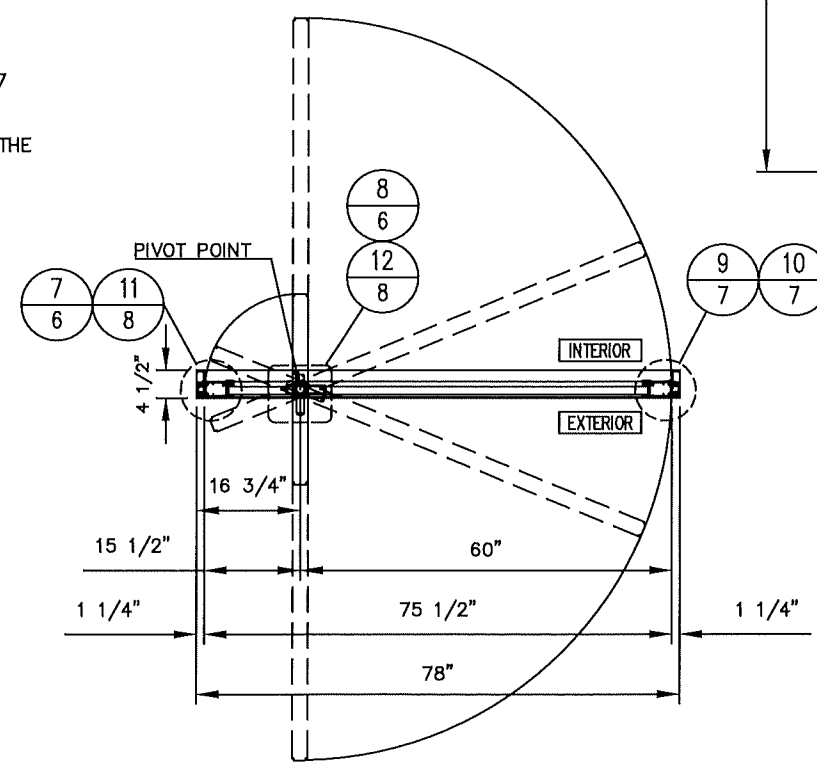
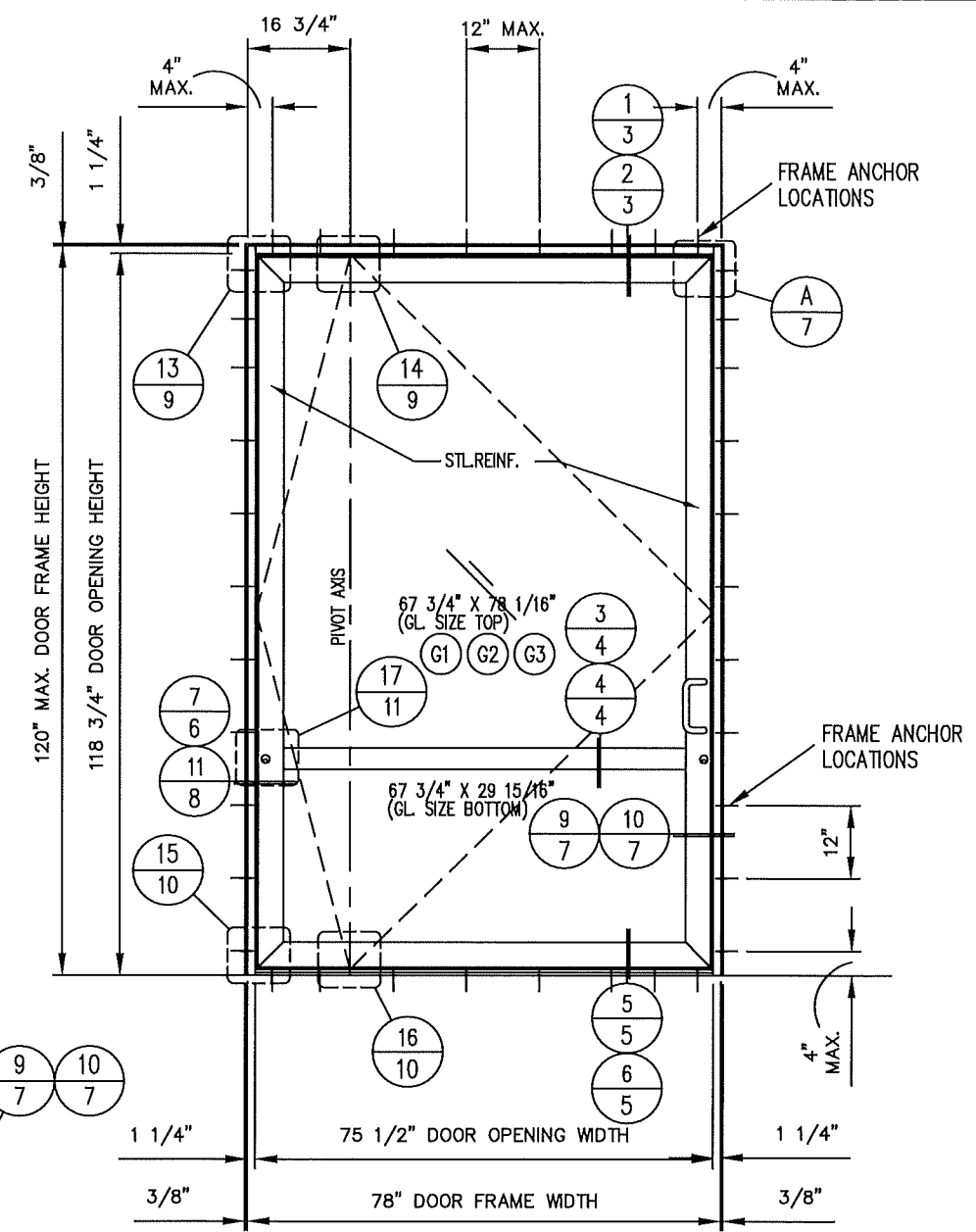
SERIES "VISTA VIEW" PIVOT OUTSWING/INSWING DOOR LARGE MISSILE IMPACT (HVHZ)

GENERAL NOTES:

1. THIS PRODUCT IS DESIGNED TO COMPLY WITH THE CURRENT FLORIDA BUILDING CODE (FBC 2020) 7th EDITION (HVHZ).
2. GLAZING SYSTEM TESTED FOR LARGE MISSILE IMPACT AS PER MIAMI-DADE COUNTY PROTOCOLS (TAS 201, 202 & 203) HURRICANE WIND-BORNE DEBRIS PROTECTION IS NOT REQUIRED.
3. THIS ENTRANCE DOOR IS NOT WATER RESISTANT. TO BE USED WHERE WATER RESISTANCE IS NOT REQUIRED OR 1:1 OVERHANG IS PROVIDED PER FBC.
4. CODE REQUIREMENTS FOR SAFEGUARDS MUST BE OBSERVED.
5. BUCKS ARE BY OTHERS AND MUST BE ANCHORED PROPERLY TO THE STRUCTURE. BUCKS AND BUCKING SHALL BE DESIGNED BY SPECIALTY ENGINEER OR E.O.R.
6. ANCHORS SHALL BE AS LISTED IN CHARTS AND SPACED AS DETAILED.
7. FRAME ANCHOR EMBEDMENT TO BASE MATERIAL SHALL BE BEYOND WALL DRESSING OR STUCCO AS PER APPROVED FRAME ANCHOR CHARTS ON PAGES 5, 6, 7 & 9.
8. ALL SUBSTRATES, BUCKING OR ANCHOR CONDITIONS SHALL BE QUALIFIED BY A SPECIALTY ENGINEER OR E.O.R.
9. ALL ALUMINUM FRAMES SHALL BE ISOLATED FROM STEEL AND CONCRETE WITH HIGH STRENGTH STRUCTURAL PLASTIC SHIMS OR AS PER FBC.

INSTRUCTIONS:

- STEP 1 - DETERMINE DESIGN WIND LOAD REQUIREMENT BASED ON WIND VELOCITY, BLDG. HEIGHT, WIND ZONE. USING APPLICABLE ASCE 7 STANDARDS FOR COMPONENTS AND CLADDING.
- STEP 3 - CHECK DESIGN PRESSURE CAPACITY FOR DESIRED GLASS TYPE/SIZE USING CHARTS ON SHEET 4. THE DESIGN PRESSURE ON THE CHART SHOULD BE EQUAL TO OR EXCEED THE PROJECT DESIGN PRESSURE.
- STEP 4 - SELECT ANCHOR OPTION(S) BASED ON SUBSTRATES FROM "APPROVED FRAME ANCHORS" SCHEDULES ON PAGES 5, 6, 7 & 9.



| FRAME ANCHOR TYPES: | |
|---------------------|--|
| 1. | 1/4" DIA. H.H. ULTRACONS OR EQUAL INTO 3000 P.S.I. MIN. GROUT FILLED C.M.U. WITH 1 1/2" MIN. EMBED. MIN. EDGE DISTANCE = 2 1/2" |
| 2. | 1/4" DIA. H.H. ULTRACONS OR EQUAL INTO 3000 P.S.I. POURED CONC. WITH 1 1/2" MIN. EMBED. MIN. EDGE DISTANCE = 2 1/2" |
| 3. | 1/4" DIA. H.H. ULTRACONS OR EQUAL THRU 3/4" NOMINAL THICKNESS WOOD BUCK WITH 1 1/2" MIN. EMBED. INTO CONC. MIN. EDGE DISTANCE = 2 1/2" |
| 4. | 1/4" DIA. H.H. ULTRACONS OR EQUAL INTO 1 1/2" NOMINAL THICKNESS (2 X 6) WOOD BUCK WITH 1 3/4" MIN. EMBED INTO STRUCTURAL WOOD FRAMING. (MIN. SPECIFIC GRAVITY = 0.55) MIN. EDGE DISTANCE = 1 1/4" |
| 5. | #14 X 1 1/4" H.H. SELF THREADING SCREWS (DEWALT ELCO "DRILL-FLEX" OR "TEKS") INTO STEEL OR ALUMINUM FRAMING (STEEL: A36 MIN. YIELD STRENGTH - 1/8" MIN. THICKNESS) (ALUMINUM: 6063-T5 MIN. ALLOY/TEMPER) FASTENERS MUST PENETRATE THRU METAL SUBSTRATE A MINIMUM OF 1/4" |

TYPICAL DOOR PLAN VIEW

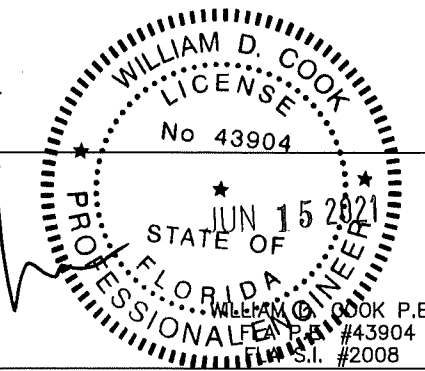
TYPICAL DOOR ELEVATION

| | | |
|---|------------------|----------------------------------|
| PROJECT NAME: VISTA VIEW PIVOT OUTSWING/INSWING DOOR | | |
| DRAWING NUMBER: VPIVOTDR2021-06-14 | DRAW BY: M.G. | PRODUCT APPROVAL NO.: FL39161 |
| SHT. 1 OF 14 | SCALE: | DATE: 06/14/2021 |

4250 CORAL RIDGE DRIVE
CORAL SPRINGS, FL 33065
PHONE: 954-784-6900
FAX: 954-688-9816

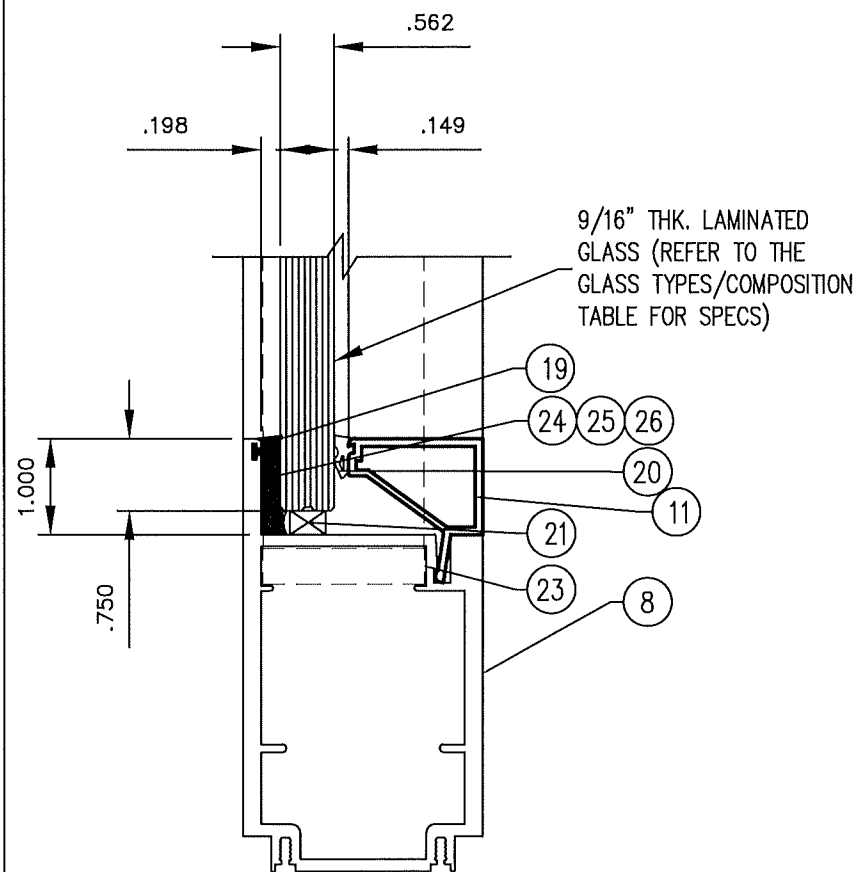
ALUMINUM AND GLASS PRODUCTS, INC.

SEAL

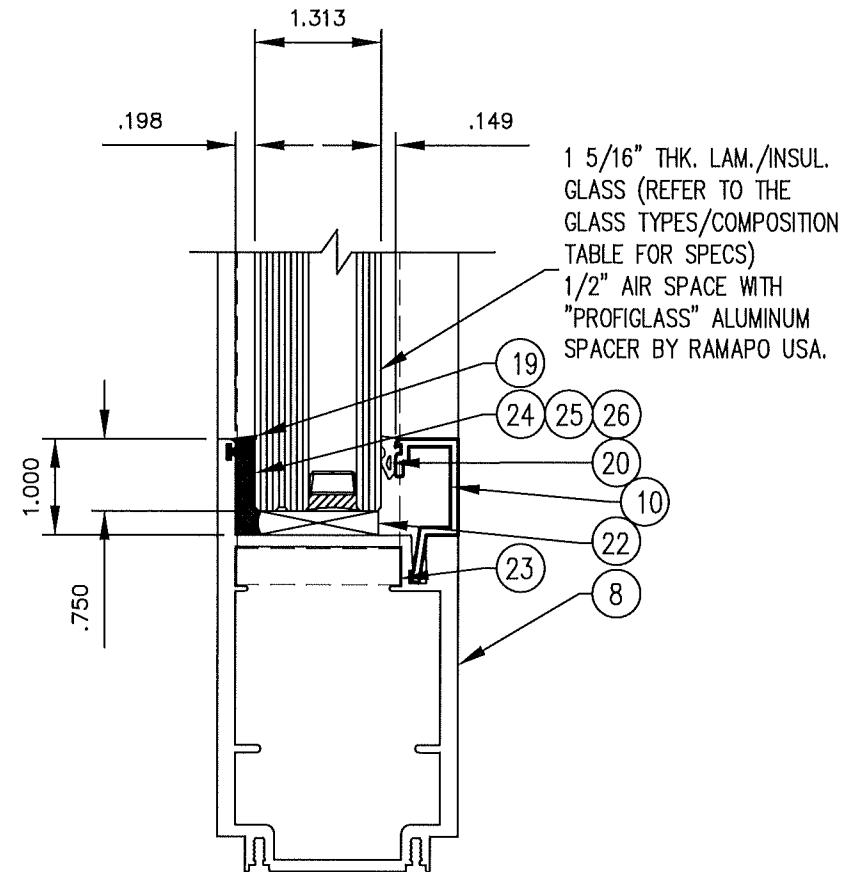


BROMLEY-COOK ENGINEERING, INC.
STRUCTURAL ENGINEERING SERVICES
5440 N.W. 33RD AVENUE SUITE 100
FORT LAUDERDALE, FLORIDA 33309
TEL: (954) 772-4624

| GLASS TYPES/COMPOSITION: | | |
|--------------------------|----------------------------------|---|
| GLASS MK: | GLASS TYPE: | COMPOSITION: |
| G1 | 9/16" THK. LAMINATED | 1/4" HEAT STRENGTHENED + .075" THK. SAFLEX "STORM" INTERLAYER + 1/4" HEAT STRENGTHENED SAFLEX "STORM" BY EASTMAN CHEMICAL |
| G2 | 9/16" THK. LAMINATED | 1/4" HEAT STRENGTHENED + .090" THK. "SENTRYGLAS PLUS" INTERLAYER + 1/4" HEAT STRENGTHENED SENTRYGLAS PLUS BY KURARAY AMERICA |
| G3 | 1 5/16" THK. INSULATED/LAMINATED | 1/4" HEAT STRENGTHENED + .090" THK. "SENTRYGLAS PLUS" INTERLAYER + 1/4" HEAT STRENGTHENED + 1/2" AIR SPACE + 1/4" TEMPERED SENTRYGLAS PLUS BY KURARAY AMERICA |



TYPICAL GLAZING DETAIL (G1 G2)
(9/16" LAMINATED GLASS)



TYPICAL GLAZING DETAIL (G3)
(1 5/16" INSULATED-LAMINATED GLASS)

| ALLOWABLE DOOR FRAME SIZES – P.S.F. (WITHOUT STEEL REINFORCING) | | | | |
|--|--------------|------------------|------------------|------------------|
| FRAME SIZE | | GLASS TYPE: (G1) | GLASS TYPE: (G2) | GLASS TYPE: (G3) |
| FRAME WIDTH | FRAME HEIGHT | PSF (+,-) | PSF (+,-) | PSF (+,-) |
| 48" | 84" | 60 | 100 | 100 |
| 54" | | | | |
| 60" | | | | |
| 78" | | | | |
| 48" | 90" | | | |
| 54" | | | | |
| 60" | | | | |
| 78" | | | | |
| 48" | 96" | | | |
| 54" | | | | |
| 60" | | | | |
| 78" | | | | |
| 48" | 102" | | | |
| 54" | | | | |
| 60" | | | | |
| 78" | | | | |
| 48" | 106 1/4" | | | |
| 54" | | | | |
| 60" | | | | |
| 78" | | | 100 | 100 |
| 48" | 108" | | | |
| 54" | | | | |
| 60" | | | | |
| 78" | | | | |
| 48" | 119 1/2" | | | |
| 54" | | | | |
| 60" | | | | |
| 78" | | | 60 | |

| ALLOWABLE DOOR FRAME SIZES – P.S.F. (WITH STEEL REINFORCING) | | |
|---|--------------|------------------|
| FRAME SIZE | | GLASS TYPE: (G3) |
| FRAME WIDTH | FRAME HEIGHT | PSF (+,-) |
| 48" | 84" | 100 |
| 54" | | |
| 60" | | |
| 78" | | |
| 48" | 90" | |
| 54" | | |
| 60" | | |
| 78" | | |
| 48" | 96" | |
| 54" | | |
| 60" | | |
| 78" | | |
| 48" | 102" | |
| 54" | | |
| 60" | | |
| 78" | | |
| 48" | 106 1/4" | |
| 54" | | |
| 60" | | |
| 78" | | |
| 48" | 108" | |
| 54" | | |
| 60" | | |
| 78" | | |
| 48" | 120" | |
| 54" | | |
| 60" | | |
| 78" | | 100 |

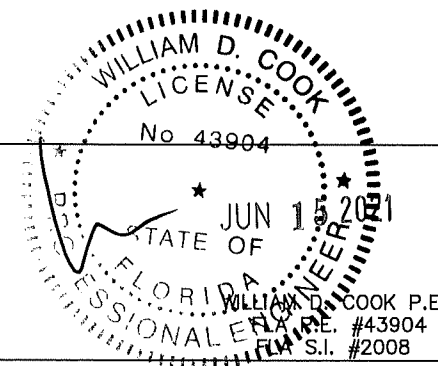
NOT TESTED FOR WATER INFILTRATION

| | | |
|---|------------------|----------------------------------|
| PROJECT NAME: VISTA VIEW PIVOT OUTSWING/INSWING DOOR | | |
| DRAWING NUMBER: VPIVOTDR2021-06-14 | DRAW BY: M.G. | PRODUCT APPROVAL NO.: FL39161 |
| SHT. 2 OF | SCALE: | DATE: 06/14/2021 |

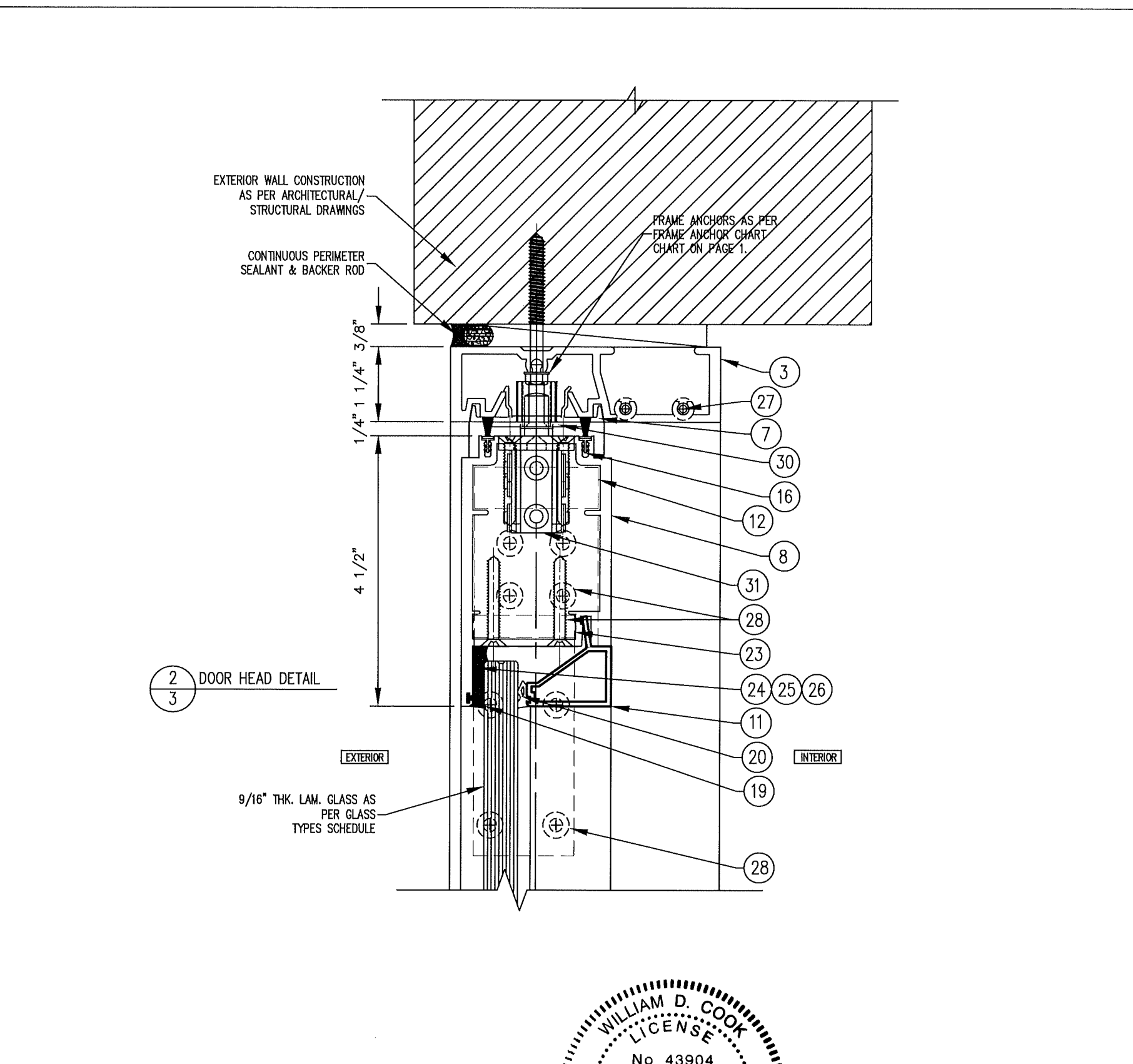
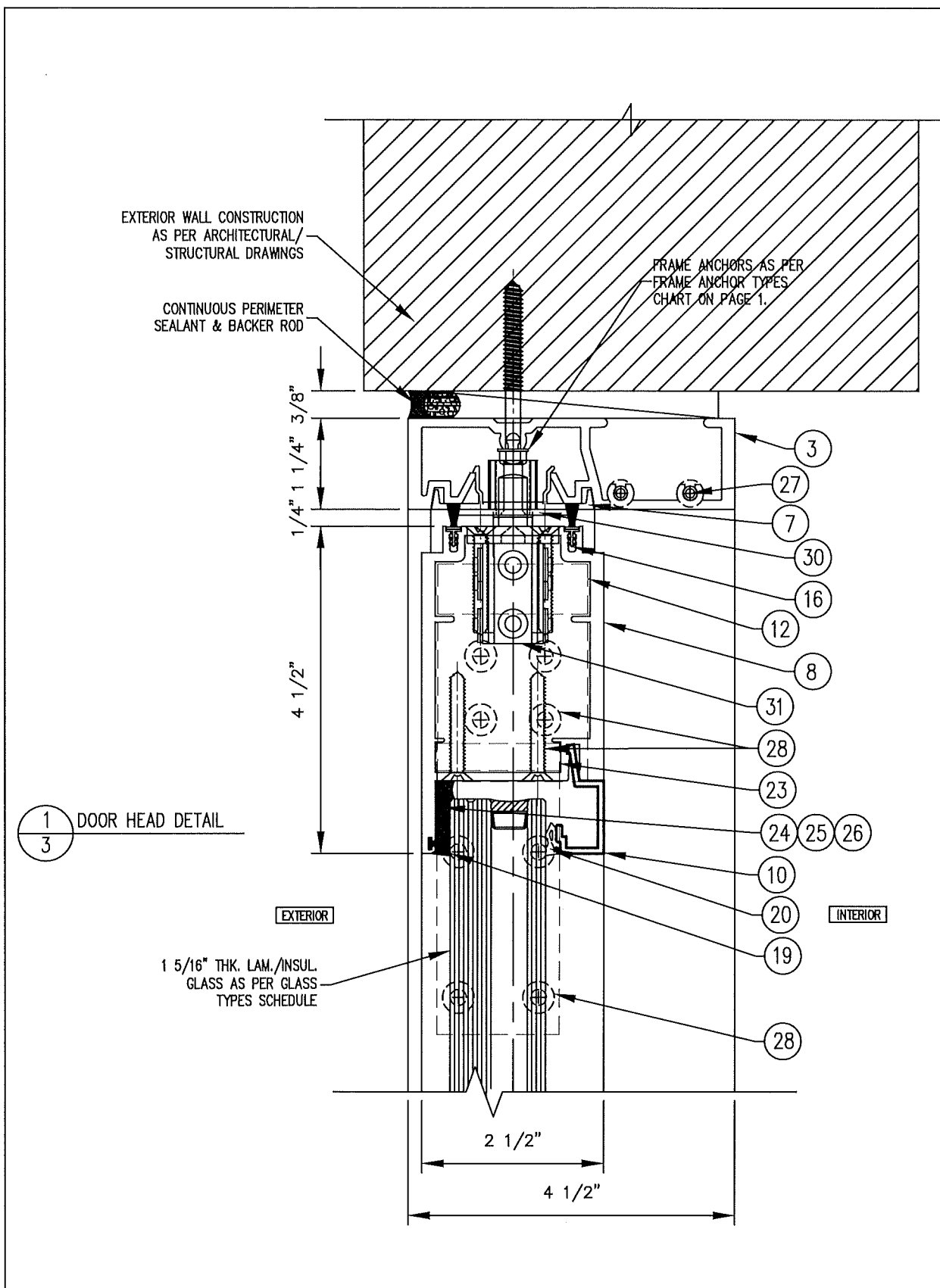


4250 CORAL RIDGE DRIVE
CORAL SPRINGS, FL 33065
PHONE: 954-784-6900
FAX: 954-688-9816

SEAL



BROMLEY-COOK ENGINEERING, INC.
STRUCTURAL ENGINEERING SERVICES
5440 N.W. 33RD AVENUE SUITE 100
FORT LAUDERDALE, FLORIDA 33309
TEL: (954) 772-4624

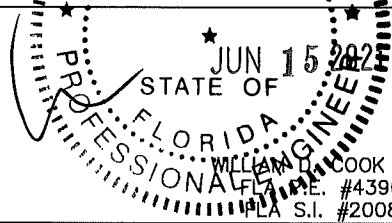


| | | |
|---|------------------|----------------------------------|
| PROJECT NAME: VISTA VIEW PIVOT OUTSWING/INSWING DOOR | | |
| DRAWING NUMBER: VVPivotDR2021-06-14 | DRAW BY: M.G. | PRODUCT APPROVAL NO.: FL39161 |
| SHT. 3 OF 14 | SCALE: | DATE: 06/14/2021 |

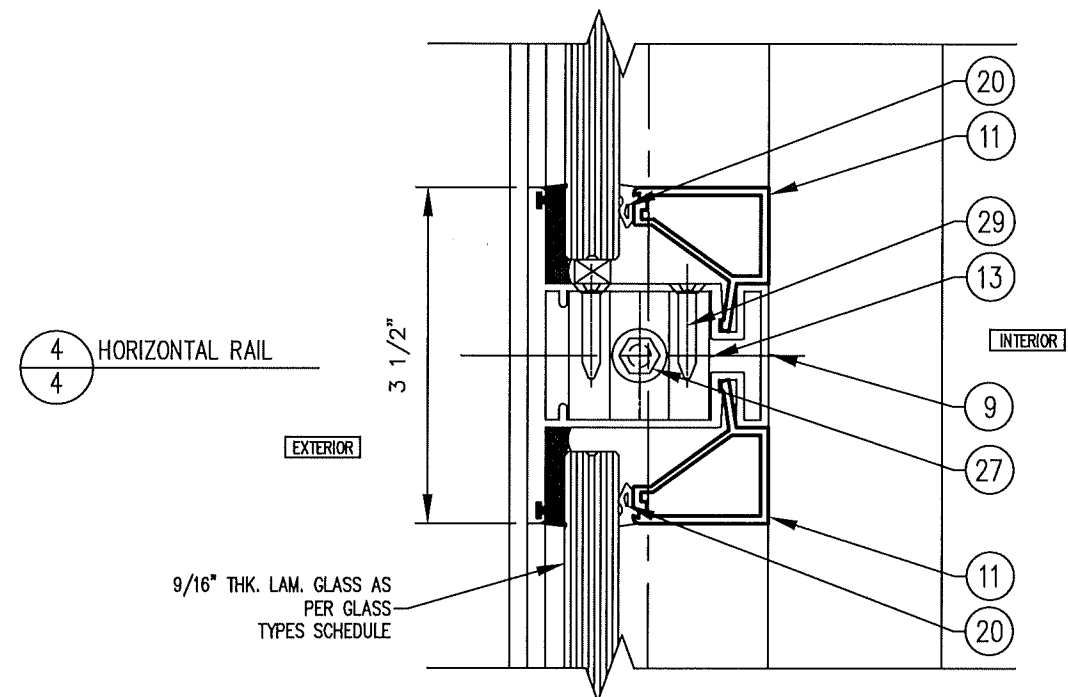
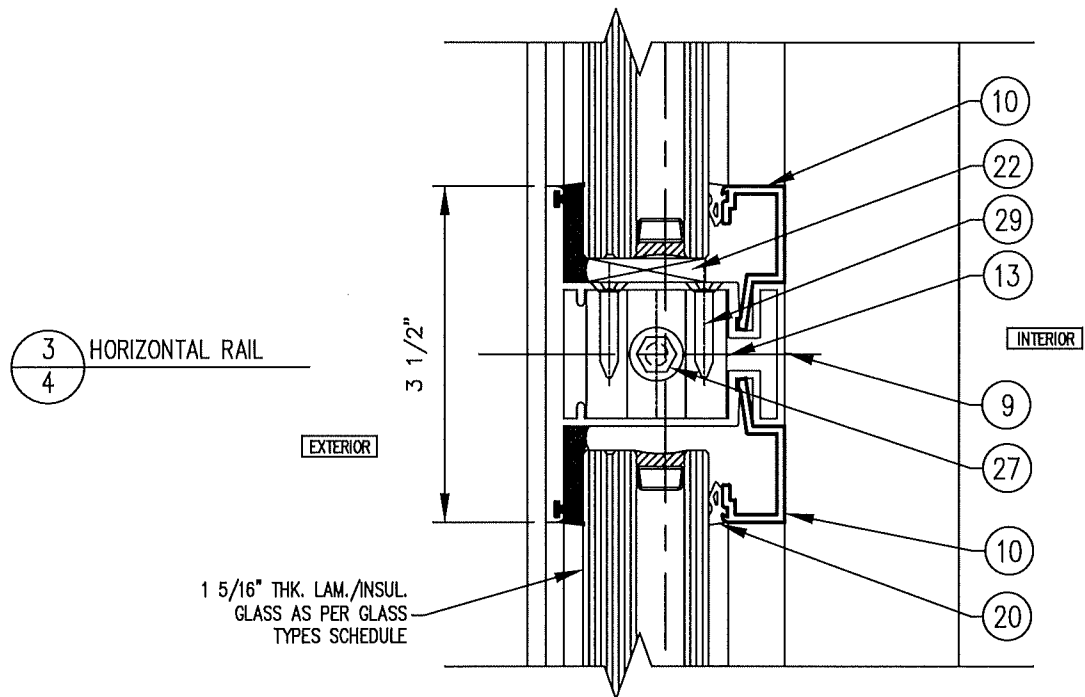

ALDORA
 ALUMINUM AND GLASS PRODUCTS, INC.

4250 CORAL RIDGE DRIVE
 CORAL SPRINGS, FL 33065
 PHONE: 954-784-6900
 FAX: 954-688-9816

SEAL



BROMLEY-COOK ENGINEERING, INC.
 STRUCTURAL ENGINEERING SERVICES
 5440 N.W. 33RD AVENUE SUITE 100
 FORT LAUDERDALE, FLORIDA 33309
 TEL: (954) 772-4624

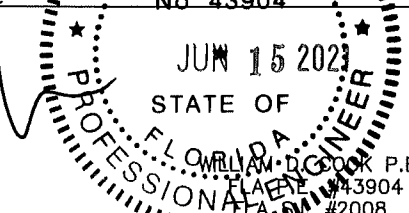


| | | |
|---|------------------|----------------------------------|
| PROJECT NAME: VISTA VIEW PIVOT OUTSWING/INSWING DOOR | | |
| DRAWING NUMBER: VVPIVOTDR2021-06-14 | DRAW BY: M.G. | PRODUCT APPROVAL NO.: FL39161 |
| SHT. 4 OF 14 | SCALE: | DATE: 06/14/2021 |

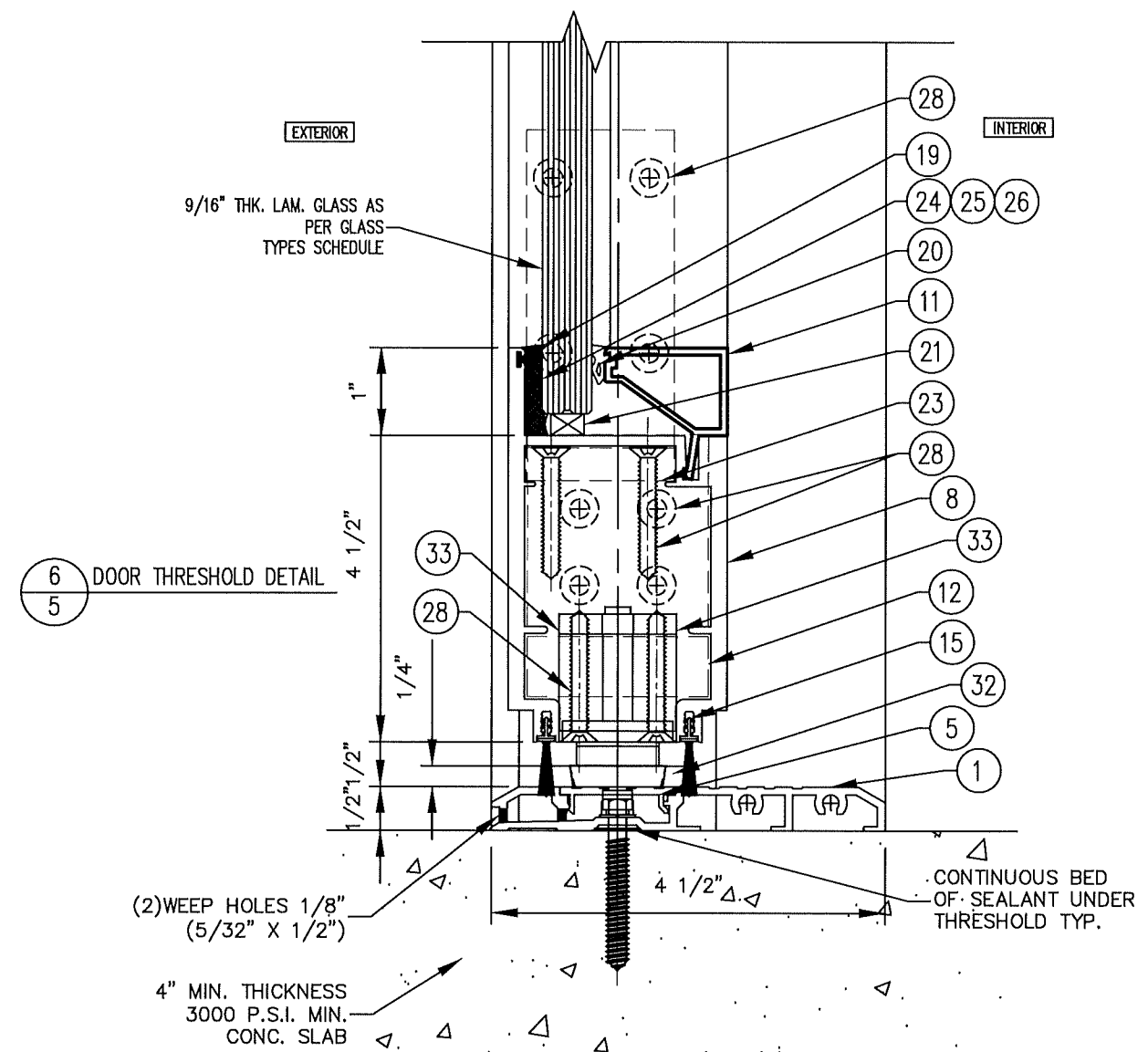
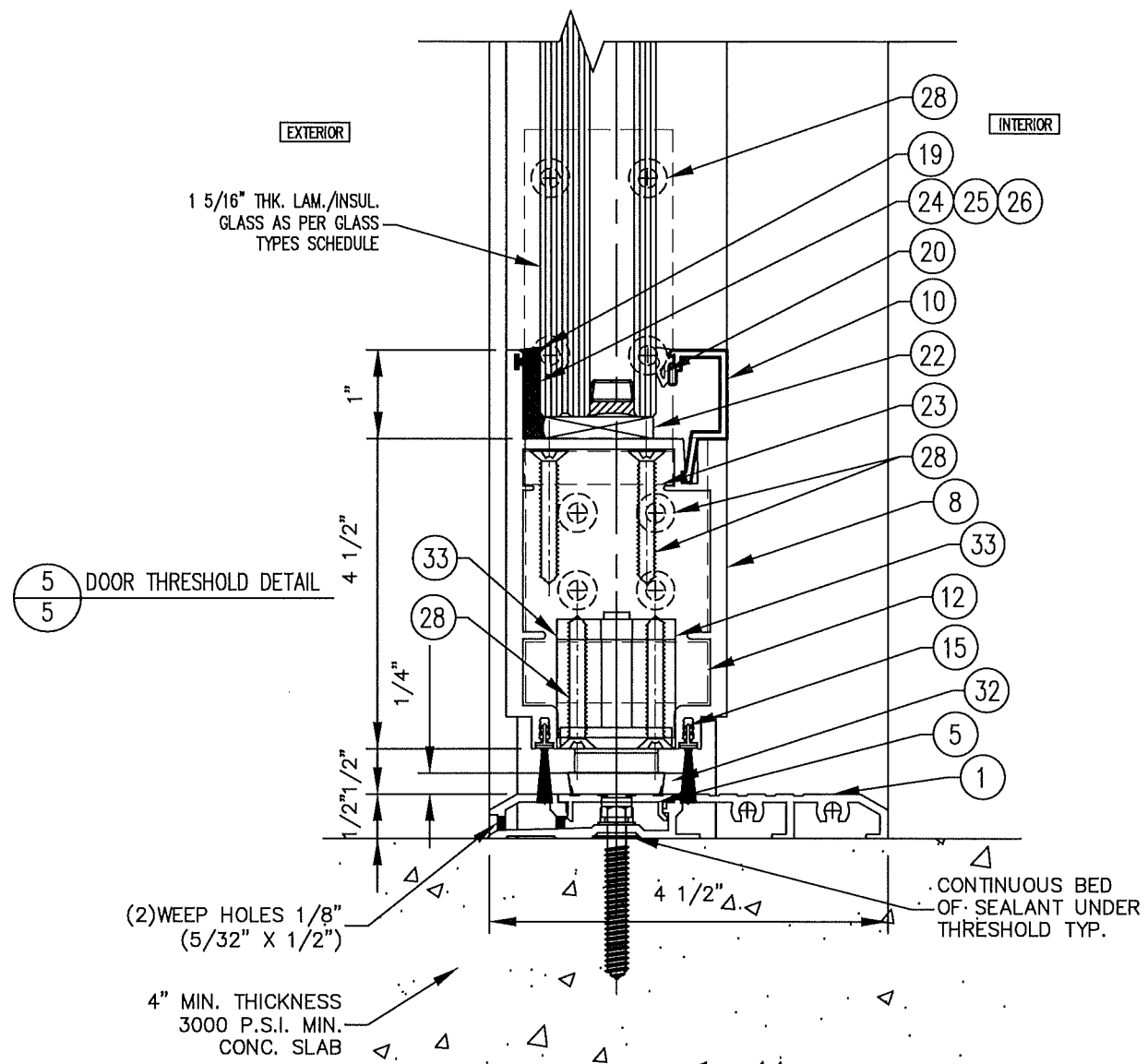

ALDORA
 ALUMINUM AND GLASS PRODUCTS, INC.

4250 CORAL RIDGE DRIVE
 CORAL SPRINGS, FL 33065
 PHONE: 954-784-6900
 FAX: 954-688-9816

SEAL



BROMLEY-COOK ENGINEERING, INC.
 STRUCTURAL ENGINEERING SERVICES
 5440 N.W. 33RD AVENUE SUITE 100
 FORT LAUDERDALE, FLORIDA 33309
 TEL: (954) 772-4624

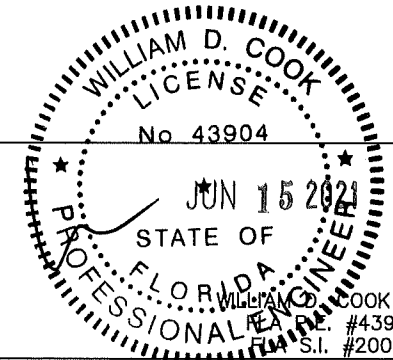


| | | |
|---|------------------|----------------------------------|
| PROJECT NAME: VISTA VIEW PIVOT OUTSWING/INSWING DOOR | | |
| DRAWING NUMBER: VPIVOTDR2021-06-14 | DRAW BY: M.G. | PRODUCT APPROVAL NO.: FL39161 |
| SHT. 5 OF 14 | SCALE: | DATE: 06/14/2021 |

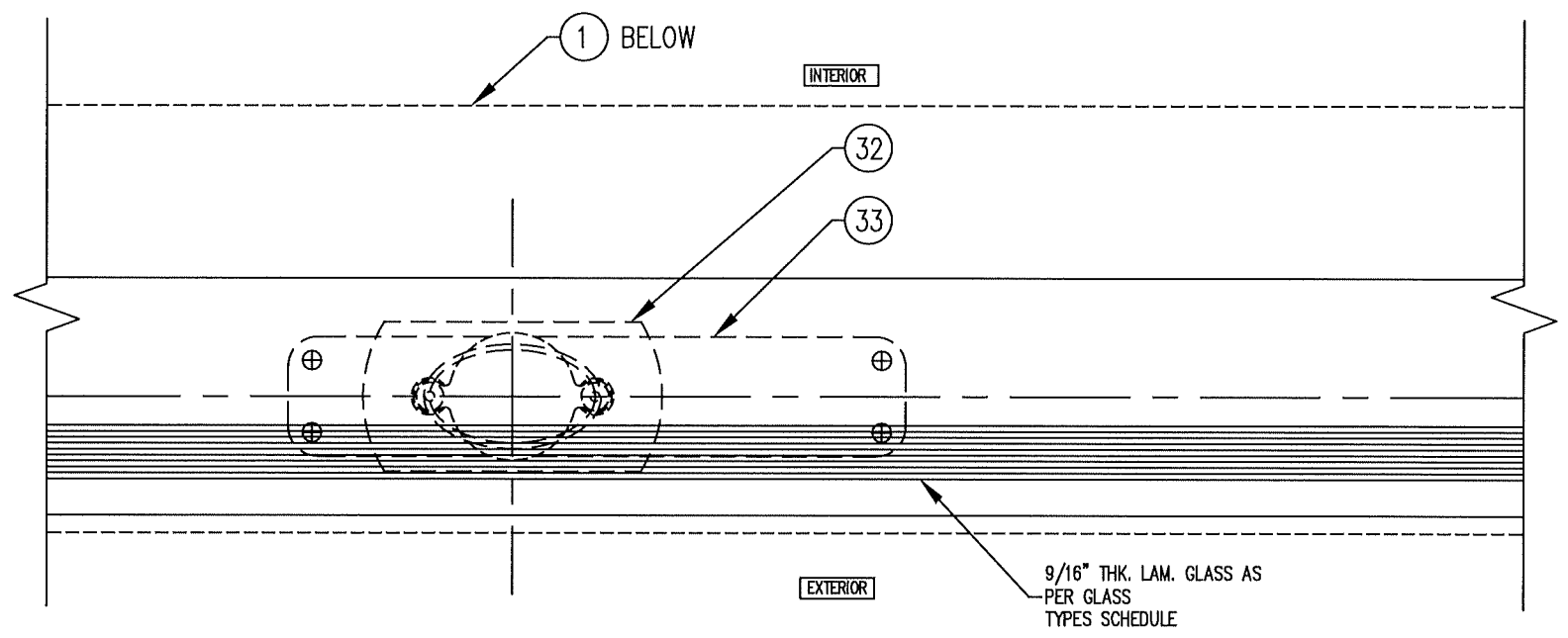
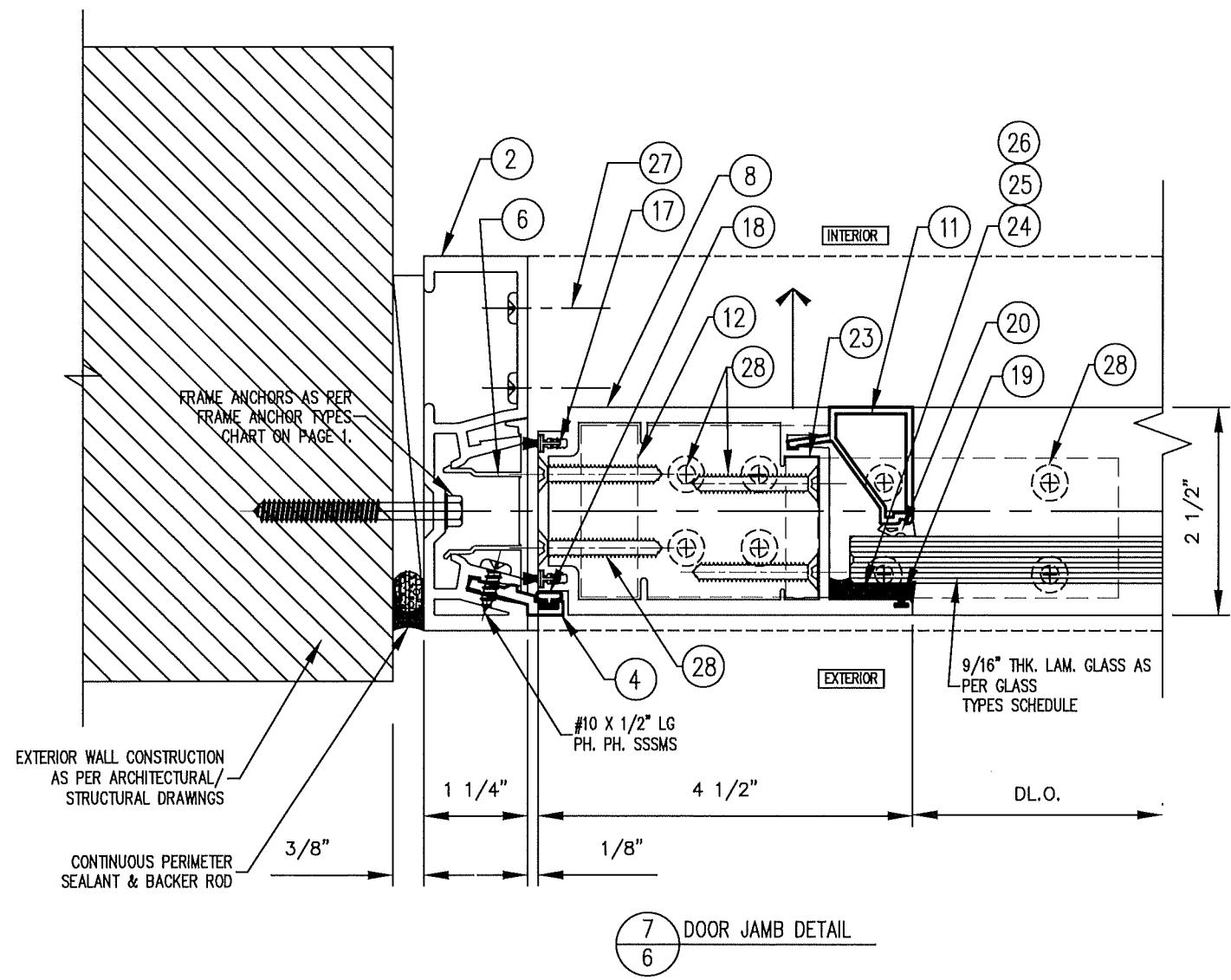


4250 CORAL RIDGE DRIVE
CORAL SPRINGS, FL 33065
PHONE: 954-784-6900
FAX: 954-688-9816

SEAL



BROMLEY-COOK ENGINEERING, INC.
STRUCTURAL ENGINEERING SERVICES
5440 N.W. 33RD AVENUE SUITE 100
FORT LAUDERDALE, FLORIDA 33309
TEL: (954) 772-4624



| | | |
|---|-------------------------------|----------------------------------|
| PROJECT NAME: VISTA VIEW PIVOT OUTSWING/INSWING DOOR | | |
| DRAWING NUMBER: VPIVOTDR2021-06-14 | DRAW BY: M.G. | PRODUCT APPROVAL NO.: FL39161 |
| SHT. 6 OF 14 | SCALE: DATE: 06/14/2021 | |

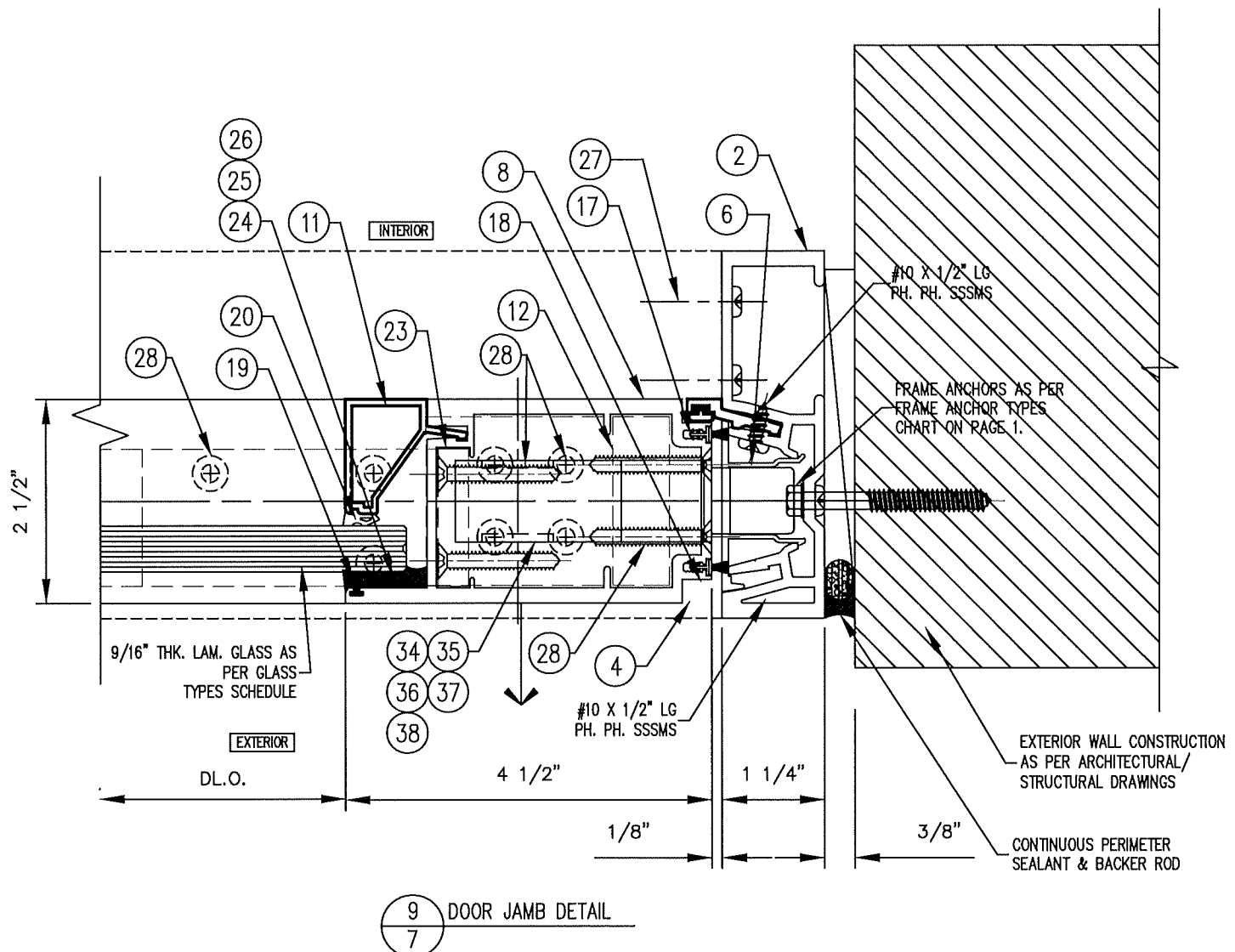

ALDORA
 ALUMINUM AND GLASS PRODUCTS, INC.

4250 CORAL RIDGE DRIVE
 CORAL SPRINGS, FL 33065
 PHONE: 954-784-6900
 FAX: 954-688-9816

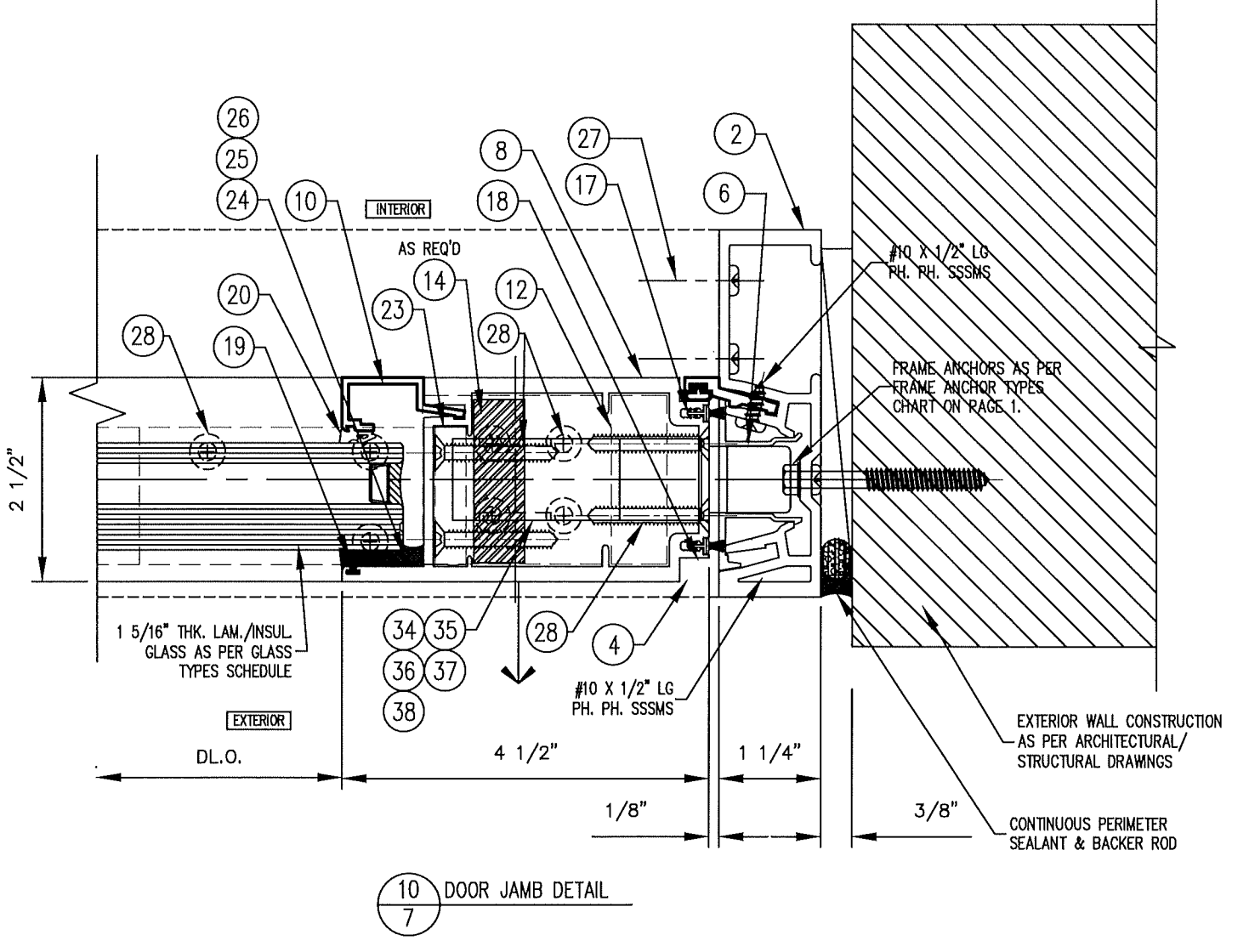
SEAL

WILLIAM D. COOK
 LICENSE
 No 43904
 JUN 15 2021
 STATE OF
 FLORIDA
 PROFESSIONAL ENGINEER

BROMLEY-COOK ENGINEERING, INC.
 STRUCTURAL ENGINEERING SERVICES
 5440 N.W. 33RD AVENUE SUITE 100
 FORT LAUDERDALE, FLORIDA 33309
 TEL: (954) 772-4624



9 DOOR JAMB DETAIL
7



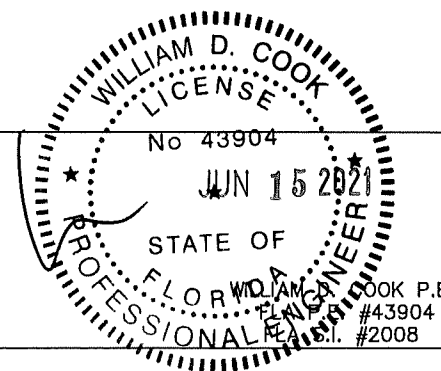
10 DOOR JAMB DETAIL
7

| | | |
|---|------------------|----------------------------------|
| PROJECT NAME: VISTA VIEW PIVOT OUTSWING/INSWING DOOR | | |
| DRAWING NUMBER: VVPVOTDR2021-06-14 | DRAW BY: M.G. | PRODUCT APPROVAL NO.: FL39161 |
| SHT. 7 OF 14 | SCALE: | DATE: 06/14/2021 |

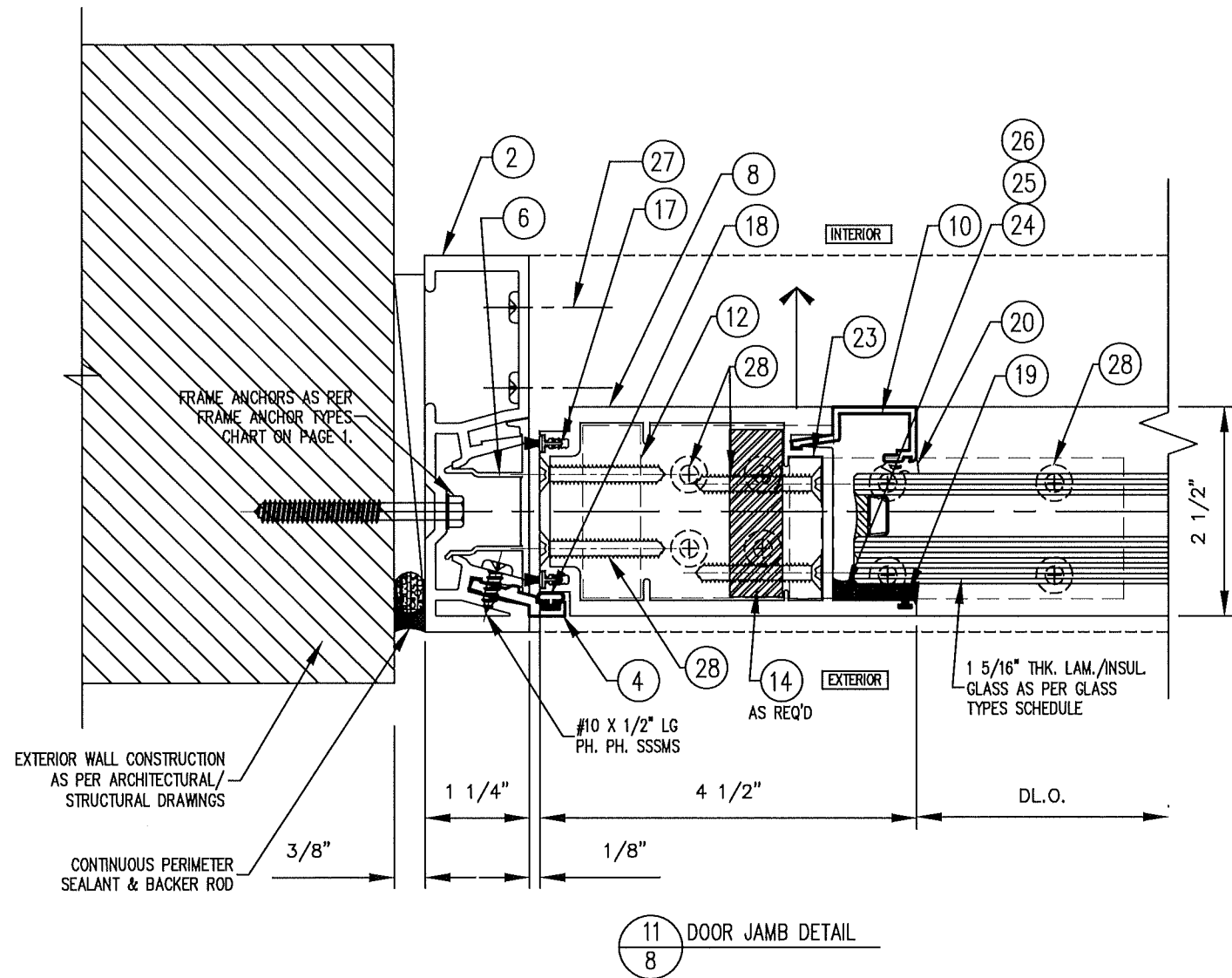


4250 CORAL RIDGE DRIVE
CORAL SPRINGS, FL 33065
PHONE: 954-784-6900
FAX: 954-688-9816

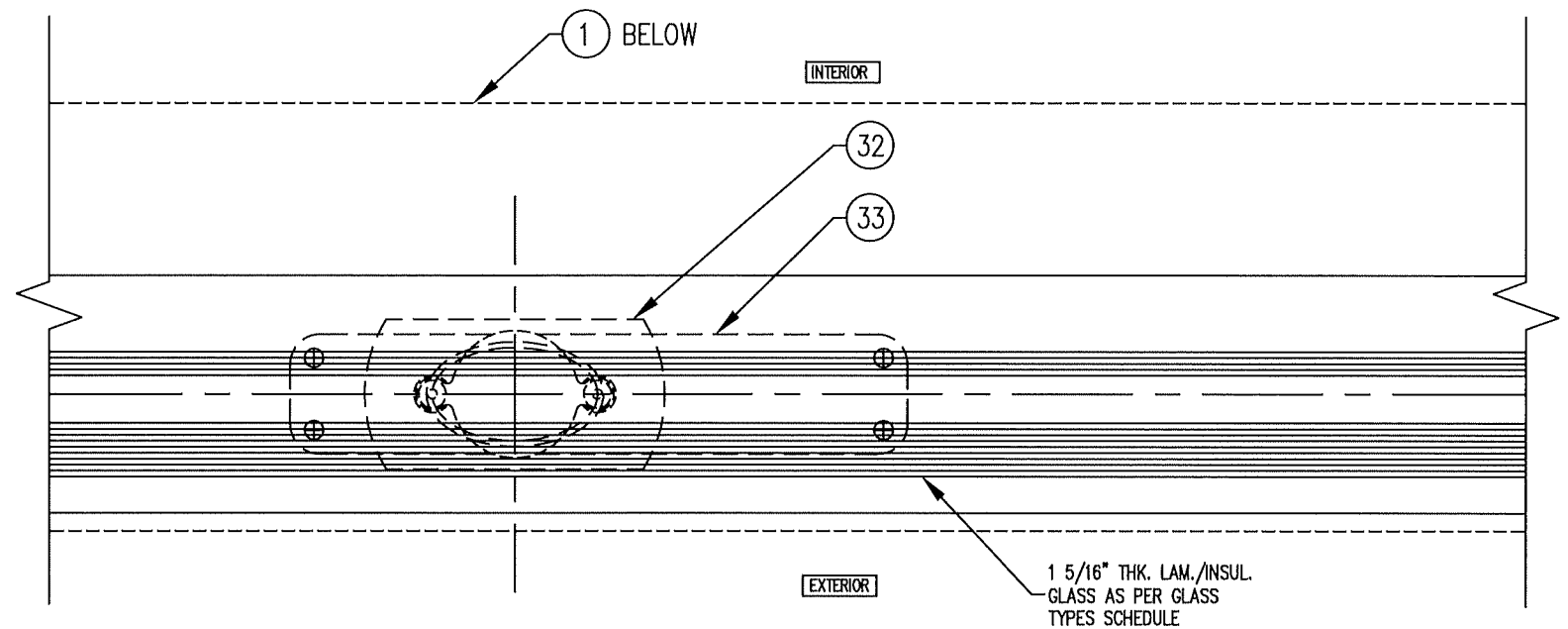
SEAL



BROMLEY-COOK ENGINEERING, INC.
STRUCTURAL ENGINEERING SERVICES
5440 N.W. 33RD AVENUE SUITE 100
FORT LAUDERDALE, FLORIDA 33309
TEL: (954) 772-4624



11 DOOR JAMB DETAIL
8



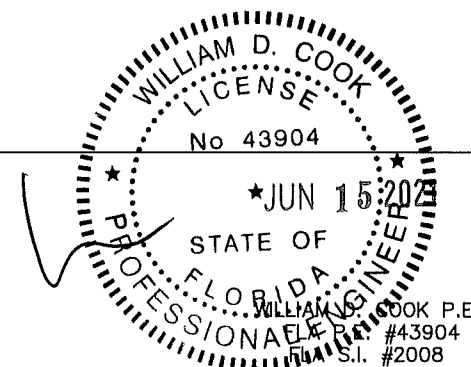
12 DOOR BOTTOM PIVOT
8

| | | |
|---|------------------|----------------------------------|
| PROJECT NAME: VISTA VIEW PIVOT OUTSWING/INSWING DOOR | | |
| DRAWING NUMBER: VVPVOTDR2021-06-14 | DRAW BY: M.G. | PRODUCT APPROVAL NO.: FL39161 |
| SHT. 8 OF 14 | SCALE: | DATE: 06/14/2021 |

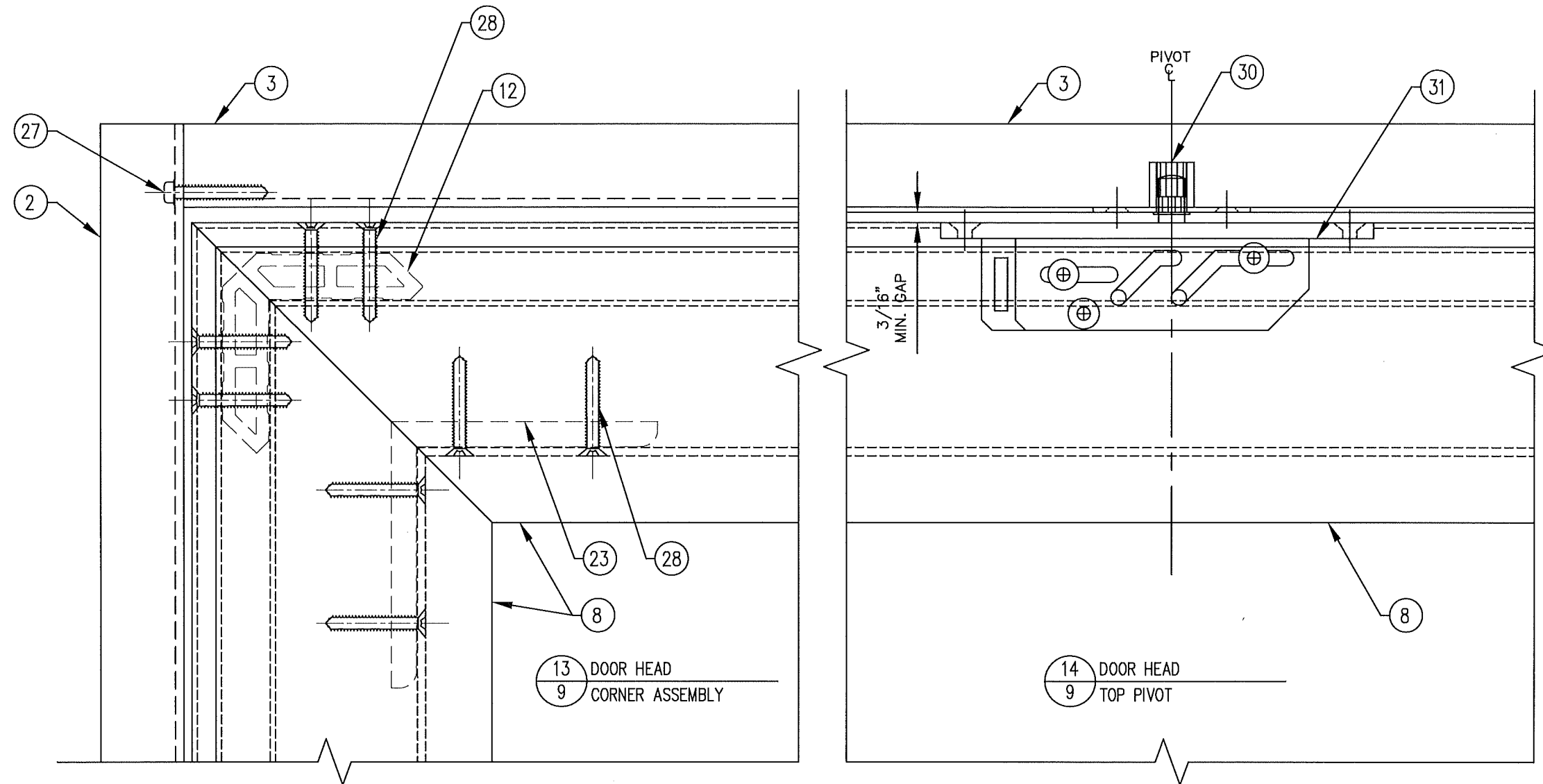


4250 CORAL RIDGE DRIVE
CORAL SPRINGS, FL 33065
PHONE: 954-784-6900
FAX: 954-688-9816

SEAL



BROMLEY-COOK ENGINEERING, INC.
STRUCTURAL ENGINEERING SERVICES
5440 N.W. 33RD AVENUE SUITE 100
FORT LAUDERDALE, FLORIDA 33309
TEL: (954) 772-4624

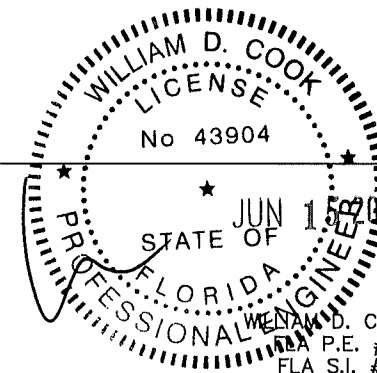


| | | |
|---|------------------|----------------------------------|
| PROJECT NAME: VISTA VIEW PIVOT OUTSWING/INSWING DOOR | | |
| DRAWING NUMBER: VVPIVOTDR2021-06-14 | DRAW BY: M.G. | PRODUCT APPROVAL NO.: FL39161 |
| SHT. 9 OF 14 | SCALE: | DATE: 06/14/2021 |



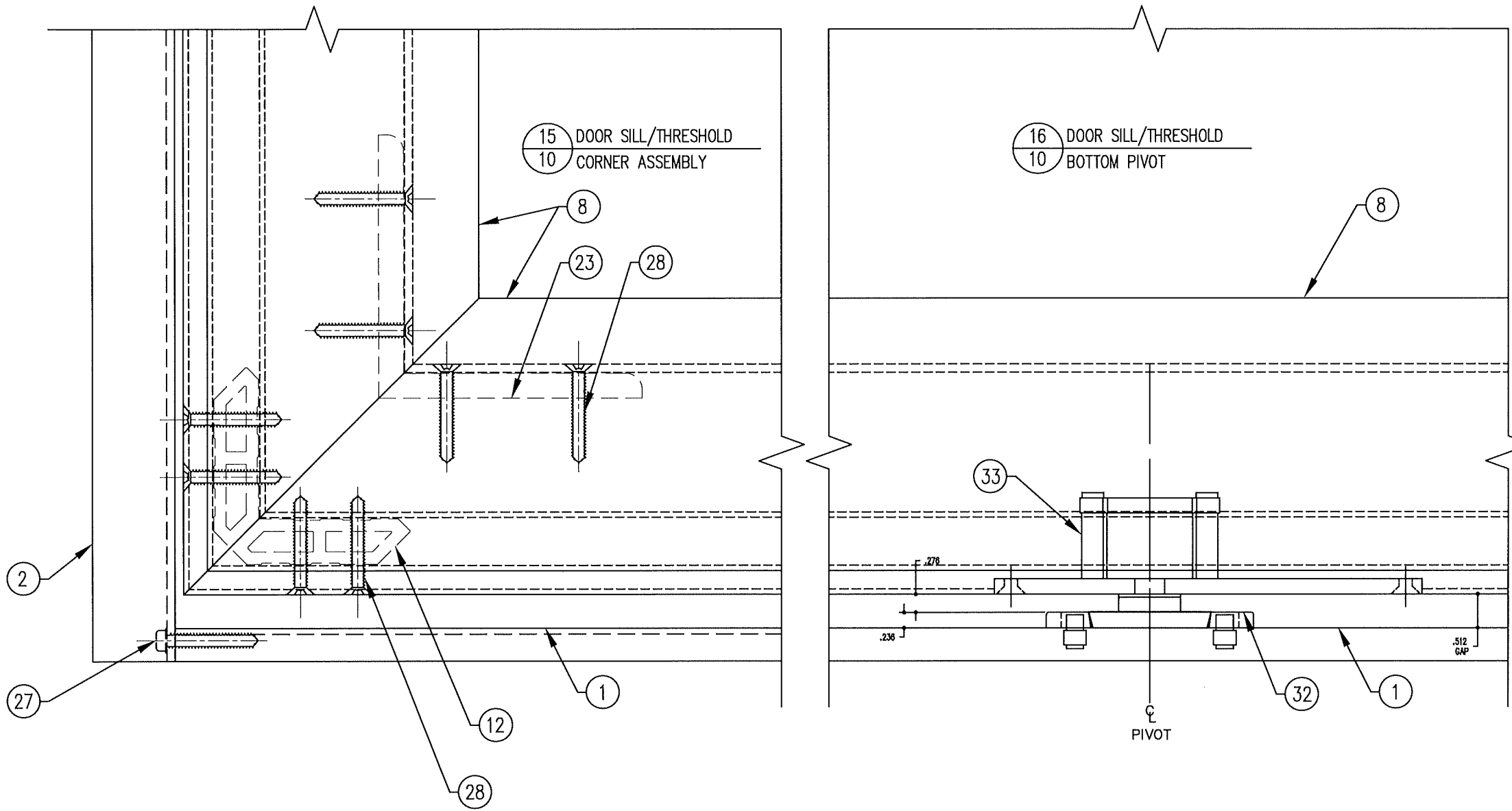
4250 CORAL RIDGE DRIVE
CORAL SPRINGS, FL 33065
PHONE: 954-784-6900
FAX: 954-688-9816

SEAL



BROMLEY-COOK ENGINEERING, INC.
STRUCTURAL ENGINEERING SERVICES
5440 N.W. 33RD AVENUE SUITE 100
FORT LAUDERDALE, FLORIDA 33309
TEL: (954) 772-4624

WILLIAM D. COOK P.E.
FLA. P.E. #43904
FLA. S.I. #2008

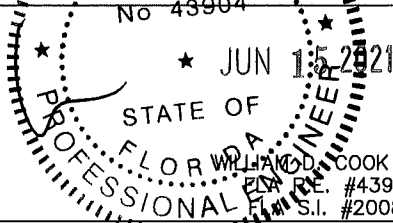


| | | |
|---|------------------|----------------------------------|
| PROJECT NAME: VISTA VIEW PIVOT OUTSWING/INSWING DOOR | | |
| DRAWING NUMBER: VVPVOTDR2021-06-14 | DRAW BY: M.G. | PRODUCT APPROVAL NO.: FL39161 |
| SHT. 10 OF 14 | SCALE: | DATE: 06/14/2021 |

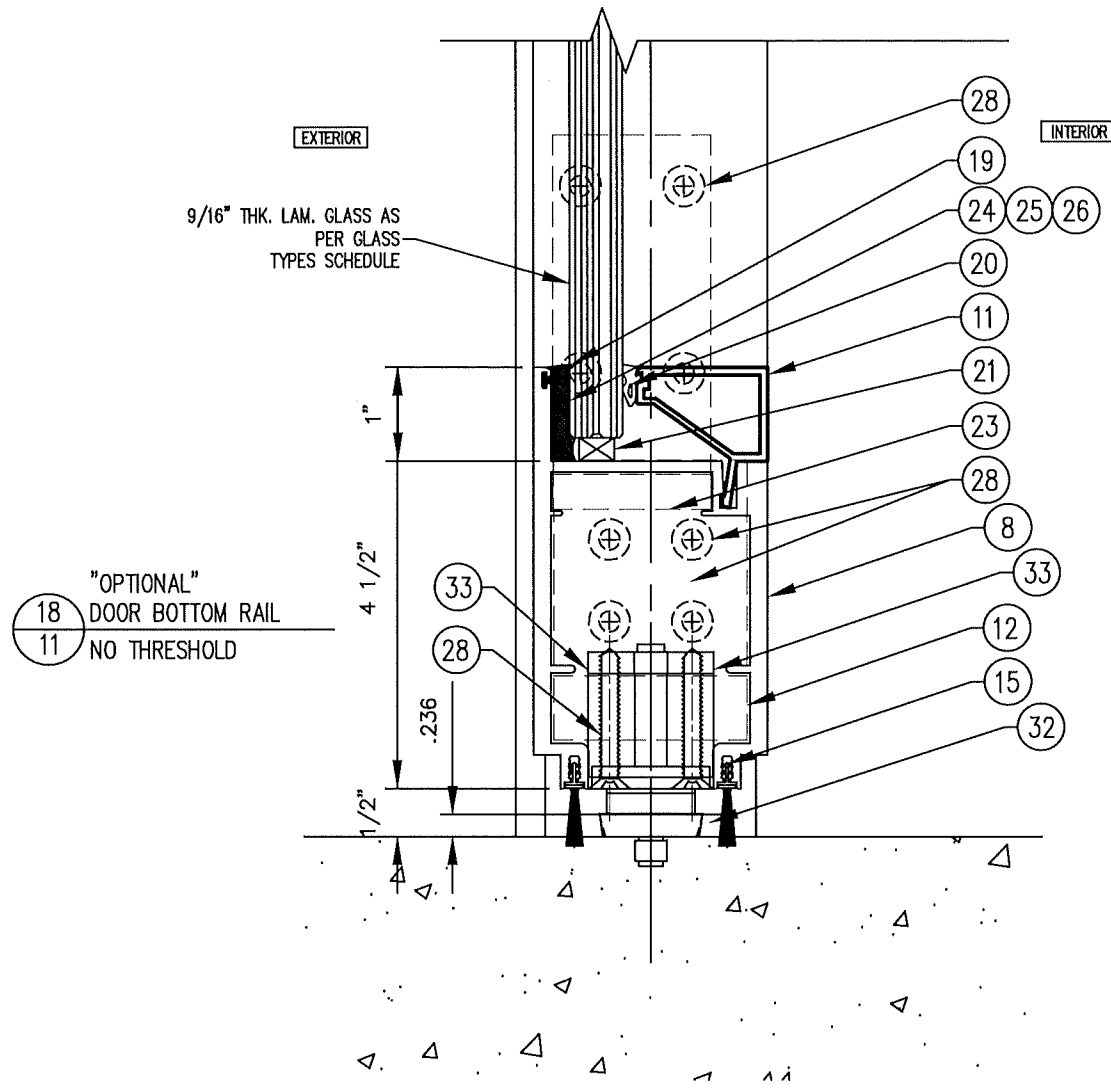
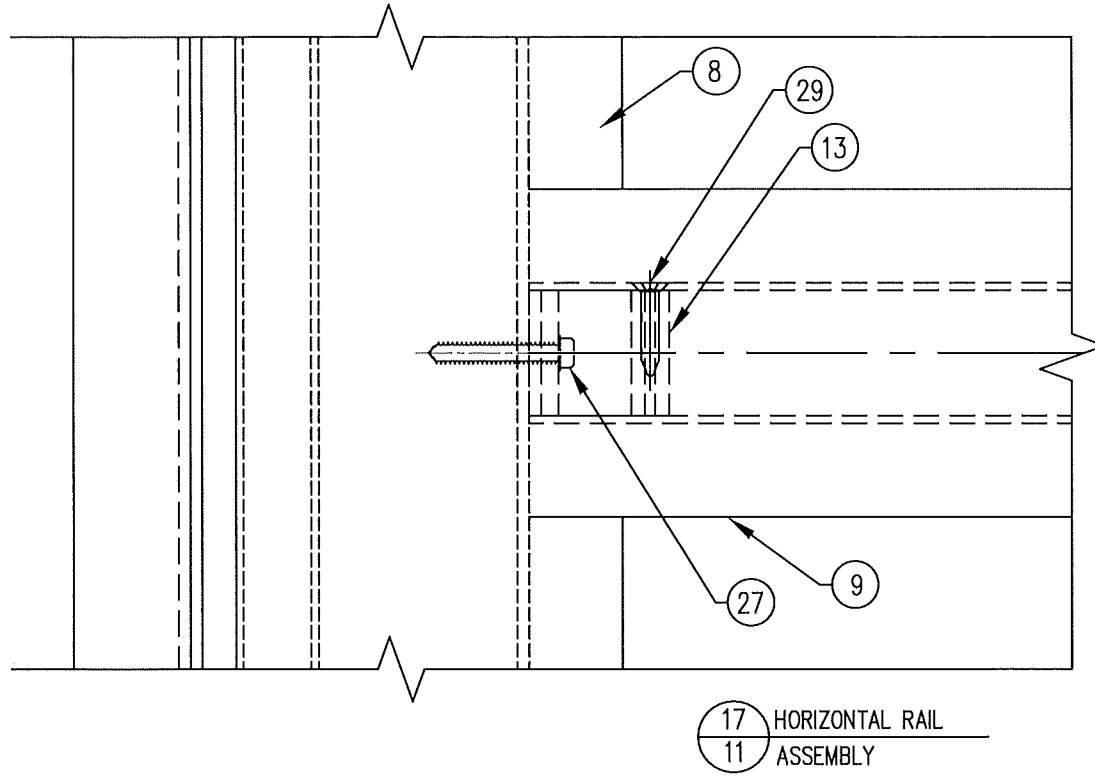

ALDORA
 ALUMINUM AND GLASS PRODUCTS, INC.

4250 CORAL RIDGE DRIVE
 CORAL SPRINGS, FL 33065
 PHONE: 954-784-6900
 FAX: 954-688-9816

SEAL



BROMLEY-COOK ENGINEERING, INC.
 STRUCTURAL ENGINEERING SERVICES
 5440 N.W. 33RD AVENUE SUITE 100
 FORT LAUDERDALE, FLORIDA 33309
 TEL: (954) 772-4624



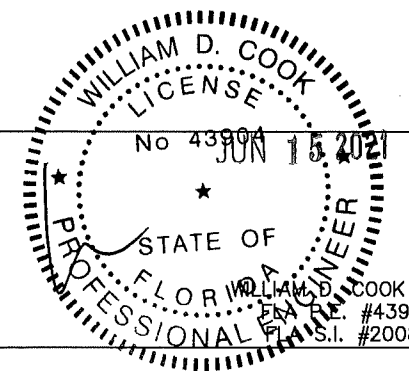
"OPTIONAL"
18 DOOR BOTTOM RAIL
11 NO THRESHOLD

| | | |
|---|------------------|----------------------------------|
| PROJECT NAME: VISTA VIEW PIVOT OUTSWING/INSWING DOOR | | |
| DRAWING NUMBER: VVPIVOTDR2021-06-14 | DRAW BY: M.G. | PRODUCT APPROVAL NO.: FL39161 |
| SHT. 11 OF 14 | SCALE: | DATE: 06/14/2021 |

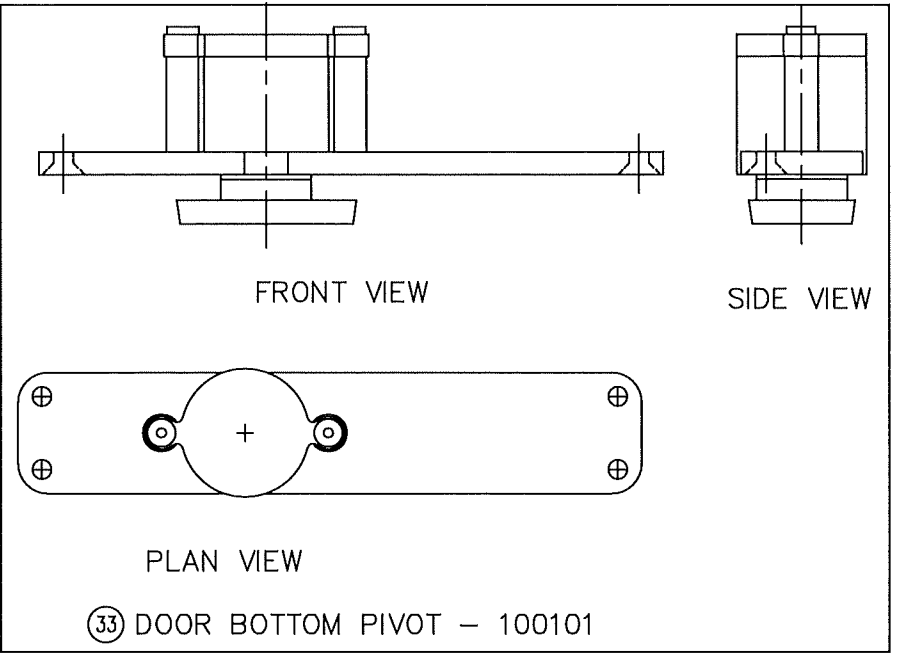
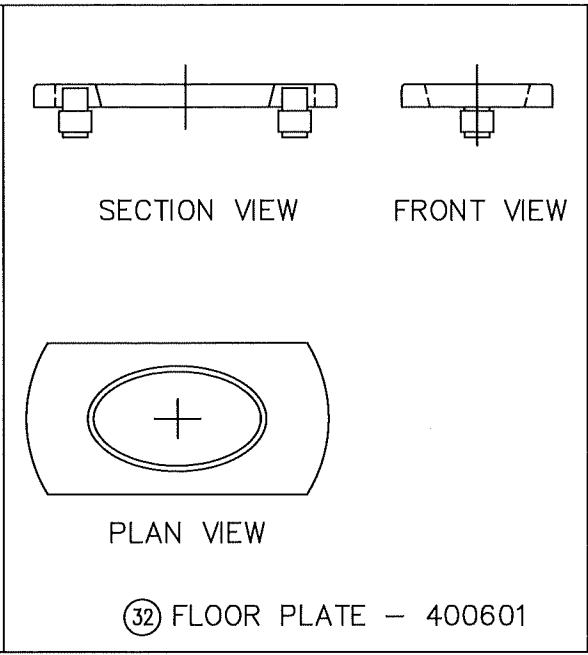
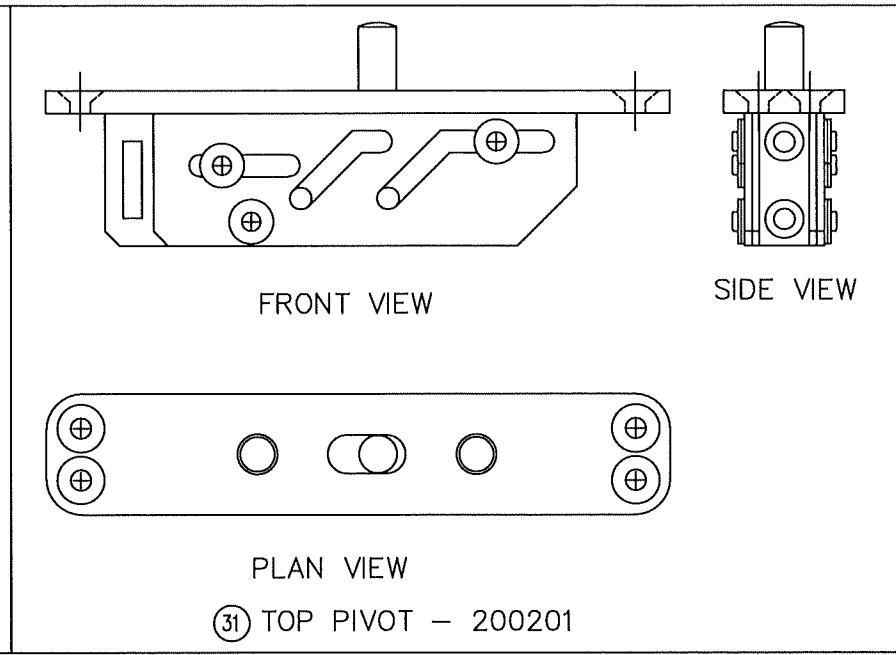
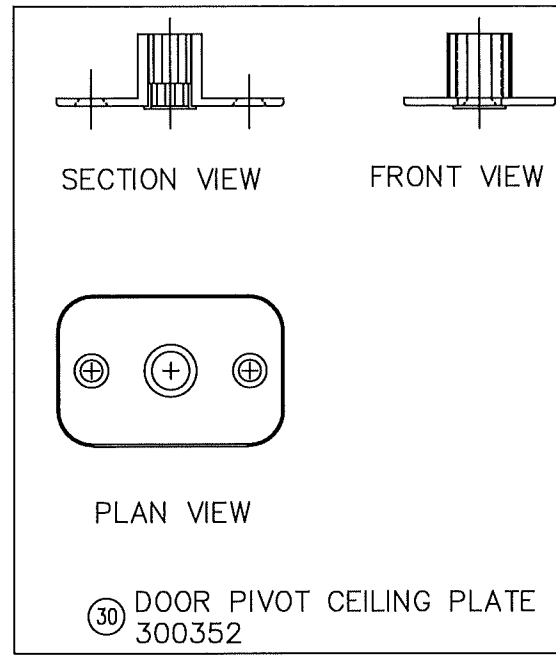


4250 CORAL RIDGE DRIVE
CORAL SPRINGS, FL 33065
PHONE: 954-784-6900
FAX: 954-688-9816

SEAL



BROMLEY-COOK ENGINEERING, INC.
STRUCTURAL ENGINEERING SERVICES
5440 N.W. 33RD AVENUE SUITE 100
FORT LAUDERDALE, FLORIDA 33309
TEL: (954) 772-4624



DOOR LOCK OPTIONS

1. -REGENT SERIES 2002 3-POINT HOOK BOLT MORTISE LOCK
2. -REGENT SERIES 2062 3-POINT MORTISE LOCK
3. -INTERLOCK/ASSA ABLOY OPTIMUM MORTICE LOCK - 2 POINT APEX MINI LEVER SET
4. -INTERLOCK/ASSA ABLOY OPTIMUM MORTICE LOCK - 4 POINT APEX MINI LEVER SET
5. -INTERLOCK/ASSA ABLOY 4 POINT LEVER COMPRESSION LOCK

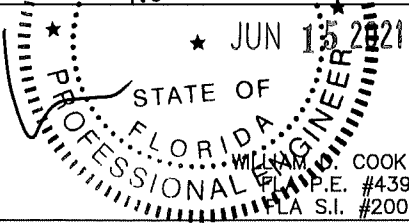
| | | |
|---|------------------|----------------------------------|
| PROJECT NAME: VISTA VIEW PIVOT OUTSWING/INSWING DOOR | | |
| DRAWING NUMBER: VPIVOTDR2021-06-14 | DRAW BY: M.G. | PRODUCT APPROVAL NO.: FL39161 |
| SHT. 12 OF 14 | SCALE: | DATE: 06/14/2021 |



ALDORA
ALUMINUM AND GLASS PRODUCTS, INC.

4250 CORAL RIDGE DRIVE
CORAL SPRINGS, FL 33065
PHONE: 954-784-6900
FAX: 954-688-9816

SEAL



WILLIAM D. COOK P.E.
#43904
FLA S.I. #2008

BROMLEY-COOK ENGINEERING, INC.
STRUCTURAL ENGINEERING SERVICES
5440 N.W. 33RD AVENUE SUITE 100
FORT LAUDERDALE, FLORIDA 33309
TEL: (954) 772-4624

BILL OF MATERIALS

| ITEM # | PART # | QTY. | DESCRIPTION | MATERIAL | MANF. / SUPPLIER / REMARKS |
|--------|--------------|---------------|--|-------------|---|
| ① | SMI-461 | AS REQ'D | THRESHOLD | 6063-T6 | - |
| ② | SMI-462 | AS REQ'D | JAMB | 6063-T6 | - |
| ③ | SMI-463 | AS REQ'D | FRAME HEAD | 6063-T6 | - |
| ④ | SMI-464 | AS REQ'D | DOOR STOP | 6063-T6 | - |
| ⑤ | SMI-465 | AS REQ'D | THRESHOLD COVER | 6063-T6 | - |
| ⑥ | SMI-466 | AS REQ'D | JAMB COVER | 6063-T6 | - |
| ⑦ | SMI-467 | AS REQ'D | HEAD COVER | 6063-T6 | - |
| ⑧ | SMI-468 | AS REQ'D | STILE/RAIL DOOR LEAF | 6063-T6 | - |
| ⑨ | SMI-469 | AS REQ'D | INTERMEDIATE HORIZONTAL | 6063-T6 | - |
| ⑩ | SMI-470 | AS REQ'D | GLASS STOP FOR 1 5/16" I.G/LAM. GL | 6063-T6 | - |
| ⑪ | SMI-471 | AS REQ'D | GLASS STOP FOR 9/16" I.G/LAM. GL | 6063-T6 | - |
| ⑫ | SMI-472 | AS REQ'D | OUTER CORNER KEY | 6063-T6 | - |
| ⑬ | SMI-105 | AS REQ'D | SHEAR BLOCK | 6063-T6 | - |
| ⑭ | ST-P1 | AS REQ'D | 5/8" THK. - X 2" STEEL REINFORCING BAR . | STEEL | |
| ⑮ | SMI-W05 | AS REQ'D | WOOL PILE | PILE | ULTRAFAB |
| ⑯ | SMI-W03 | AS REQ'D | WOOL PILE | PILE | ULTRAFAB |
| ⑰ | SMI-W04 | AS REQ'D | WOOL PILE | PILE | ULTRAFAB |
| ⑱ | SMI-B08 | AS REQ'D | BULB GASKET | SILICONE | ULTRAFAB |
| ⑲ | SMI-G13B | AS REQ'D | SPACER / RETAINER OUTER GASKET | SANTROPRENE | MELTPOINT PLASTICS |
| ⑳ | SMI-G27 | AS REQ'D | WEDGE IMPACT GASKET (INTERIOR) | EPDM | GRP |
| ㉑ | SMI-SB03 | 2 PER GL. | SETTING BLOCKS (1/4" X 1/2" X 4" LG.) | | - |
| ㉒ | SMI-SB07 | 2 PER GL. | SETTING BLOCKS (1/4" X 1 1/4" X 4" LG.) | | - |
| ㉓ | SMI-477 | AS REQ'D | INNER CORNER KEY, STRUCTURAL ALUMINUM ANGLE (3/8" X 4" X 4") | 6061-T6 | - |
| ㉔ | CWS | AS REQ'D | GLAZING COMPOUND | SILICONE | DOWSIL |
| ㉕ | 795 | AS REQ'D | GLAZING COMPOUND | SILICONE | DOWSIL |
| ㉖ | 995 | AS REQ'D | GLAZING COMPOUND | SILICONE | DOWSIL |
| ㉗ | #12 X 1 1/2" | 2/CORNER | FRAME ASSEMBLY SCREWS | ST. STEEL | HH MACHINE SCREW (DOOR FRAME JAMB TO HEAD ASSY.) |
| ㉘ | #12 X 1 1/2" | 8/CORNER KEY | DOOR LEAF ASSEMBLY SCREWS | ST. STEEL | PFHSS TYPE A MACHINE SCREW (DOOR LEAF CORNER ASSY.) |
| ㉙ | #12 X 1" | 2 PER EA. END | HORIZONTAL RAIL FASTENER | ST. STEEL | PFHSS TYPE A MACHINE SCREW (AT HORIZONTAL RAIL ENDS) |
| ㉚ | 300352 | 1 EA. | DOOR PIVOT CEILING PLATE | ST. STEEL | SYSTEM ONE - FRITSJURGENS |
| ㉛ | 200201 | 1 EA. | DOOR TOP PIVOT | ST. STEEL | SYSTEM ONE - FRITSJURGENS |
| ㉜ | 400601 | 1 EA. | DOOR FLOOR PLATE | ST. STEEL | SYSTEM ONE - FRITSJURGENS |
| ㉝ | 100101 | 1 EA. | DOOR BOTTOM PIVOT | ST. STEEL | SYSTEM ONE - FRITSJURGENS |
| ㉞ | 2002 | 1 EA. | DOOR MULTIPPOINT LOCK HARDWARE | ST. STEEL | REGENT SERIES 2002 3-POINT HOOK BOLT MORTISE LOCK |
| ㉟ | 2062 | 1 EA. | DOOR MULTIPPOINT LOCK HARDWARE | ST. STEEL | REGENT SERIES 2062 3-POINT MORTISE LOCK |
| ㊱ | - | 1 EA. | DOOR LEVER HANDLE/MORTICE LOCK | ST. STEEL | INTERLOCK/ASSA ABLOY OPTIMUM MORTICE LOCK - 2 POINT APEX MINI LEVER SET |
| ㊲ | - | 1 EA. | DOOR LEVER HANDLE/MORTICE LOCK | ST. STEEL | INTERLOCK/ASSA ABLOY OPTIMUM MORTICE LOCK - 4 POINT APEX MINI LEVER SET |
| ㊳ | - | 1 EA. | DOOR LEVER HANDLE COMPRESSION LOCK | ST. STEEL | INTERLOCK/ASSA ABLOY 4 POINT LEVER COMPRESSION LOCK |

PROJECT NAME: VISTA VIEW PIVOT OUTSWING/INSWING DOOR

DRAWING NUMBER: VVPIVOTDR2021-06-14

SHT. 13 OF 14

DRAW BY: M.G.

SCALE:

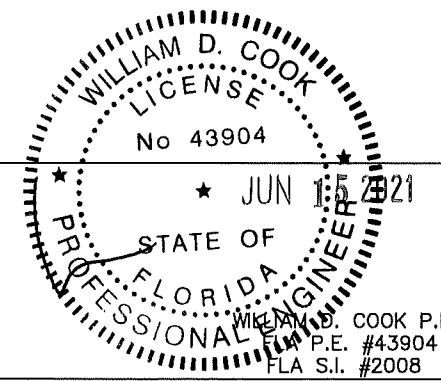
PRODUCT APPROVAL NO.: FL39161

DATE: 06/14/2021

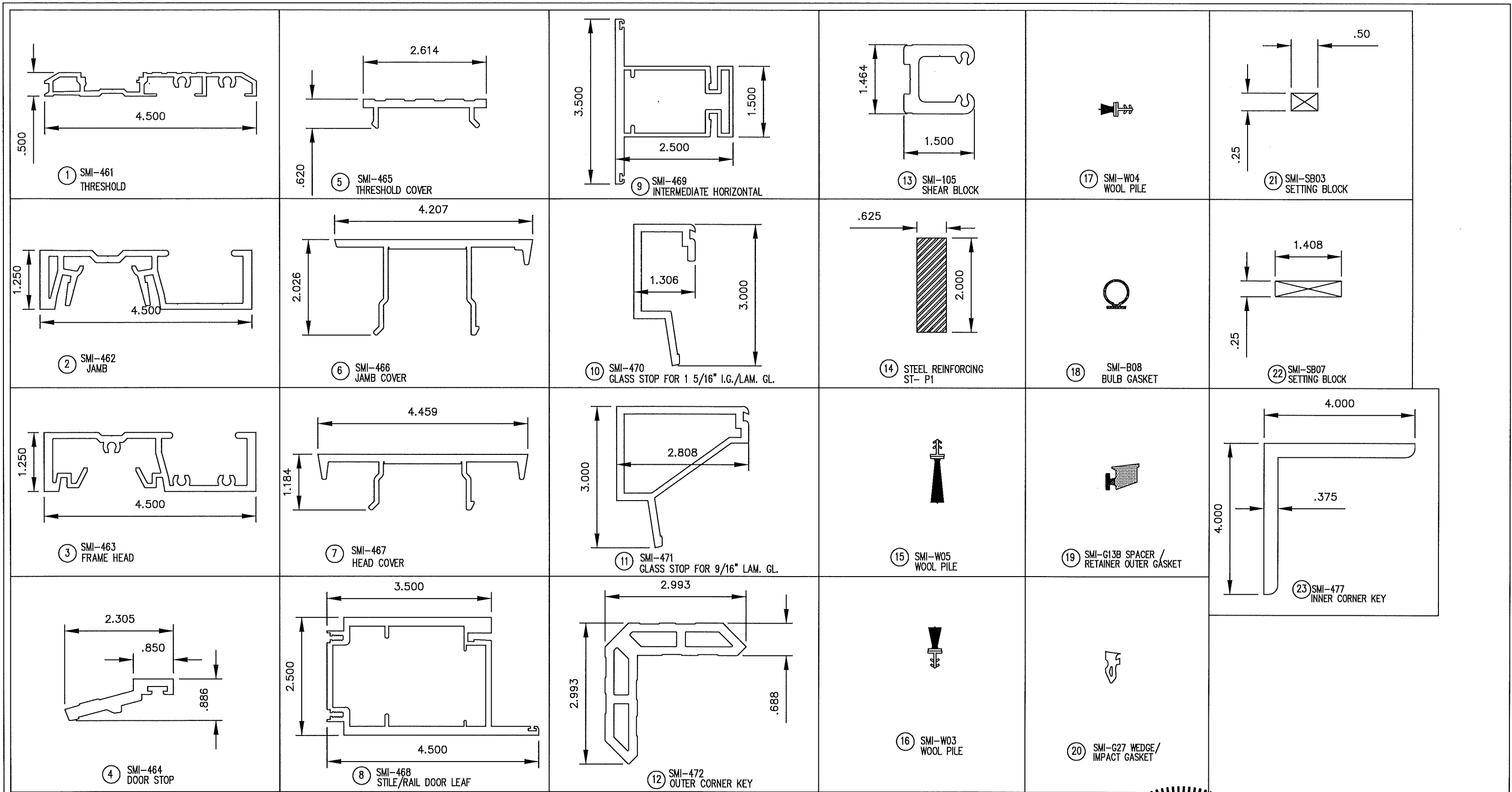


4250 CORAL RIDGE DRIVE
CORAL SPRINGS, FL 33065
PHONE: 954-784-6900
FAX: 954-688-9816


SEAL



BROMLEY-COOK ENGINEERING, INC.
STRUCTURAL ENGINEERING SERVICES
5440 N.W. 33RD AVENUE SUITE 100
FORT LAUDERDALE, FLORIDA 33309
TEL: (954) 772-4624

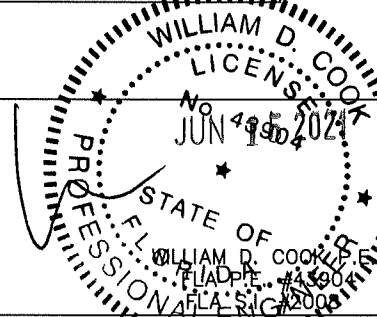


| | | |
|---|------------------|-----------------------|
| PROJECT NAME: VISTA VIEW PIVOT OUTSWING/INSWING DOOR | | |
| DRAWING NUMBER: VPIVOTDR2021-06-14 | DRAW BY: M.G. | PRODUCT APPROVAL NO.: |
| SHT. 14 OF 14 | SCALE: | DATE: 06/14/2021 |


ALDORA
 ALUMINUM AND GLASS PRODUCTS, INC.

4250 CORAL RIDGE DRIVE
 CORAL SPRINGS, FL 33065
 PHONE: 954-784-6900
 FAX: 954-688-9816

SEAL



BROMLEY-COOK ENGINEERING, INC.
 STRUCTURAL ENGINEERING SERVICES
 5440 N.W. 33RD AVENUE SUITE 100
 FORT LAUDERDALE, FLORIDA 33309
 TEL: (954) 772-4624