

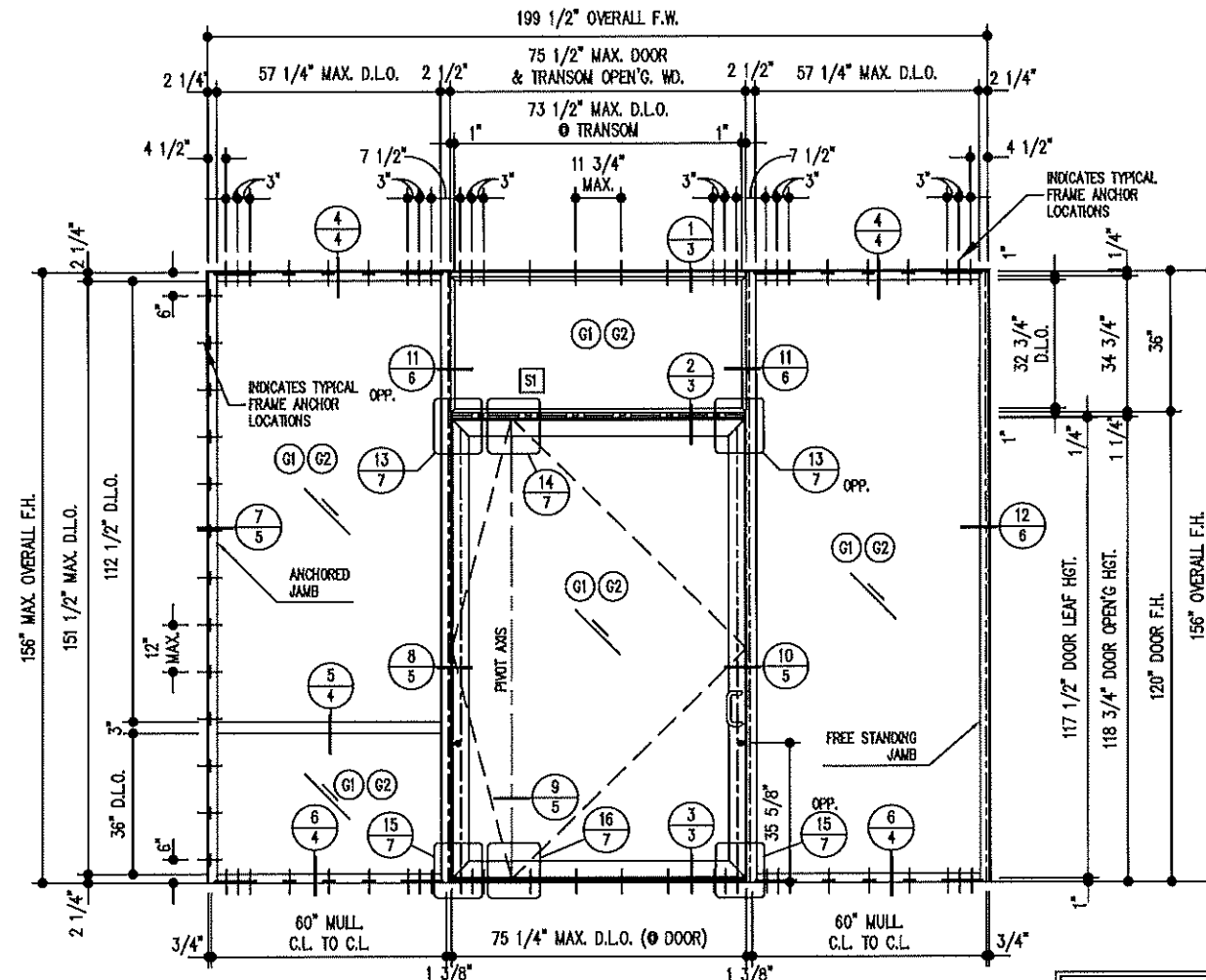
**SERIES "VISTA VIEW" PIVOT OUTSWING/INSWING
DOOR WITH TRANSOM & SIDELITE
LARGE MISSILE IMPACT (HVHZ)**

GENERAL NOTES:

1. THIS PRODUCT IS DESIGNED TO COMPLY WITH THE CURRENT FLORIDA BUILDING CODE (FBC 2020) 7th EDITION (HVHZ).
2. GLAZING SYSTEM TESTED FOR LARGE MISSILE IMPACT AS PER MIAMI-DADE COUNTY PROTOCOLS (TAS 201, 202 & 203) HURRICANE WIND-BORNE DEBRIS PROTECTION IS NOT REQUIRED.
3. THIS ENTRANCE DOOR IS NOT WATER RESISTANT. TO BE USED ONLY WHERE WATER RESISTANCE IS NOT REQUIRED OR 1:1 ROOF OVERHANG IS PROVIDED PER FBC.
4. CODE REQUIREMENTS FOR SAFEGUARDS MUST BE OBSERVED.
5. BUCKS ARE BY OTHERS AND MUST BE ANCHORED PROPERLY TO THE STRUCTURE. BUCKS SHALL BE DESIGNED BY SPECIALTY ENGINEER OR E.O.R.
6. ANCHORS SHALL BE AS LISTED BELOW AND SPACED AS SHOWN ON ELEVATION. FRAME ANCHOR EMBEDMENT TO BASE MATERIAL SHALL BE BEYOND WALL DRESSING OR STUCCO.
7. ALL SUBSTRATES, BUCKS OR ANCHOR CONDITIONS SHALL BE QUALIFIED BY A SPECIALTY ENGINEER OR E.O.R.
8. ALL ALUMINUM FRAMES SHALL BE ISOLATED FROM STEEL AND CONCRETE WITH HIGH STRENGTH STRUCTURAL PLASTIC SHIMS OR AS PER FBC.

INSTRUCTIONS:

- STEP 1 - DETERMINE DOOR, TRANSOM AND SIDELITE FRAME SIZE(S) (MAXIMUM ALLOWABLE FRAME SIZES SHALL NOT EXCEED FRAME SIZES SHOWN ON ELEVATION HEREIN.)
- STEP 2 - DETERMINE DESIGN WIND LOAD REQUIREMENT BASED ON WIND VELOCITY, BLDG. HEIGHT, WIND ZONE USING APPLICABLE ASCE 7 STANDARDS FOR COMPONENTS AND CLADDING OR USE DESIGN PRESSURES AS DETERMINED BY ARCHITECT/ENGINEER OF RECORD. (MAXIMUM ALLOWABLE DESIGN PRESSURE SHALL NOT EXCEED +/-55 P.S.F.)
- STEP 3 - SELECT ANCHOR OPTION(S) BASED ON SUBSTRATES FROM "FRAME ANCHOR TYPES" SCHEDULE ON THIS PAGE



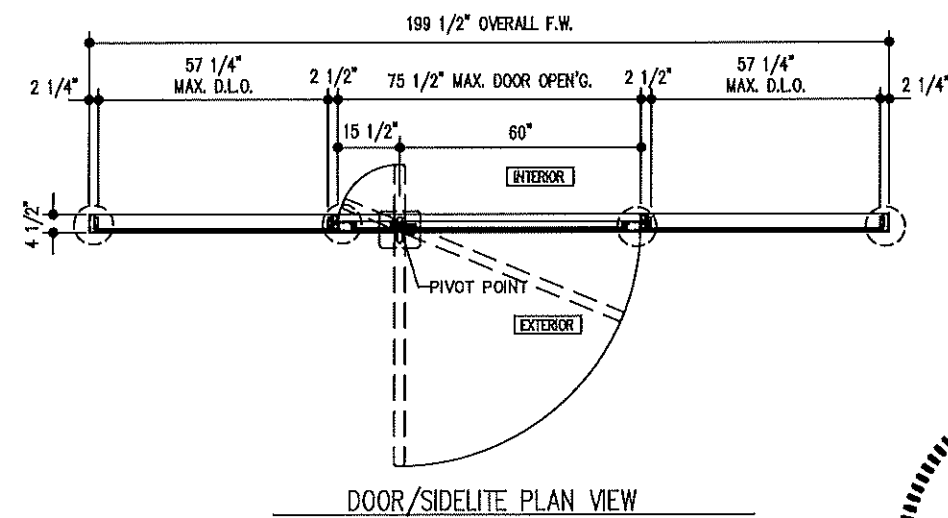
DOOR ONLY INSTALLATION NOTE:
FOR DOOR ONLY INSTALLATION, SEE
PRODUCT APPROVAL FL39161.1.

Pd (max.) = +/-55.0 PSF

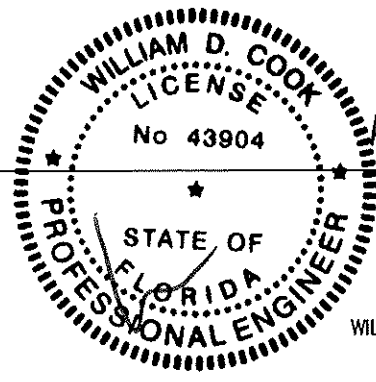
NOT TESTED FOR WATER INFILTRATION

DOOR/TRANSOM/SIDELITE ELEVATION
STL. REINFORCEMENT AT STILES & MULLIONS + ADA THRESHOLD +
3 POINT LOCK AT LOCKING STILE + 2 POINT LOCK AT PIVOT STILE

FRAME ANCHOR TYPES:	
1.	1/4" DIA. H.H. ULTRACONS OR EQUAL INTO 3000 P.S.I. MIN. GROUT FILLED C.M.U. WITH 1 1/2" MIN. EMBED. MIN. EDGE DISTANCE = 2 1/2"
2.	1/4" DIA. H.H. ULTRACONS OR EQUAL INTO 3000 P.S.I. POURED CONC. WITH 1 1/2" MIN. EMBED. MIN. EDGE DISTANCE = 2 1/2"
3.	1/4" DIA. H.H. ULTRACONS OR EQUAL THRU 3/4" NOMINAL THICKNESS WOOD BUCK WITH 1 1/2" MIN. EMBED. INTO CONC. MIN. EDGE DISTANCE = 2 1/2"
4.	1/4" DIA. H.H. ULTRACONS OR EQUAL INTO 1 1/2" NOMINAL THICKNESS (2 X 6) WOOD BUCK WITH 1 3/4" MIN. EMBED INTO STRUCTURAL WOOD FRAMING. (MIN. SPECIFIC GRAVITY = 0.55) MIN. EDGE DISTANCE = 1 1/4"
5.	#14 X 1 1/4" H.H. SELF THREADING SCREWS (DEWALT ELCO "DRILL-FLEX" OR "TEKS") INTO STEEL OR ALUMINUM FRAMING (STEEL: A36 MIN. YIELD STRENGTH - 1/8" MIN. THICKNESS) (ALUMINUM: 6063-T5 MIN. ALLOY/TEMPER) FASTENERS MUST PENETRATE THRU METAL SUBSTRATE A MINIMUM OF 1/4"



DOOR/SIDELITE PLAN VIEW



APR 18 2022

PROJECT NAME: VISTA VIEW PIVOT OUTSWING/INSWING DOOR W/ TRANSOM & SIDELITES		
DRAWING NUMBER: VVPIVOTDRTS2022-03-25	DRAW BY: M.G.	PRODUCT APPROVAL NO.: FL39161.2
SHT. 1 OF 10	SCALE: 1/4"=1'-0"	DATE: 04/18/2022

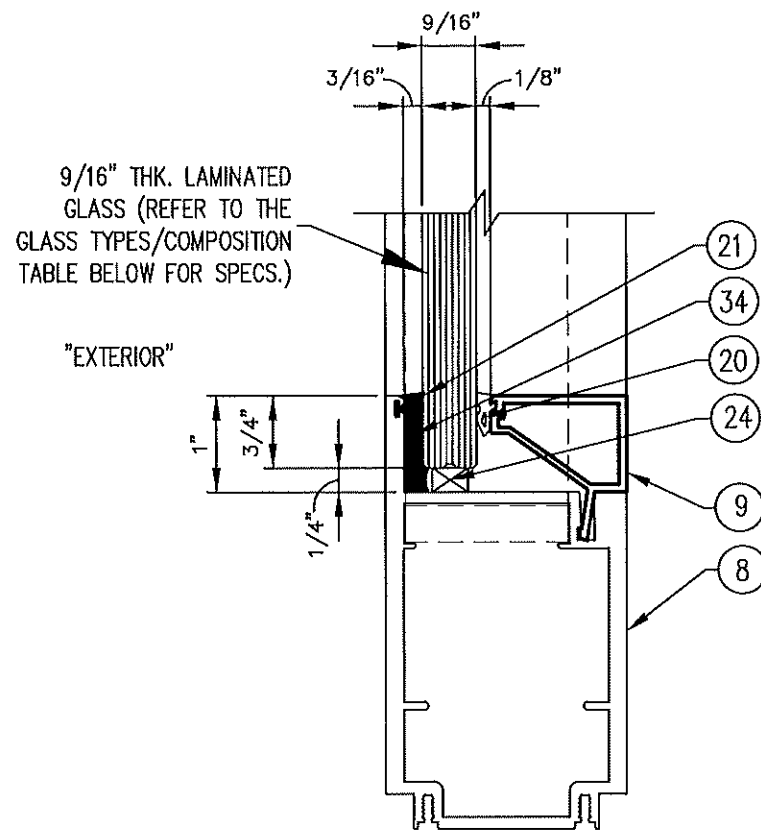

ALDORA
 ALUMINUM AND GLASS PRODUCTS, INC.

4250 CORAL RIDGE DRIVE
 CORAL SPRINGS, FL 33065
 PHONE: 954-784-6900
 FAX: 954-688-9816

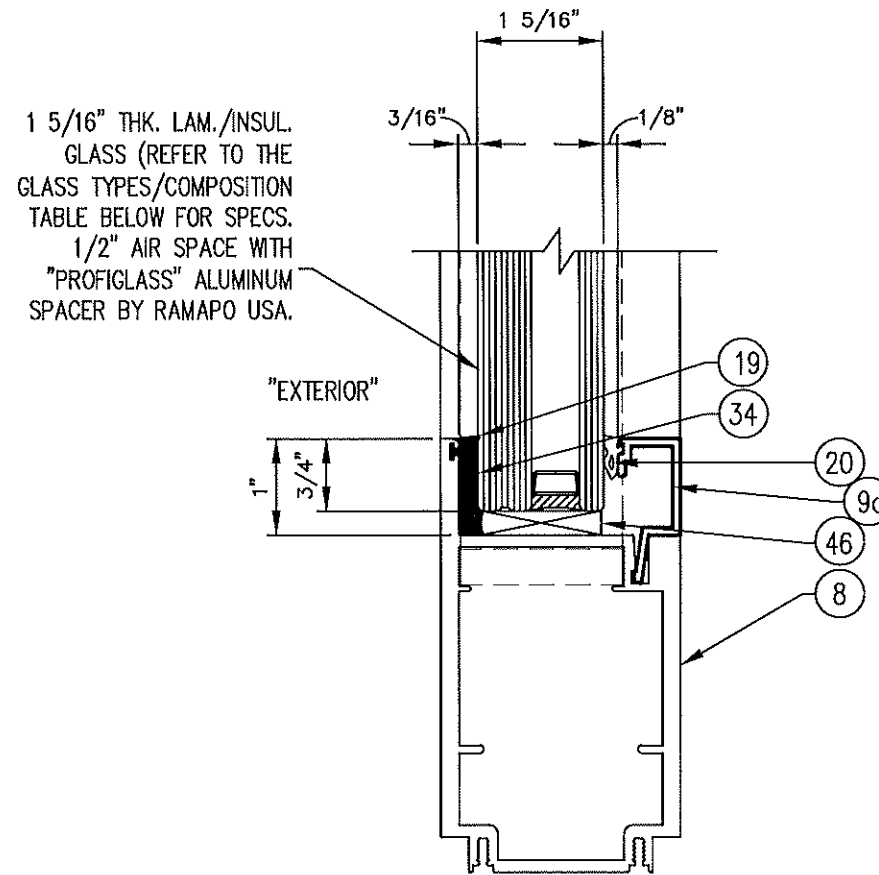
SEAL

WILLIAM D. COOK P.E.
FLA P.E. #43904
FLA S.I. #2008

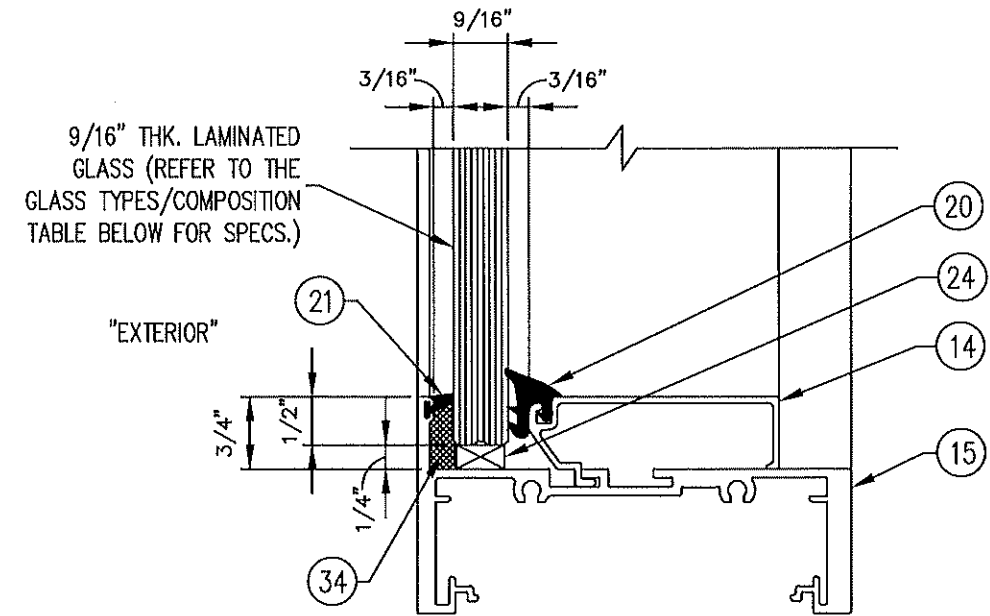
BROMLEY-COOK ENGINEERING, INC.
STRUCTURAL ENGINEERING SERVICES
5440 N.W. 33RD AVENUE SUITE 100
FORT LAUDERDALE, FLORIDA 33309
TEL: (954) 772-4624



G1 TYPICAL GLAZING DETAIL (@ DOOR)
(9/16" LAMINATED GLASS)



G2 TYPICAL GLAZING DETAIL (@ DOOR)
(1 5/16" INSULATED/LAMINATED GLASS)



G1 TYPICAL GLAZING DETAIL (@ SIDELITE)
(9/16" LAMINATED GLASS)

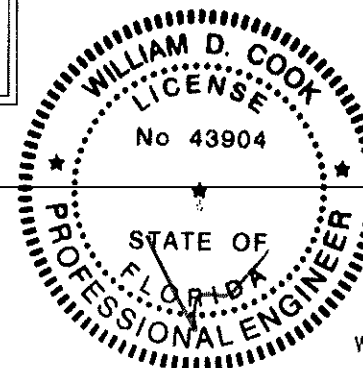
GLASS TYPE/COMPOSITION:		
GLASS MK:	GLASS TYPE:	COMPOSITION:
G1	9/16" THK. LAMINATED	1/4" HEAT STRENGTHENED + .075" THK. "SAFLEX STORM" INTERLAYER + 1/4" HEAT STRENGTHENED
G2	1 5/16" THK. INSULATED/LAMINATED	1/4" HEAT STRENGTHENED + .090" THK. "SENTRYGLAS PLUS" INTERLAYER + 1/4" HEAT STRENGTHENED + 1/2" AIRSPACE + 1/4" TEMPERED

PROJECT NAME: VISTA VIEW PIVOT OUTSWING/INSWING DOOR W/ TRANSOM & SIDELITES		
DRAWING NUMBER: VVPVOTDRTS2022-03-25	DRAW BY: M.G.	PRODUCT APPROVAL NO.: FL39161.2
SHT. 2 of 10	SCALE: 1/2" = 1"	DATE: 04/18/2022



4250 CORAL RIDGE DRIVE
CORAL SPRINGS, FL 33065
PHONE: 954-784-6900
FAX: 954-688-9816

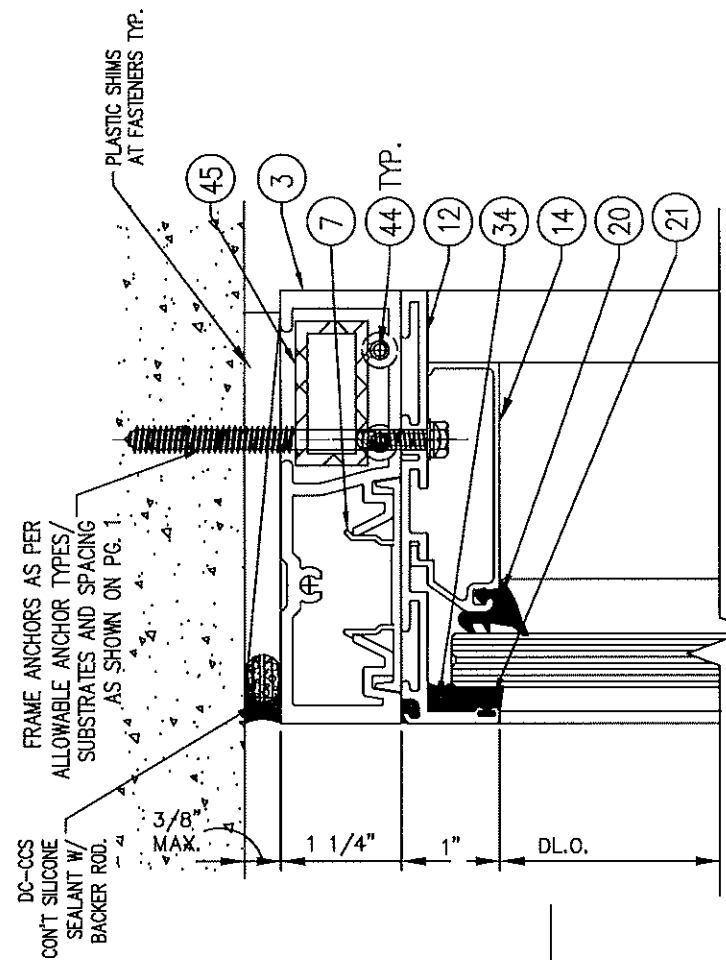
SEAL



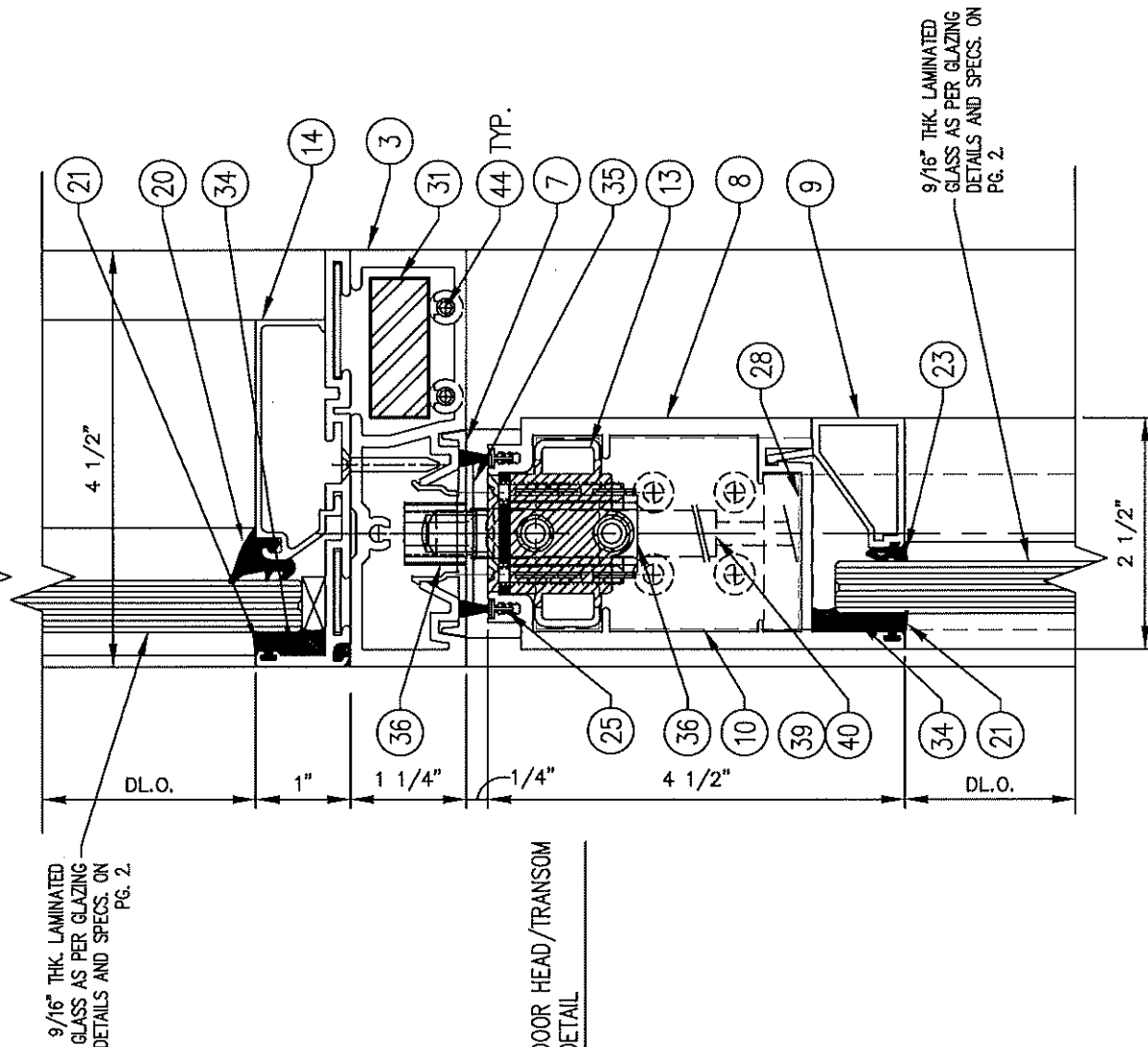
APR 18 2022

WILLIAM D. COOK P.E.
FLA. P.E. #43904
FLA. S.I. #2008

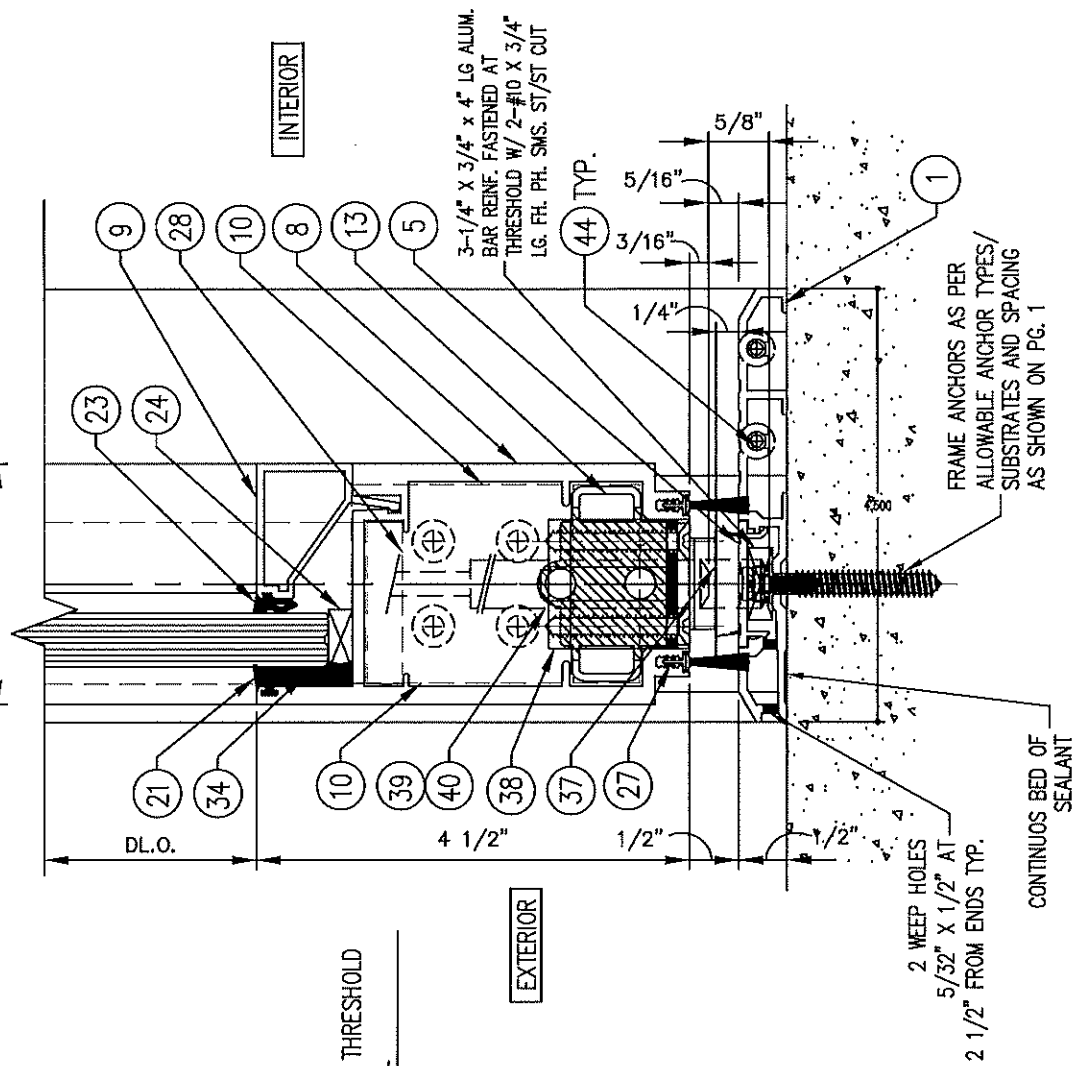
BROMLEY-COOK ENGINEERING, INC.
STRUCTURAL ENGINEERING SERVICES
5440 N.W. 33RD AVENUE SUITE 100
FORT LAUDERDALE, FLORIDA 33309
TEL: (954) 772-4624



TRANSOM HEAD
DETAIL
1
3



DOOR HEAD/TRANSOM
DETAIL
2
3

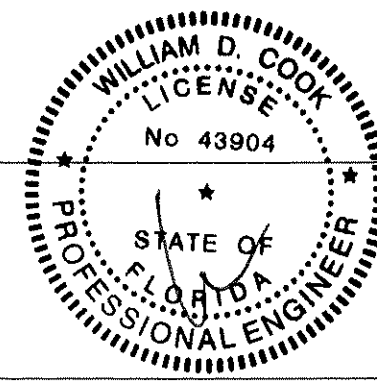


DOOR THRESHOLD
DETAIL
3
3

PROJECT NAME: VISTA VIEW PIVOT OUTSWING/INSWING DOOR W/ TRANSOM & SIDELITES		
DRAWING NUMBER: VVPIVOTDRTS2022-03-25	DRAW BY: M.G.	PRODUCT APPROVAL NO.: FL39161.2
SHT. 3 OF 10	SCALE: 1/2" = 1"	DATE: 04/18/2022


ALDORA
 ALUMINUM AND GLASS PRODUCTS, INC.

4250 CORAL RIDGE DRIVE
 CORAL SPRINGS, FL 33065
 PHONE: 954-784-6900
 FAX: 954-688-9816

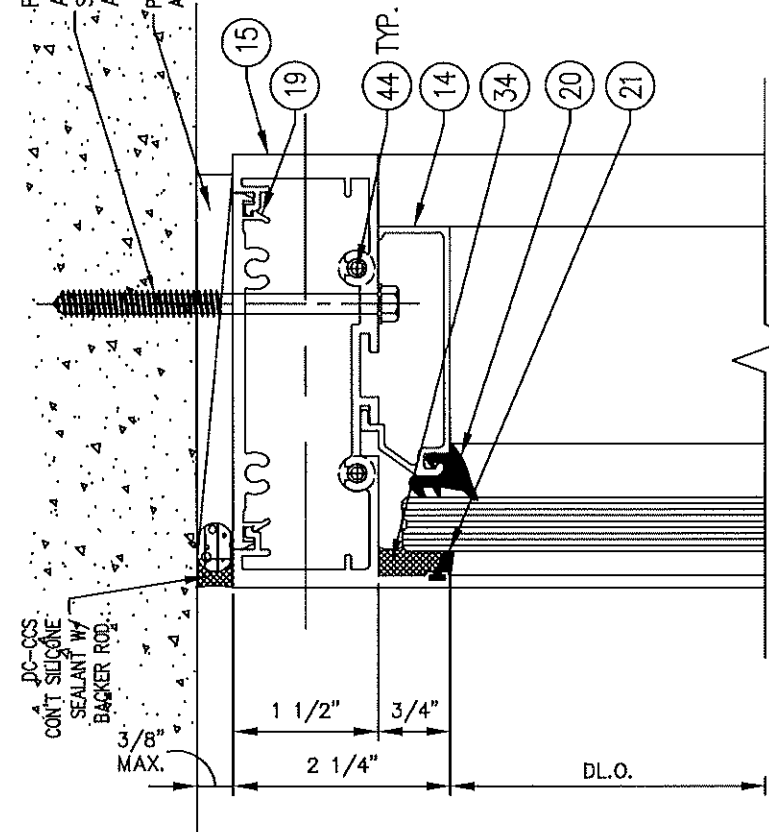


APR 18 2022

WILLIAM D. COOK P.E.
FLA. P.E. #43904
FLA. S.I. #2008

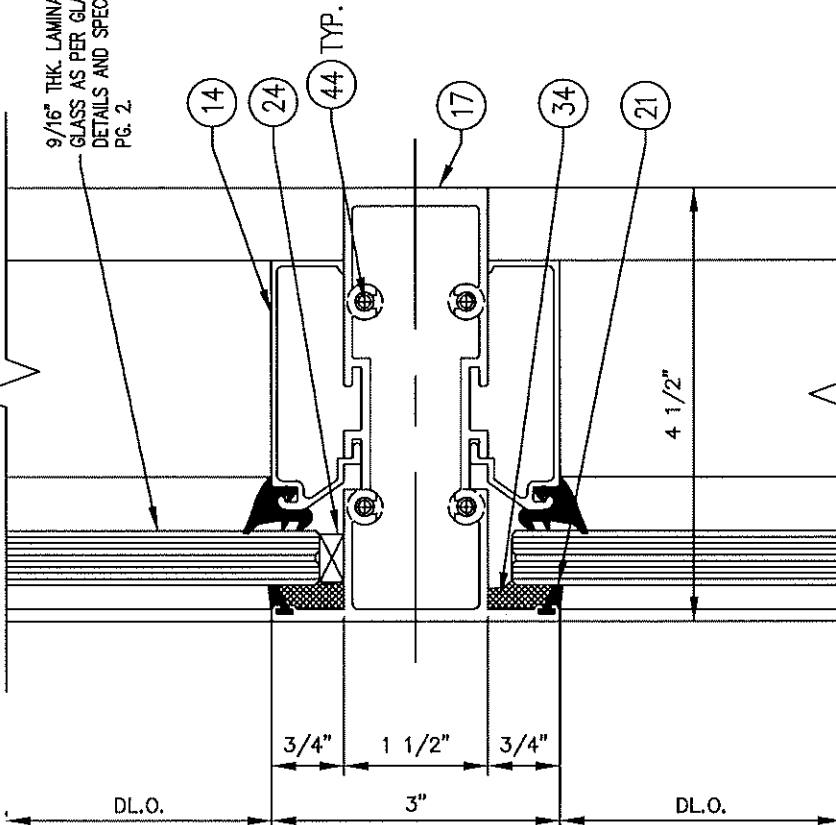
BROMLEY-COOK ENGINEERING, INC.
 STRUCTURAL ENGINEERING SERVICES
 5440 N.W. 33RD AVENUE SUITE 100
 FORT LAUDERDALE, FLORIDA 33309
 TEL: (954) 772-4624

FRAME ANCHORS AS PER ALLOWABLE ANCHOR TYPES/ SUBSTRATES AND SPACING AS SHOWN ON PG. 1



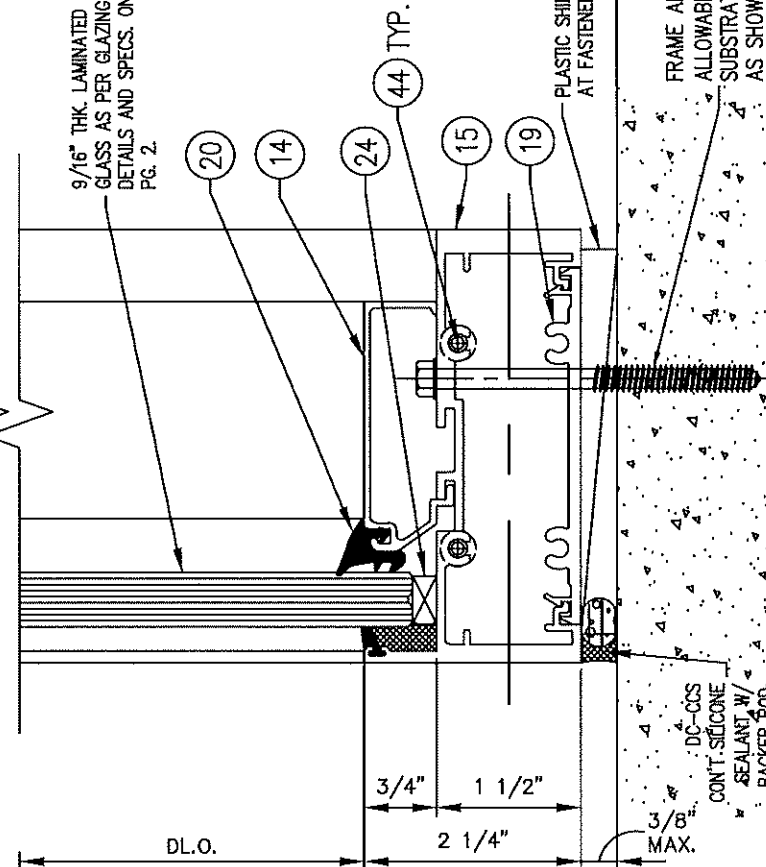
SIDELITE HEAD
DETAIL
4
4

9/16" THK. LAMINATED GLASS AS PER GLAZING DETAILS AND SPECS. ON PG. 2



SIDELITE INTERMEDIATE
HORIZONTAL
DETAIL
5
4

9/16" THK. LAMINATED GLASS AS PER GLAZING DETAILS AND SPECS. ON PG. 2



SIDELITE SILL
DETAIL
6
4

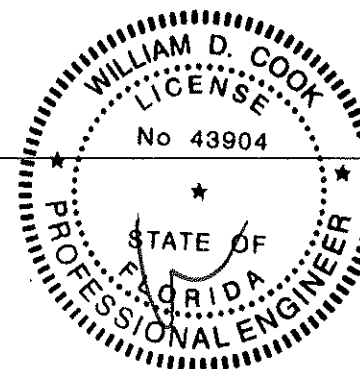
FRAME ANCHORS AS PER ALLOWABLE ANCHOR TYPES/ SUBSTRATES AND SPACING AS SHOWN ON PG. 1

PROJECT NAME: VISTA VIEW PIVOT OUTSWING/INSWING DOOR W/ TRANSOM & SIDELITES		
DRAWING NUMBER: VVPivotDRTS2022-03-25	DRAW BY: M.G.	PRODUCT APPROVAL NO.: FL39161.2
SHT. 4 OF 10	SCALE: 1/2" = 1"	DATE: 04/18/2022



4250 CORAL RIDGE DRIVE
CORAL SPRINGS, FL 33065
PHONE: 954-784-6900
FAX: 954-688-9816

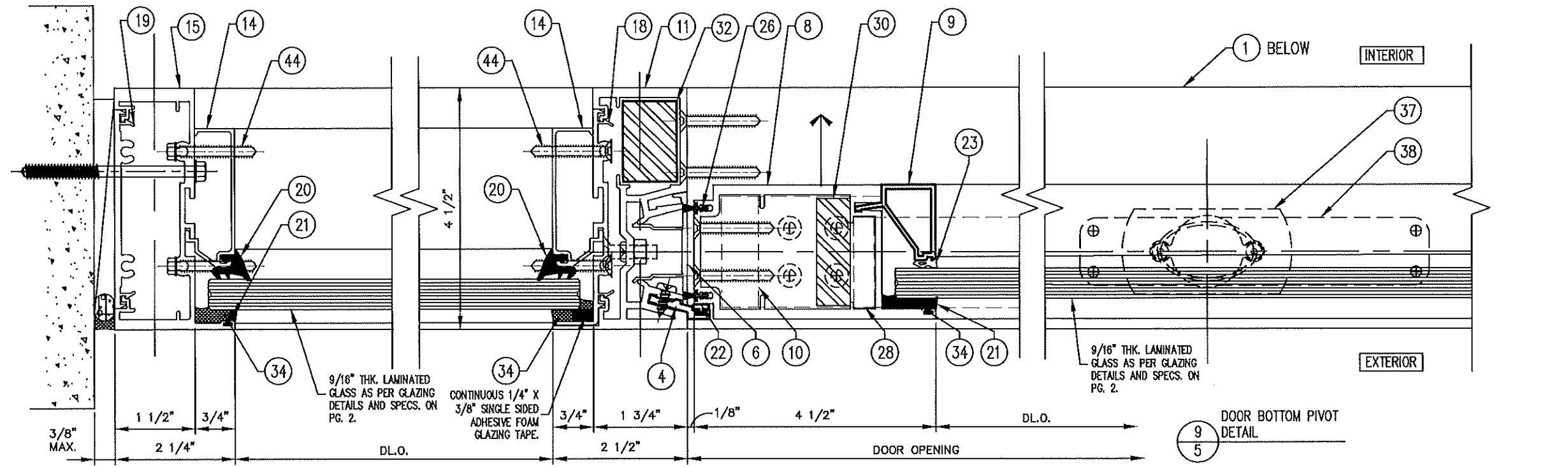
SEAL



APR 18 2022

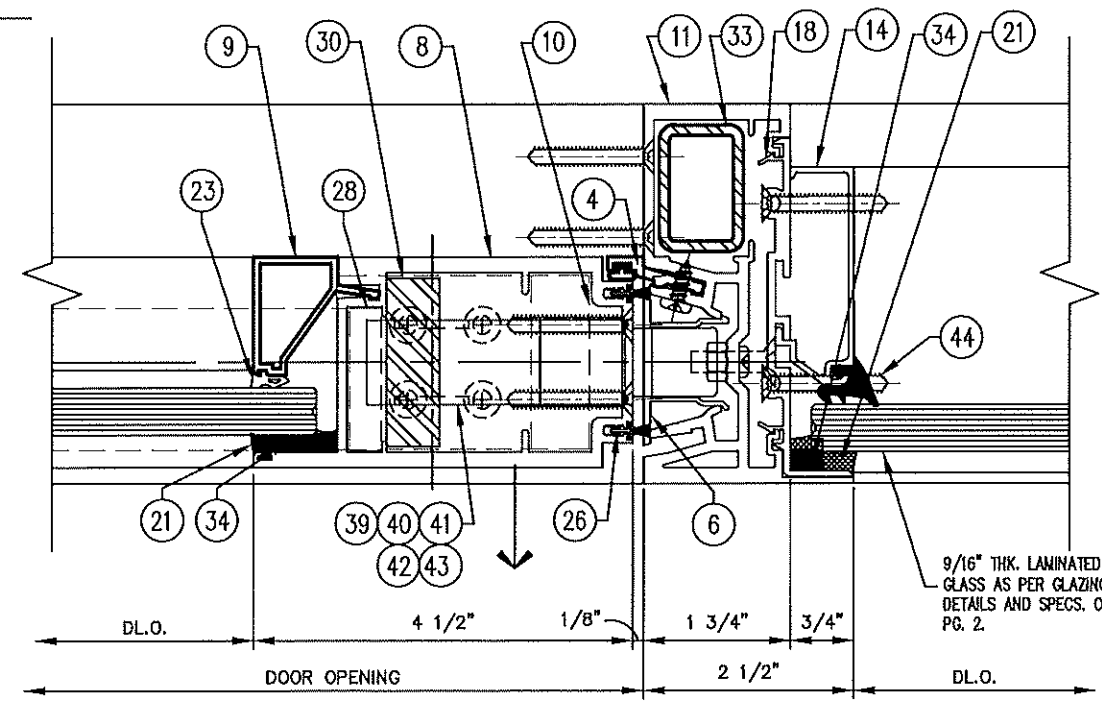
WILLIAM D. COOK P.E.
FLA P.E. #43904
FLA S.I. #2008

BROMLEY-COOK ENGINEERING, INC.
STRUCTURAL ENGINEERING SERVICES
5440 N.W. 33RD AVENUE SUITE 100
FORT LAUDERDALE, FLORIDA 33309
TEL: (954) 772-4624

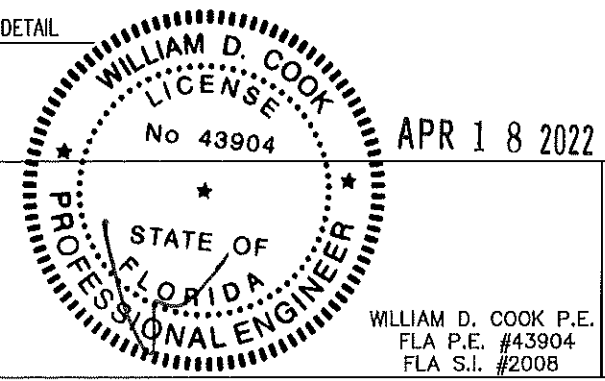


7 SIDELITE JAMB DETAIL
5 (ANCHORED JAMB)

8 DOOR JAMB DETAIL
5



10 DOOR JAMB DETAIL
5



PROJECT NAME: VISTA VIEW PIVOT OUTSWING/INSWING DOOR W/ TRANSOM & SIDELITES		
DRAWING NUMBER: VVPIVOTDRTS2022-03-25	DRAW BY: M.G.	PRODUCT APPROVAL NO.: FL39161.2
SHT. 5 OF 10	SCALE: .4375" = 1"	DATE: 04/18/2022

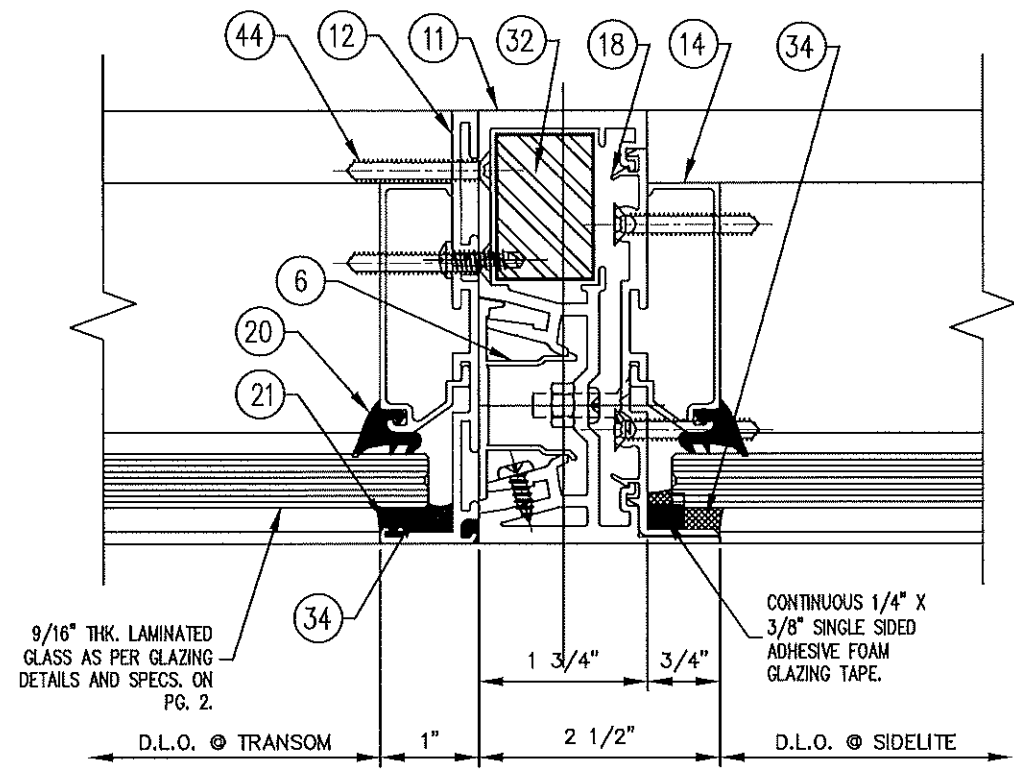

ALDORA
 ALUMINUM AND GLASS PRODUCTS, INC.

4250 CORAL RIDGE DRIVE
 CORAL SPRINGS, FL 33065
 PHONE: 954-784-6900
 FAX: 954-688-9816

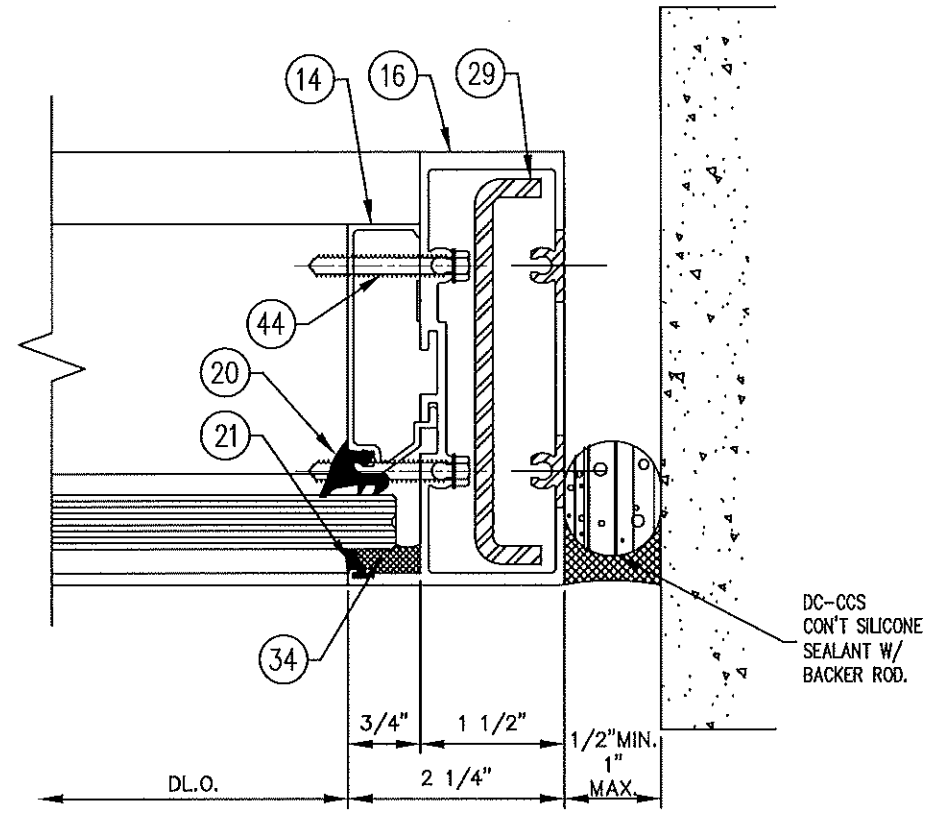
SEAL

WILLIAM D. COOK P.E.
 FLA P.E. #43904
 FLA S.I. #2008

BROMLEY-COOK ENGINEERING, INC.
 STRUCTURAL ENGINEERING SERVICES
 5440 N.W. 33RD AVENUE SUITE 100
 FORT LAUDERDALE, FLORIDA 33309
 TEL: (954) 772-4624



11 VERTICAL MULLION
6 (@ TRANSOM)

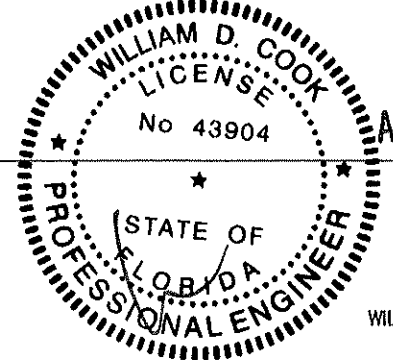


12 SIDELITE JAMB DETAIL
6 (FREE STANDING JAMB)

PROJECT NAME: VISTA VIEW PIVOT OUTSWING/INSWING DOOR W/ TRANSOM & SIDELITES		
DRAWING NUMBER: VVPivotDRTS2022-03-25	DRAW BY: M.G.	PRODUCT APPROVAL NO.: FL39161.2
SHT. 6 of 10	SCALE: 1/2" = 1"	DATE: 04/18/2022


ALDORA
 ALUMINUM AND GLASS PRODUCTS, INC.

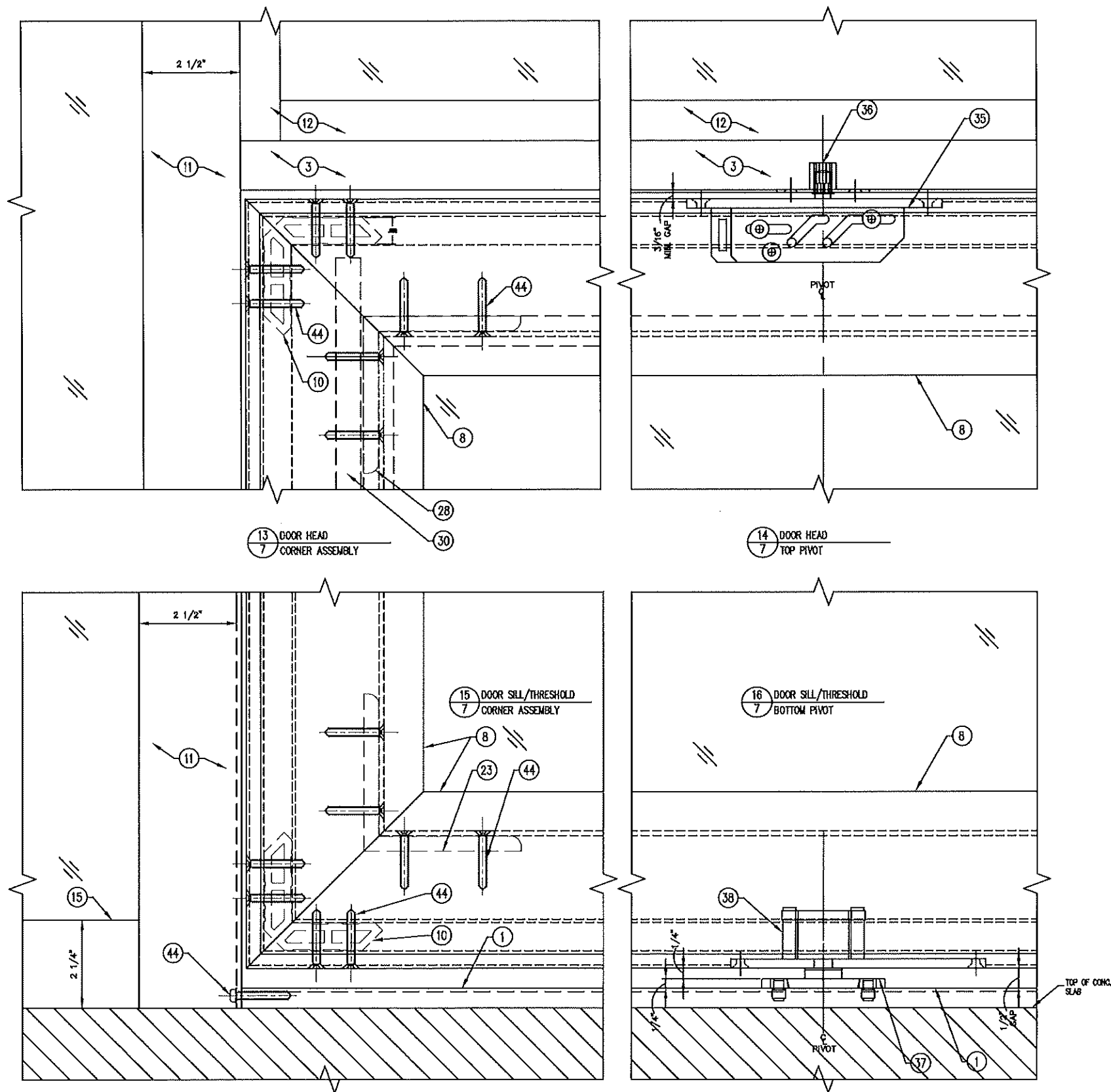
4250 CORAL RIDGE DRIVE
 CORAL SPRINGS, FL 33065
 PHONE: 954-784-6900
 FAX: 954-688-9816



APR 18 2022

WILLIAM D. COOK P.E.
 FLA P.E. #43904
 FLA S.I. #2008

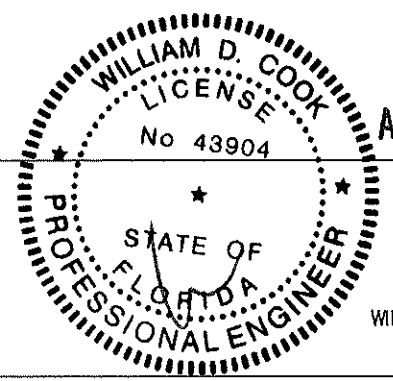
BROMLEY-COOK ENGINEERING, INC.
 STRUCTURAL ENGINEERING SERVICES
 5440 N.W. 33RD AVENUE SUITE 100
 FORT LAUDERDALE, FLORIDA 33309
 TEL: (954) 772-4624



PROJECT NAME: VISTA VIEW PIVOT OUTSWING/INSWING DOOR W/ TRANSOM & SIDELITES		
DRAWING NUMBER: VPIVOTDRTS2022-03-25	DRAW BY: M.G.	PRODUCT APPROVAL NO.: FL39161.2
SHT. 7 OF 10	SCALE: 1/2" = 1"	DATE: 04/18/2022


ALDORA
 ALUMINUM AND GLASS PRODUCTS, INC.

4250 CORAL RIDGE DRIVE
 CORAL SPRINGS, FL 33065
 PHONE: 954-784-6900
 FAX: 954-688-9816

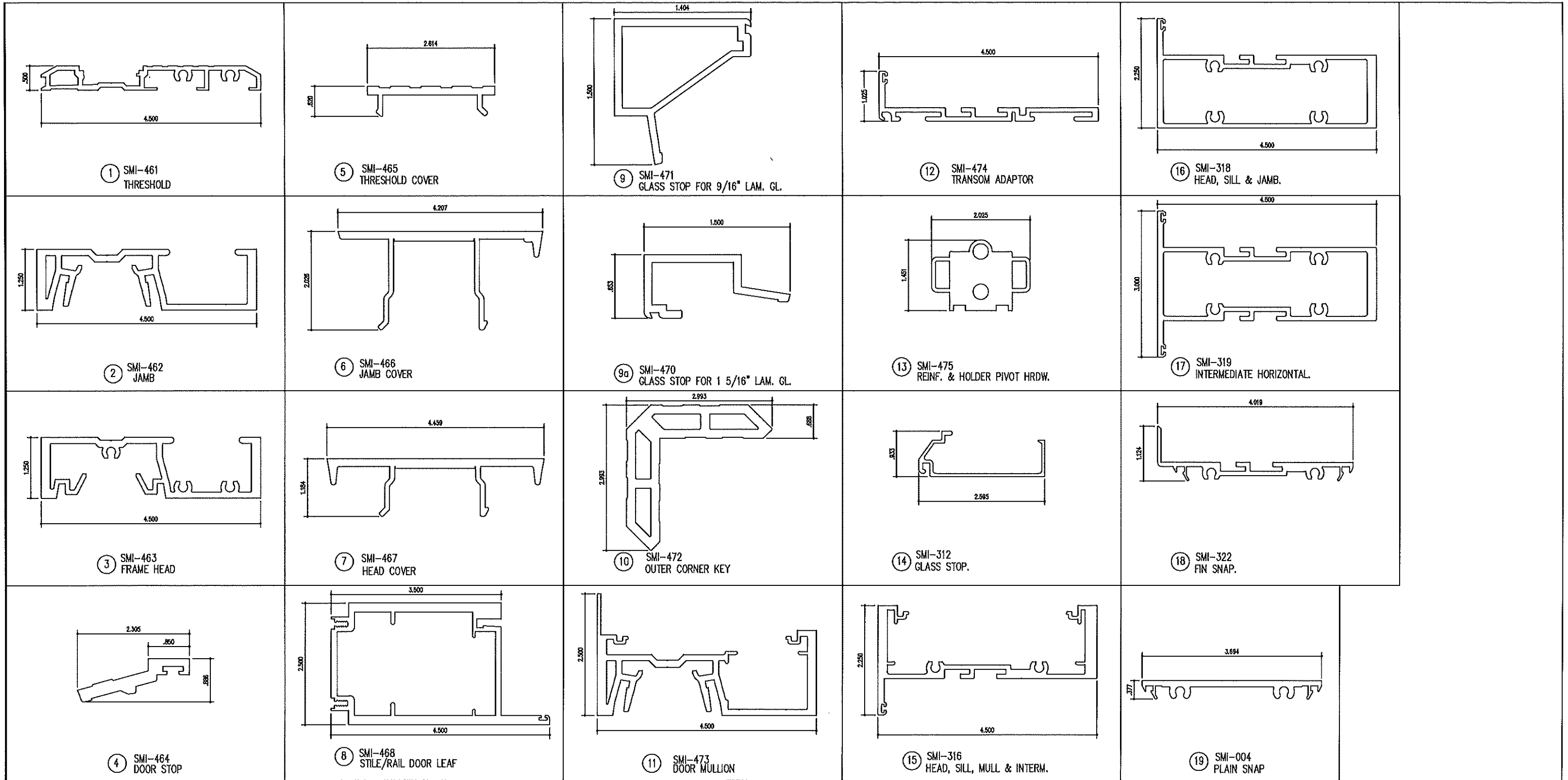


APR 18 2022

SEAL

WILLIAM D. COOK P.E.
 FLA P.E. #43904
 FLA S.I. #2008

BROMLEY-COOK ENGINEERING, INC.
 STRUCTURAL ENGINEERING SERVICES
 5440 N.W. 33RD AVENUE SUITE 100
 FORT LAUDERDALE, FLORIDA 33309
 TEL: (954) 772-4624



PROJECT NAME: VISTA VIEW PIVOT OUTSWING/INSWING DOOR W/ TRANSOM & SIDELITES		
DRAWING NUMBER: VVPVOTDRTS2022-03-25	DRAW BY: M.G.	PRODUCT APPROVAL NO.: FL39161.2
SHT. 8 OF 10	SCALE: 1/2" = 1"	DATE: 04/18/2022


ALDORA
 ALUMINUM AND GLASS PRODUCTS, INC.

4250 CORAL RIDGE DRIVE
 CORAL SPRINGS, FL 33065
 PHONE: 954-784-6900
 FAX: 954-688-9816

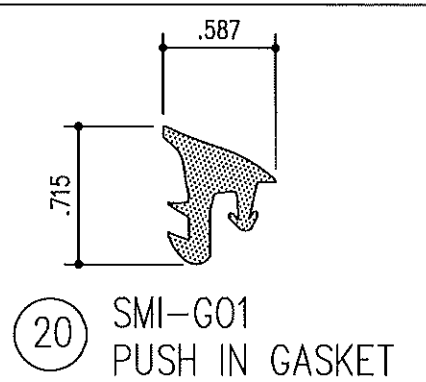
SEAL

WILLIAM D. COOK
 LICENSE
 No 43904
 STATE OF
 FLORIDA
 PROFESSIONAL ENGINEER

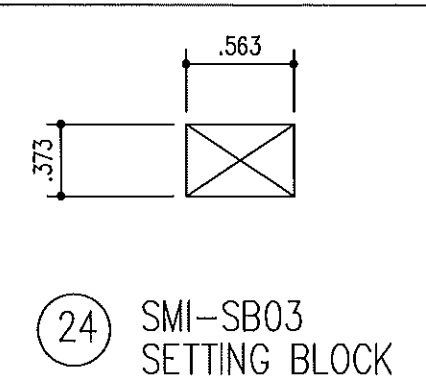
APR 18 2022

WILLIAM D. COOK P.E.
 FLA P.E. #43904
 FLA S.I. #2008

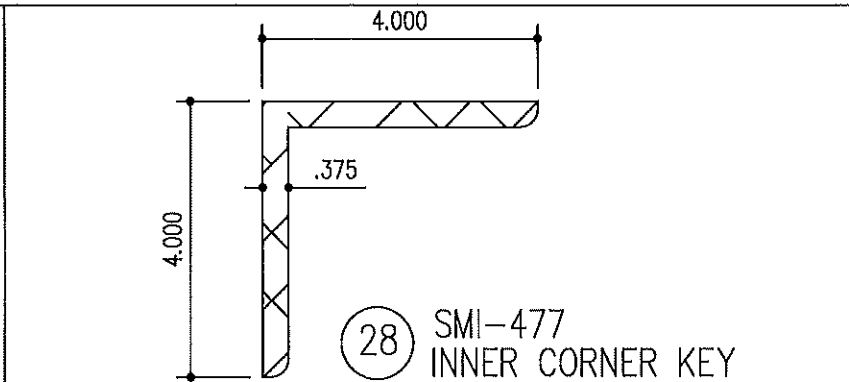
BROMLEY-COOK ENGINEERING, INC.
 STRUCTURAL ENGINEERING SERVICES
 5440 N.W. 33RD AVENUE SUITE 100
 FORT LAUDERDALE, FLORIDA 33309
 TEL: (954) 772-4624



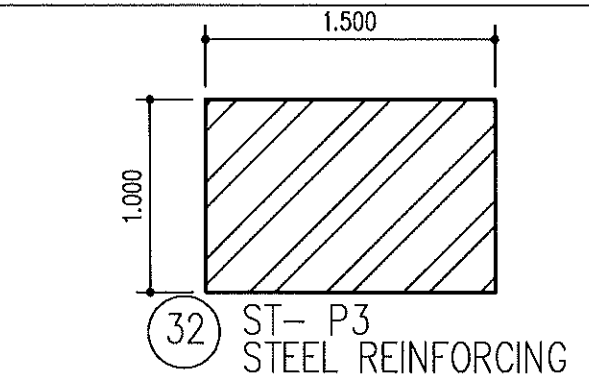
20 SMI-G01
PUSH IN GASKET



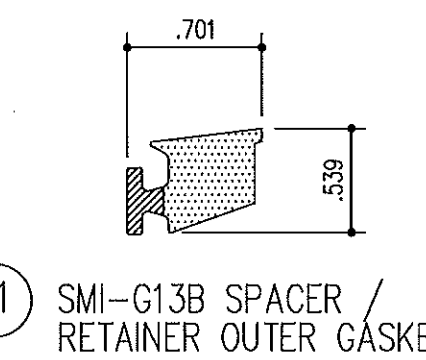
24 SMI-SB03
SETTING BLOCK



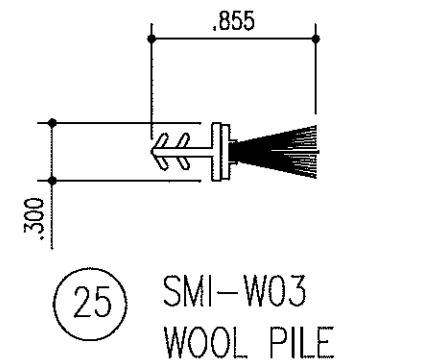
28 SMI-477
INNER CORNER KEY



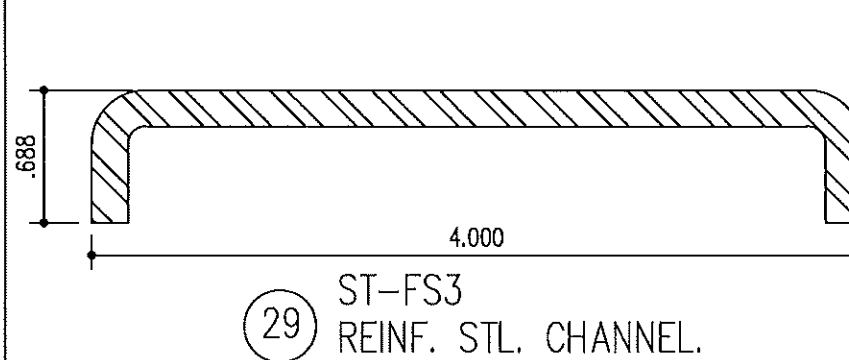
32 ST-P3
STEEL REINFORCING



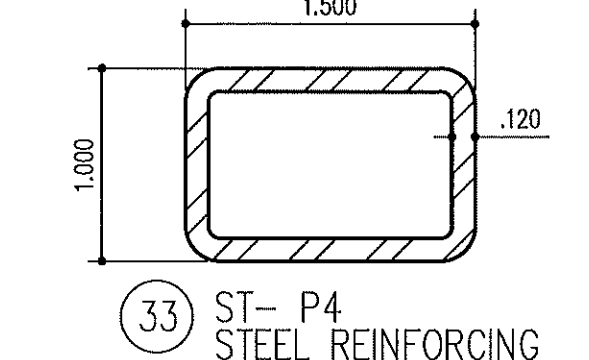
21 SMI-G13B SPACER /
RETAINER OUTER GASKET



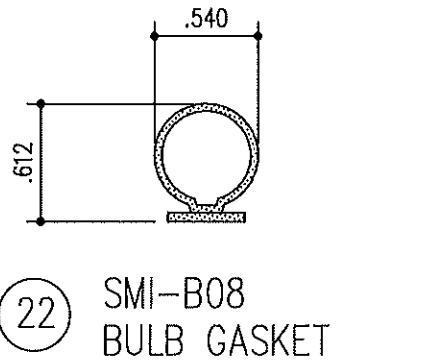
25 SMI-W03
WOOL PILE



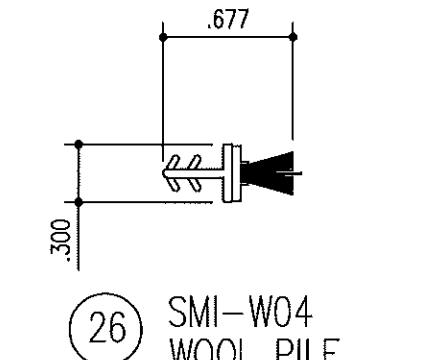
29 ST-FS3
REINF. STL. CHANNEL.



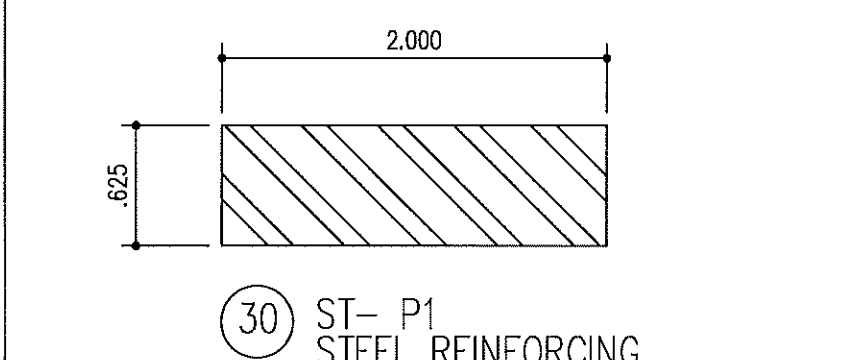
33 ST-P4
STEEL REINFORCING



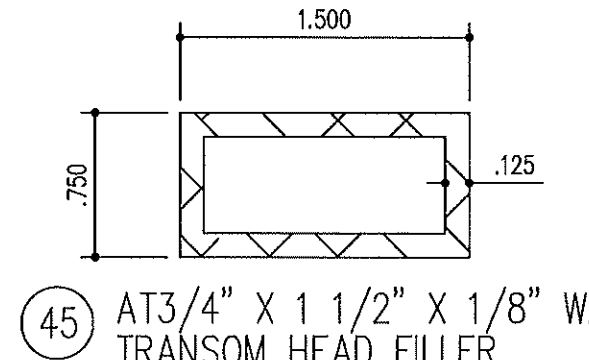
22 SMI-B08
BULB GASKET



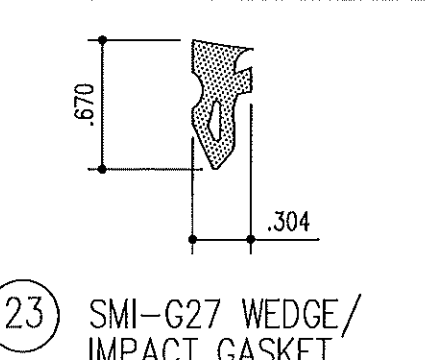
26 SMI-W04
WOOL PILE



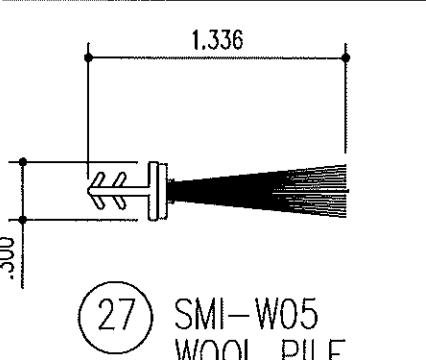
30 ST-P1
STEEL REINFORCING



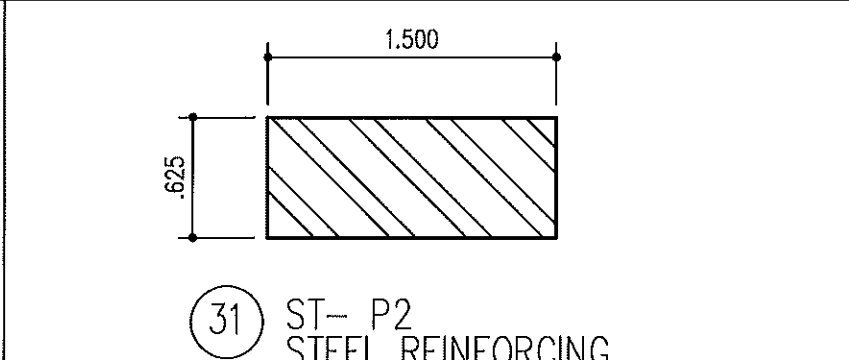
45 AT3/4" X 1 1/2" X 1/8" WALL
TRANSOM HEAD FILLER



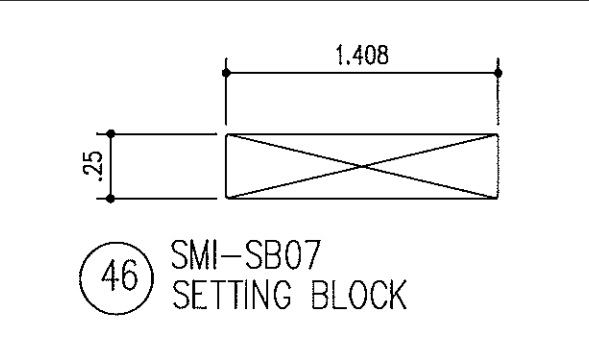
23 SMI-G27 WEDGE /
IMPACT GASKET



27 SMI-W05
WOOL PILE



31 ST-P2
STEEL REINFORCING



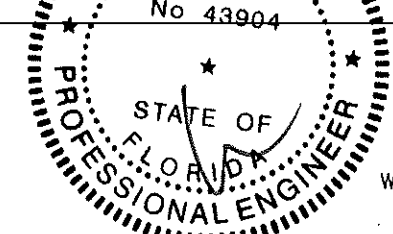
46 SMI-SB07
SETTING BLOCK

PROJECT NAME: VISTA VIEW PIVOT OUTSWING/INSWING DOOR W/ TRANSOM & SIDELITES		
DRAWING NUMBER: VPIVOTDRTS2022-03-25	DRAW BY: M.G.	PRODUCT APPROVAL NO.: FL39161.2
SHT. 9 of 10	SCALE: FULL SIZE	DATE: 04/18/2022


ALDORA
 ALUMINUM AND GLASS PRODUCTS, INC.

4250 CORAL RIDGE DRIVE
 CORAL SPRINGS, FL 33065
 PHONE: 954-784-6900
 FAX: 954-688-9816

SEAL



WILLIAM D. COOK P.E.
FLA P.E. #43904
FLA S.I. #2008

APR 18 2022

BROMLEY-COOK ENGINEERING, INC.
 STRUCTURAL ENGINEERING SERVICES
 5440 N.W. 33RD AVENUE SUITE 100
 FORT LAUDERDALE, FLORIDA 33309
 TEL: (954) 772-4624

BILL OF MATERIALS

ITEM #	PART #	REQ'D	DESCRIPTION	MATERIAL	MANF. / SUPPLIER / REMARKS
①	SMI-461	AS REQ'D	THRESHOLD	6063-T6	--
②	SMI-462	AS REQ'D	JAMB	6063-T6	--
③	SMI-463	AS REQ'D	FRAME HEAD	6063-T6	--
④	SMI-464	AS REQ'D	DOOR STOP	6063-T6	--
⑤	SMI-465	AS REQ'D	THRESHOLD COVER	6063-T6	--
⑥	SMI-466	AS REQ'D	JAMB COVER	6063-T6	--
⑦	SMI-467	AS REQ'D	HEAD COVER	6063-T6	--
⑧	SMI-468	AS REQ'D	STILE/RAIL DOOR LEAF	6063-T6	--
⑨	SMI-471	AS REQ'D	DOOR GLASS STOP FOR 9/16" LAM. GLASS.	6063-T6	--
⑩	SMI-470	AS REQ'D	DOOR GLASS STOP FOR 1 5/16" LAM. GLASS.	6063-T6	--
⑪	SMI-472	AS REQ'D	OUTER CORNER KEY	6063-T6	--
⑫	SMI-473	AS REQ'D	DOOR MULLION.	6063-T6	--
⑬	SMI-474	AS REQ'D	TRANSOM ADAPTOR.	6063-T6	--
⑭	SMI-475	AS REQ'D	REINF. & HOLDER PIVOT HRDW.	6005-T5	--
⑮	SMI-312	AS REQ'D	SIDELITE/TRANSOM GLASS STOP	6063-T6	--
⑯	SMI-316	AS REQ'D	SIDELITE FRAME HEAD, SILL, JAMB	6063-T6	--
⑰	SMI-318	AS REQ'D	SIDELITE FRAME JAMB (FREE STANDING)	6063-T6	--
⑱	SMI-319	AS REQ'D	INTERMEDIATE HORIZONTAL	6063-T6	--
⑲	SMI-322	AS REQ'D	FIN SNAP.	6063-T6	--
⑳	SMI-004	AS REQ'D	PLAIN SNAP.	6063-T6	--
㉑	SMI-G01	AS REQ'D	WEDGE IMPACT GASKET	EPDM	
㉒	SMI-G13B	AS REQ'D	SPACER / RETAINER OUTER GASKET	SANTOPRENE	MELTPOINT PLASTICS
㉓	SMI-B08	AS REQ'D	BULB GASKET	SILICONE	ULTRAFAB
㉔	SMI-G27	AS REQ'D	WEDGE IMPACT GASKET	EPDM	
㉕	SMI-SB03	2 PER GL.	SETTING BLOCKS (1/4" X 1/2" X 4" LG.)		--
㉖	SMI-W03	AS REQ'D	WOOL PILE	WOOL	ULTRAFAB
㉗	SMI-W04	AS REQ'D	WOOL PILE	WOOL	ULTRAFAB
㉘	SMI-W05	AS REQ'D	WOOL PILE	WOOL	ULTRAFAB
㉙	SMI-477	AS REQ'D	INNER CORNER KEY, STRUCTURAL ALUMINUM ANGLE (3/8" X 4" X 4")	6061-T6	--
㉚	ST-FS3	AS REQ'D	3/16" THK. - 11/16" X 4" X 11/16" STEEL REINFORCING FORMED CHANNEL.	STEEL	
㉛	ST-P1	AS REQ'D	5/8" THK. - X 2" STEEL REINFORCING BAR.	STEEL	
㉜	ST-P2	AS REQ'D	5/8" X 1 1/2" STEEL REINFORCING BAR.	STEEL	
㉝	ST-P3	AS REQ'D	1" X 1 1/2" STEEL REINFORCING BAR.	STEEL	
㉞	ST-P4	AS REQ'D	1" X 1 1/2" X .120 THK. STEEL REINFORCING TUBE.	STEEL	
㉟	795	AS REQ'D	GLAZING COMPOUND	SILICONE	DOWSIL
㊱	300352	1 EA.	DOOR PIVOT CEILING PLATE	ST. STEEL	SYSTEM ONE - FRITSJURGENS
㊲	200201	1 EA.	DOOR TOP PIVOT	ST. STEEL	SYSTEM ONE - FRITSJURGENS
㊳	400601	1 EA.	DOOR FLOOR PLATE	ST. STEEL	SYSTEM ONE - FRITSJURGENS
㊴	100101	1 EA.	DOOR BOTTOM PIVOT	ST. STEEL	SYSTEM ONE - FRITSJURGENS
㊵	2002	1 EA.	DOOR MULTIPPOINT LOCK HARDWARE	ST. STEEL	REGENT SERIES 2002 3-POINT HOOK BOLT MORTISE LOCK
㊶	2062	1 EA.	DOOR MULTIPPOINT LOCK HARDWARE	ST. STEEL	REGENT SERIES 2062 3-POINT MORTISE LOCK
㊷	-	1 EA.	DOOR LEVER HANDLE/MORTICE LOCK	ST. STEEL	INTERLOCK/ASSA ABLOY OPTIMUM MORTICE LOCK - 2 POINT APEX MINI LEVER SET
㊸	-	1 EA.	DOOR LEVER HANDLE/MORTICE LOCK	ST. STEEL	INTERLOCK/ASSA ABLOY OPTIMUM MORTICE LOCK - 4 POINT APEX MINI LEVER SET
㊹	-	1 EA.	DOOR LEVER HANDLE COMPRESSION LOCK	ST. STEEL	INTERLOCK/ASSA ABLOY 4 POINT LEVER COMPRESSION LOCK

BILL OF MATERIALS (CONT'D)

ITEM #	PART #	REQ'D	DESCRIPTION	MATERIAL	MANF. / SUPPLIER / REMARKS
④④	#12 X 1 1/2"	2/CORNER	FRAME ASSEMBLY SCREWS	ST. STEEL	HEX. OR F.H. HEAD MACHINE SCREW
④⑤	AT3/4" X 1 1/2" X 1/8" WALL	1 ○ TRANSOM FRAME HEAD	ALUM. TUBE FILLER FOR FRAME ANCHORS	6063-T6	EXTRUDED ALUM.
④⑥	SMI-SB07	2 PER GL.	SETTING BLOCKS (1/4" X 1 1/4" X 4" LG.)		--

PROJECT NAME: VISTA VIEW PIVOT OUTSWING/INSWING DOOR
W/ TRANSOM & SIDELITES

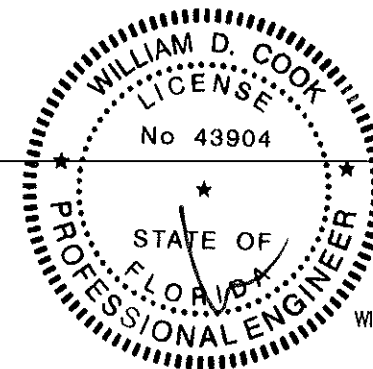
DRAWING NUMBER: VVPIVOTDRTS2022-03-25 DRAW BY: M.G. PRODUCT APPROVAL NO.: FL39161.2

SHT. 10 OF 10 SCALE: FULL SIZE DATE: 04/18/2022



4250 CORAL RIDGE DRIVE
CORAL SPRINGS, FL 33065
PHONE: 954-784-6900
FAX: 954-688-9816

SEAL



APR 18 2022

WILLIAM D. COOK P.E.
FLA P.E. #43904
FLA S.I. #2008

BROMLEY-COOK ENGINEERING, INC.
STRUCTURAL ENGINEERING SERVICES
5440 N.W. 33RD AVENUE SUITE 100
FORT LAUDERDALE, FLORIDA 33309
TEL: (954) 772-4624