

SERIES FRONT SET ALUMINUM WINDOW WALL SYSTEM

THIS SYSTEM MAY BE USED IN CONJUNCTION WITH F.B.C. APPROVED LARGE MISSILE IMPACT RESISTANT DOORS. LOWER DESIGN PRESSURE FROM STOREFRONT OR DOOR APPROVAL WILL APPLY TO ENTIRE SYSTEM.

THIS PRODUCT HAS BEEN DESIGNED AND TESTED TO COMPLY WITH THE REQUIREMENTS OF THE 2020 (7TH EDITION) FLORIDA BUILDING CODE INCLUDING HIGH VELOCITY HURRICANE ZONE (HVHZ).

1BY OR 2BY WOOD BUCKS & BUCK FASTENERS BY OTHERS, MUST BE DESIGNED AND INSTALLED ADEQUATELY TO TRANSFER APPLIED PRODUCT LOADS TO THE BUILDING STRUCTURE.

ANCHORS SHALL BE CORROSION RESISTANT, SPACED AS SHOWN ON DETAILS AND INSTALLED PER MANUF'S INSTRUCTIONS. SPECIFIED EMBEDMENT TO BASE MATERIAL SHALL BE BEYOND WALL DRESSING OR STUCCO.

A LOAD DURATION INCREASE IS USED IN DESIGN OF ANCHORS INTO WOOD ONLY.

ALL SHIMS TO BE HIGH IMPACT, NON-METALLIC AND NON-COMPRESSIBLE.

MATERIALS INCLUDING BUT NOT LIMITED TO STEEL/METAL SCREWS, THAT COME INTO CONTACT WITH OTHER DISSIMILAR MATERIALS SHALL MEET THE REQUIREMENTS OF THE 2020 FLORIDA BLDG. CODE & ADOPTED STANDARDS.

THIS PRODUCT APPROVAL IS GENERIC AND DOES NOT PROVIDE INFORMATION FOR A SITE SPECIFIC PROJECT, i.e. LIFE SAFETY OF THIS PRODUCT, ADEQUACY OF STRUCTURE RECEIVING THIS PRODUCT AND SEALING AROUND OPENING FOR WATER INFILTRATION RESISTANCE ETC. CONDITIONS NOT SHOWN IN THIS DRAWING ARE TO BE ANALYZED SEPARATELY, AND TO BE REVIEWED BY BUILDING OFFICIAL.

DESIGN LOADS SHOWN ARE BASED ON 'ALLOWABLE STRESS DESIGN (ASD)'.

MANUFACTURER'S LABEL SHALL BE LOCATED ON A READILY VISIBLE LOCATION IN ACCORDANCE WITH SECTION 1709.9.3 OF FLORIDA BUILDING CODE. LABELING TO COMPLY WITH SECTION 1709.9.2.

TYPICAL ELEVATIONS

INSTRUCTIONS: USE CHARTS AS FOLLOWS.

- STEP 1** DETERMINE DESIGN WIND PRESSURE REQUIREMENTS BASED ON WIND VELOCITY, BLDG. HEIGHT, WIND ZONE USING APPLICABLE ASCE 7 STANDARD.
- STEP 2** SEE CHARTS ON SHEETS 3 THRU 6.1 FOR DESIGN LOAD CAPACITY OF DESIRED GLASS SIZE.
- STEP 3** CHECK MULLION DESIGN LOAD CAPACITY FOR A GIVEN SPACING AND HEIGHT USING CHARTS ON SHEETS 7 THRU 11.1. THE CAPACITY SHOULD EXCEED THE DESIGN LOAD.
- STEP 4** USING CHARTS ON SHEETS 12 THRU 15 SELECT ANCHOR OPTION WITH DESIGN LOAD CAPACITY MORE THAN DESIGN LOAD SPECIFIED IN STEP 1 ABOVE.
- STEP 5** THE LOWEST VALUE RESULTING FROM STEPS 2, 3 AND 4 THAT EXCEED THE DESIGN WIND PRESSURES DETERMINED THRU STEP 1 SHALL APPLY TO ENTIRE SYSTEM.
- STEP 6** FOR UNANCHORED JAMBS, USING SHEET 21, DETERMINE THE MIN. & MAX. GAP DIMENSIONS.
- STEP 7** WHEN USING THIS SYSTEM WITH DOORS, SEE SHEETS 16 THRU 19.1 FOR DOOR MULLION AND DOOR MULLION ANCHOR CAPACITY. THE LOWER VALUE OF THE DESIGN PRESSURE RATING FOR THE SYSTEM AND THE DOOR SHALL APPLY.

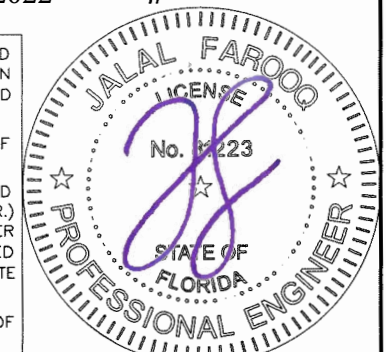
SINGLE 'O' PANEL:
 FRAME WIDTH = D.L.O. WIDTH + 4.50"
 FRAME HEIGHT = D.L.O. HEIGHT + 4.50"

PRODUCT COMPLIES WITH REQUIREMENTS OF ANSI Z97.1.

THIS SYSTEM IS RATED FOR LARGE & SMALL MISSILE IMPACT. SHUTTERS ARE NOT REQUIRED. WINDOW WALL FRAMES MAY BE WITH OR WITHOUT THERMAL BREAK.

Sealed: 4/27/2022 FL #19973

A- CONTRACTOR TO BE RESPONSIBLE FOR THE SELECTION, PURCHASE AND INSTALLATION OF THIS PRODUCT BASED ON THIS PRODUCT EVALUATION PROVIDED HE/SHE DOES NOT DEVIATE FROM THE CONDITIONS DETAILED ON THIS DOCUMENT.
 B- THIS PRODUCT EVALUATION DOCUMENT WILL BE CONSIDERED INVALID IF ALTERED BY ANY MEANS.
 C- SITE SPECIFIC PROJECTS SHALL BE PREPARED BY A FLORIDA REGISTERED ENGINEER OR ARCHITECT WHICH WILL BECOME THE ENGINEER OF RECORD (E.O.R.) FOR THE PROJECT AND WHO WILL BE RESPONSIBLE FOR THE PROPER USE OF THE P.E.D. ENGINEER OF RECORD, ACTING AS A DELEGATED ENGINEER TO THE P.E.D. ENGINEER SHALL SUBMIT TO THIS LATTER THE SITE SPECIFIC DRAWINGS FOR REVIEW.
 D- THIS P.E.D. SHALL BEAR THE DATE AND ORIGINAL SEAL AND SIGNATURE OF THE PROFESSIONAL ENGINEER OF RECORD THAT PREPARED IT.



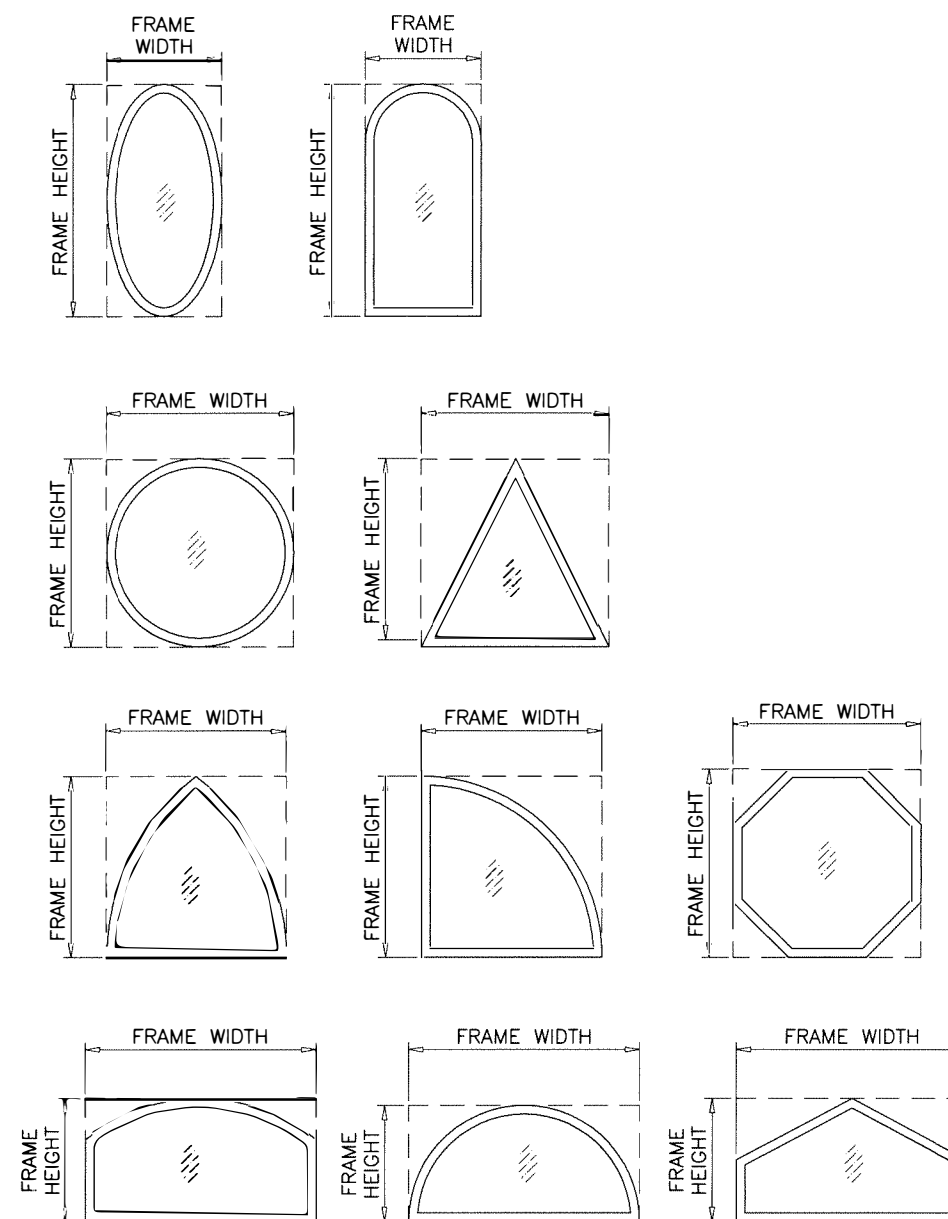
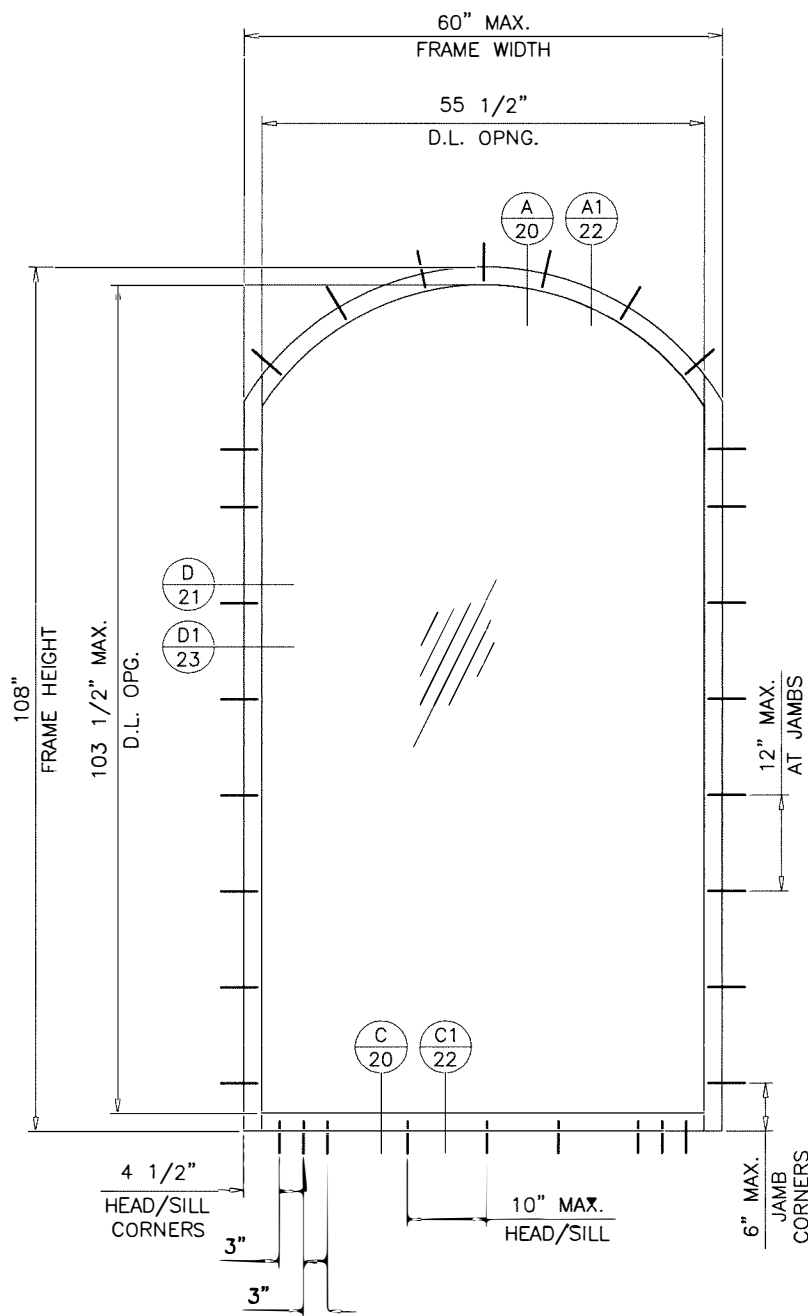
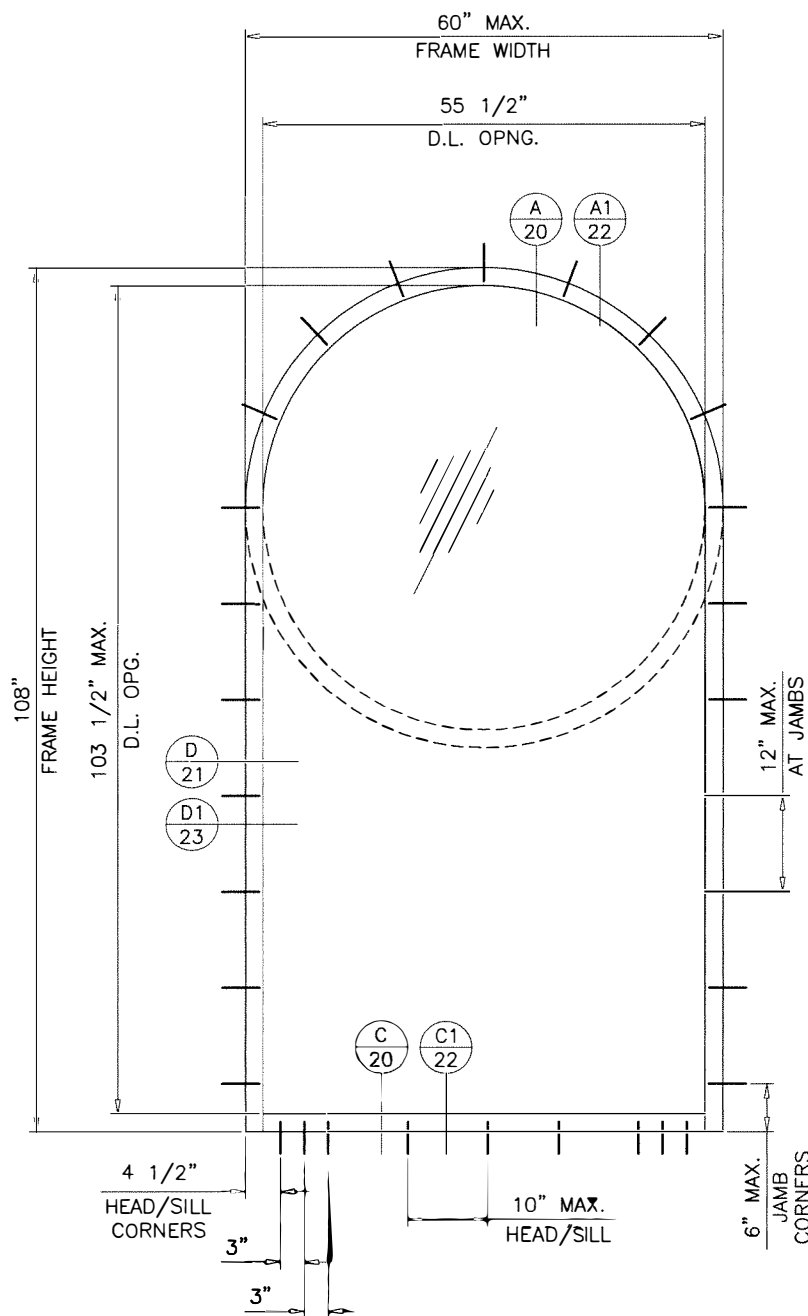
AL-FAROOQ CORPORATION
 ENGINEERS & PRODUCT DEVELOPMENT
 9360 SUNSET DRIVE, SUITE 220
 MIAMI, FLORIDA 33173
 TEL. (305) 264-8100 FAX. (305) 262-6978
 COMP-ANL\21-51FAGR

SERIES FRONT SET ALUM WINDOW WALL SYS. (L.M.I.)
Aldora Aluminum & Glass Products Inc.
 4250 Coral Ridge Drive, Suite 101
 Coral Springs, FL. 33065
 Tel. (954) 784-6900 Fax. (954) 784-6901

no	date	description
A	08.30.21	GLASS TYPE F. ADDED
B	03.29.22	GLASS TYPES E & F ADDED

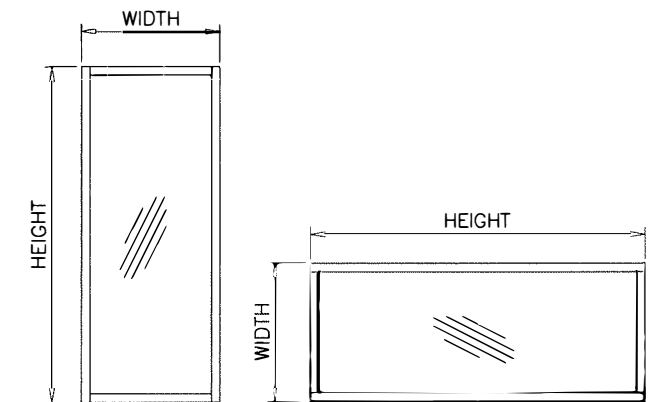
date: 06-10-21
 scale: 1/2"=1'-0"
 dr. by: TARIQ
 chn. by:

drawing no. 21-51F
 sheet 1 of 27



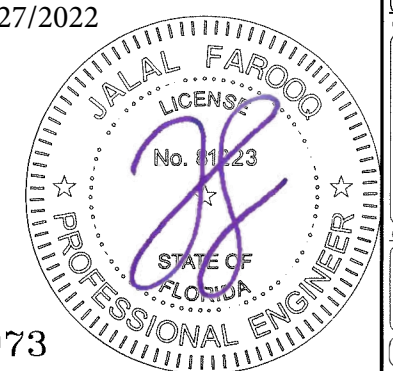
GLASS TYPE 'B' & 'Bi'
 MAXIMUM DESIGN LOAD RATING = + 80.0 PSF
 - 100.0 PSF
 (FOR SHAPES AND SIZE SHOWN ON THIS SHEET ONLY)

ALLOWABLE LOADS FOR ALTERNATE SHAPES AS SHOWN ABOVE OR SIMILAR CAN BE VERIFIED BY INSCRIBING WINDOW SHAPE WITHIN SQUARE OR RECTANGLE AS SHOWN IN DOTTED LINES AND OBTAINING ALLOWABLE LOADS FROM THOSE SHAPES. INSTALLATION ANCHORS AT 4-1/2" FROM FRAME CORNERS AND 10" O.C. MAX.



NOTE:
 WIDTH AND HEIGHT DIMENSIONS CAN BE ORIENTED VERTICALLY OR HORIZONTALLY AS SHOWN ABOVE.

Sealed: 4/27/2022



FL #19973

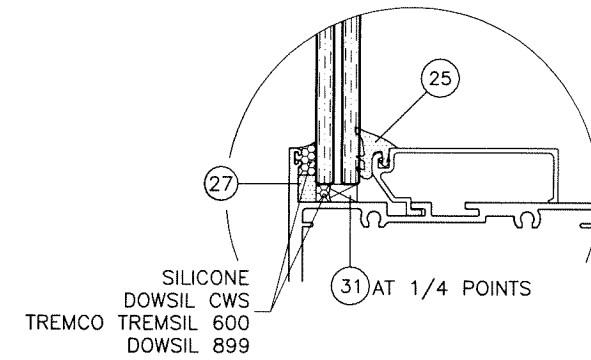
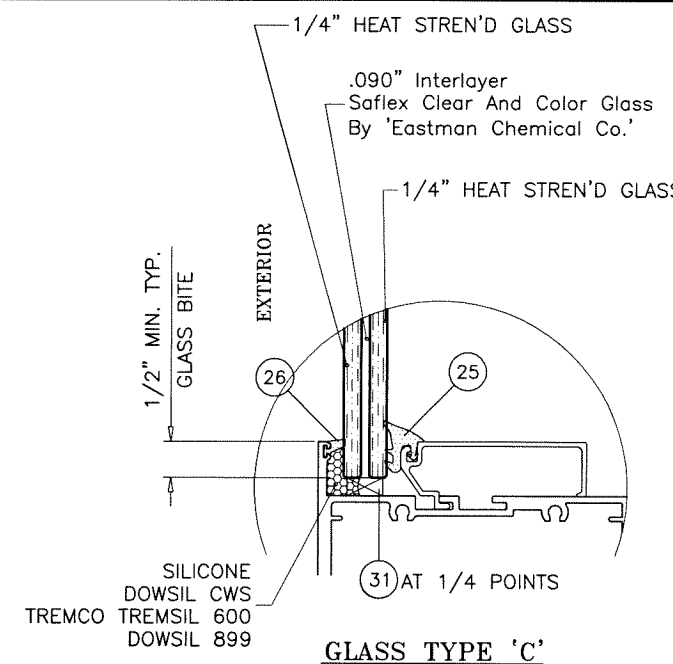
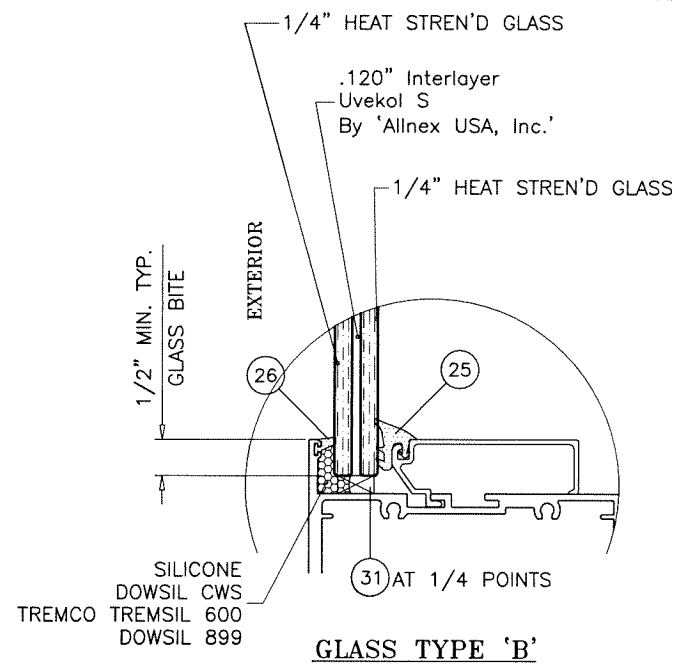
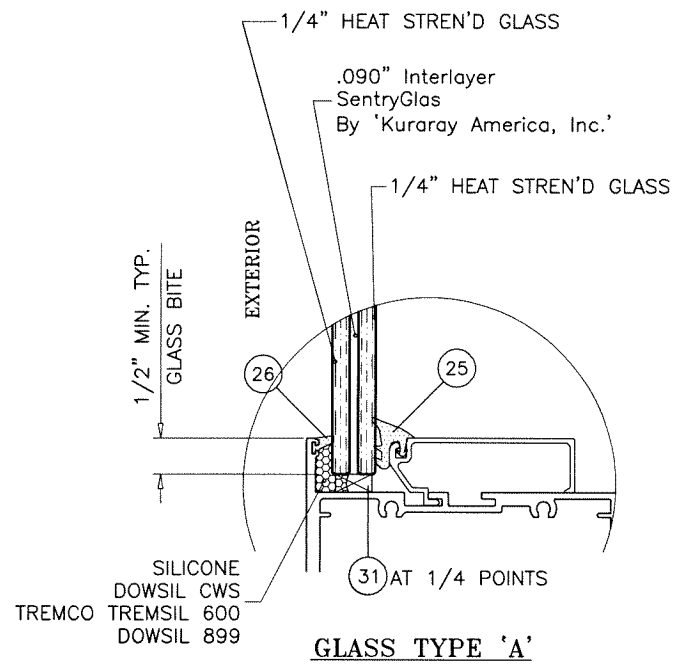
af c
AL-FAROOQ CORPORATION
 ENGINEERS & PRODUCT DEVELOPMENT
 9360 SUNSET DRIVE, SUITE 220
 MIAMI, FLORIDA 33173 (C.A.N. 3538)
 TEL. (305) 264-8100 FAX. (305) 262-6978
 COMP-ANL 21-51FAGP

SERIES FRONT SET ALUM WINDOWALL SYS. (L.M.I.)
Aldora Aluminum & Glass Products Inc.
 4250 Coral Ridge Drive, Suite 101
 Coral Springs, FL 33065
 Tel. (954) 784-6900 Fax. (954) 784-6901

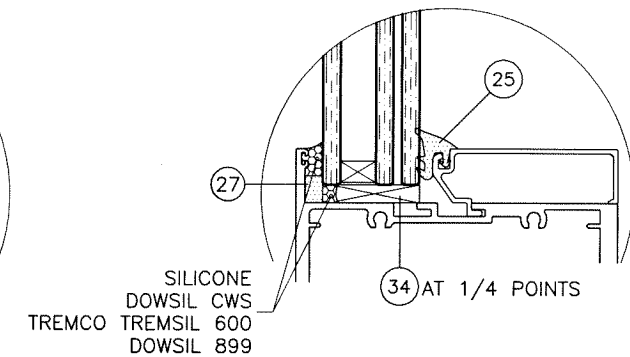
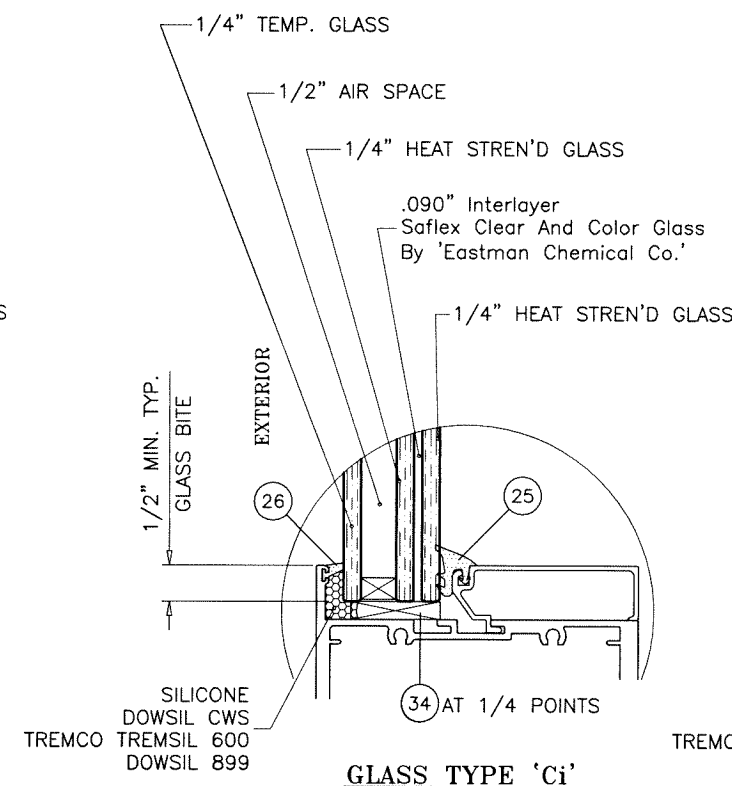
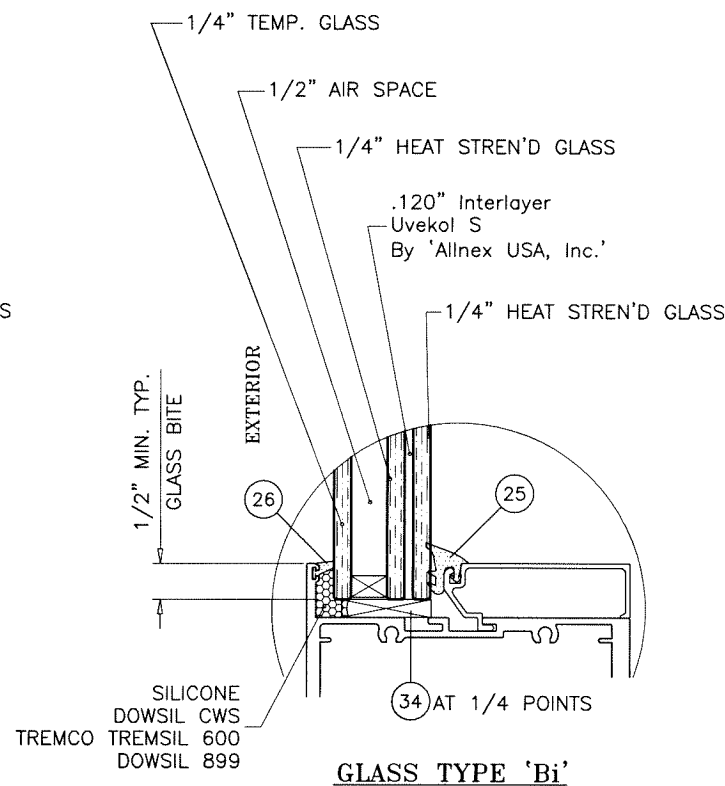
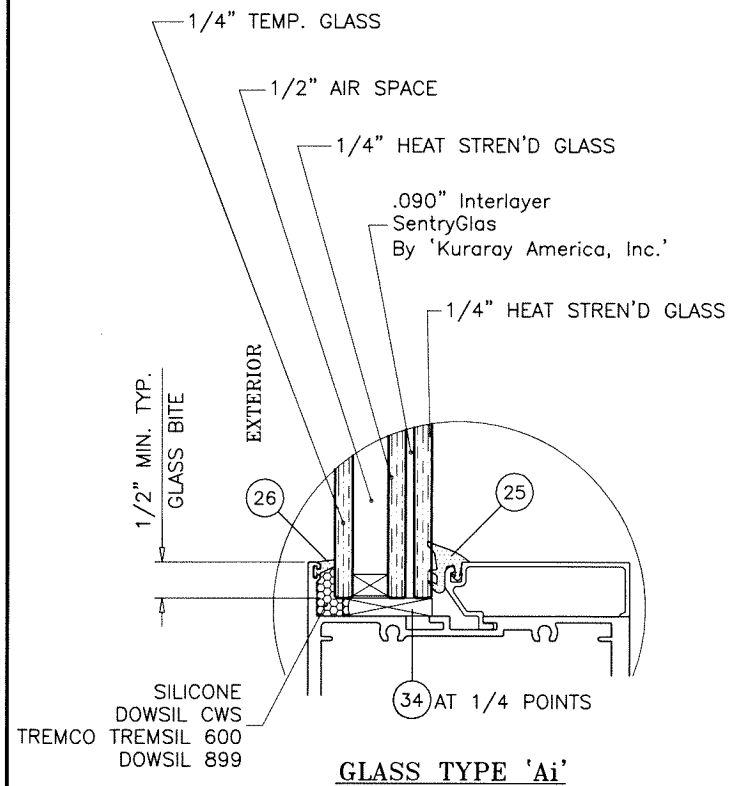
no	date	description

date: 06-10-21
 scale: 1/2"=1'-0"
 dr. by: TARIQ
 chk. by:

drawing no.
21-51F
 sheet 2 of 27

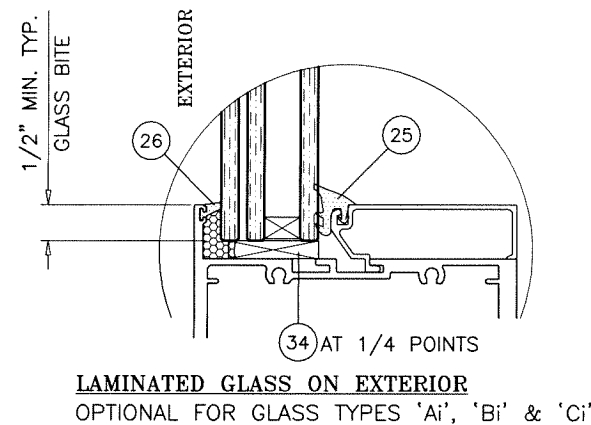


ALTERNATE GLAZING DETAIL
OPTIONAL FOR GLASS TYPES 'A', 'B' & 'C'



ALTERNATE GLAZING DETAIL
OPTIONAL FOR GLASS TYPES 'Ai', 'Bi' & 'Ci'

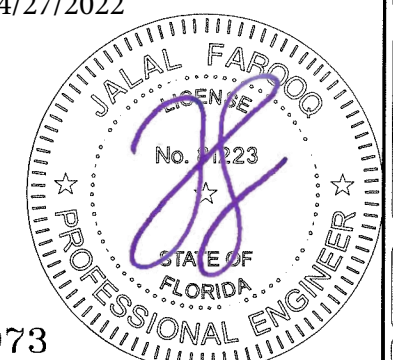
1/2" AIR SPACE CONSISTING OF:
SPACER:
'PROFIGLASS' ALUMINUM SPACER
BY 'RAMAPO USA'
PERIMETER SEALANT:
SILICONE
DOWSIL CWS
DOWSIL 899
GE 2000
PECORA 895



GLAZING DETAILS LEVEL 'D' IMPACT

GLASS
(LEVEL 'D' IMPACT)

Sealed: 4/27/2022



FL #19973

af c
AL-FAROOQ CORPORATION
ENGINEERS & PRODUCT DEVELOPMENT
9360 SUNSET DRIVE, SUITE 220
MIAMI, FLORIDA 33173 (C.A.N. 3538)
TEL. (305) 264-8100 FAX. (305) 262-6978
COMP-ANL\21-51FAGP

SERIES FRONT SET ALUM WINDOW WALL SYS. (L.M.I.)
Aldora Aluminum & Glass Products Inc.
4250 Coral Ridge Drive, Suite 101
Coral Springs, FL 33065
Tel. (954) 784-6900 Fax. (954) 784-6901

no	date	by	description

date: 06-10-21	scale: 3/8" = 1"	dr. by: TARIO	chk. by:
----------------	------------------	---------------	----------

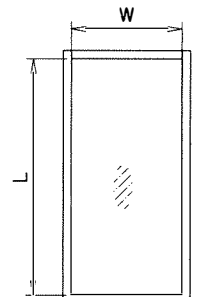
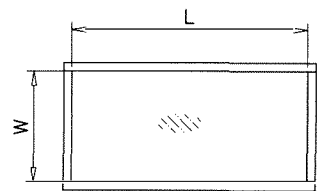
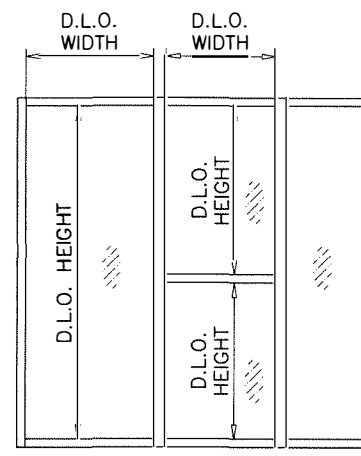
drawing no.
21-51F
sheet 3 of 27

GLASS LOAD CAPACITY - PSF							
NOMINAL DIMS.		GLASS TYPES					
		'A' & 'Ai'		'B' & 'Bi'		'C' & 'Ci'	
D.L.O. WIDTH	D.L.O. HEIGHT	EXT.(+)	INT.(-)	EXT.(+)	INT.(-)	EXT.(+)	INT.(-)
33"	73-1/2"	120.0	135.0	120.0	135.0	65.0	75.0
36"		120.0	135.0	120.0	135.0	65.0	75.0
39"		120.0	135.0	120.0	135.0	65.0	75.0
42"		120.0	135.0	120.0	135.0	65.0	75.0
45"		120.0	135.0	120.0	135.0	65.0	75.0
48"		120.0	135.0	120.0	135.0	65.0	75.0
51"		120.0	135.0	120.0	135.0	65.0	75.0
54"		120.0	135.0	120.0	135.0	65.0	75.0
57"		120.0	135.0	120.0	135.0	65.0	75.0
60"		120.0	135.0	120.0	135.0	65.0	75.0
63"		90.0	90.0	100.0	100.0	65.0	75.0
66"		80.0	80.0	100.0	100.0	65.0	75.0
69"		80.0	80.0	100.0	100.0	65.0	75.0
33"		79-1/2"	120.0	135.0	120.0	135.0	65.0
36"	120.0		135.0	120.0	135.0	65.0	75.0
39"	120.0		135.0	120.0	135.0	65.0	75.0
42"	120.0		135.0	120.0	135.0	65.0	75.0
45"	120.0		135.0	120.0	135.0	65.0	75.0
48"	120.0		135.0	120.0	135.0	65.0	75.0
51"	120.0		135.0	120.0	135.0	65.0	75.0
54"	120.0		135.0	120.0	135.0	65.0	75.0
57"	90.0		90.0	100.0	100.0	65.0	75.0
60"	80.0		80.0	100.0	100.0	65.0	75.0
63"	80.0		80.0	100.0	100.0	65.0	75.0
66"	80.0		80.0	100.0	100.0	-	-
69"	80.0		80.0	100.0	100.0	-	-
33"	85-1/2"		120.0	135.0	120.0	135.0	65.0
36"		120.0	135.0	120.0	135.0	65.0	75.0
39"		120.0	135.0	120.0	135.0	65.0	75.0
42"		120.0	135.0	120.0	135.0	65.0	75.0
45"		120.0	135.0	120.0	135.0	65.0	75.0
48"		120.0	135.0	120.0	135.0	65.0	75.0
51"		120.0	135.0	120.0	135.0	65.0	75.0
54"		90.0	90.0	100.0	100.0	65.0	75.0
57"		80.0	80.0	100.0	100.0	65.0	75.0
60"		80.0	80.0	100.0	100.0	65.0	75.0
63"		80.0	80.0	100.0	100.0	-	-
66"		80.0	80.0	100.0	100.0	-	-
69"		80.0	80.0	80.0	80.0	-	-
33"		91-1/2"	120.0	135.0	120.0	135.0	65.0
36"	120.0		135.0	120.0	135.0	65.0	75.0
39"	120.0		135.0	120.0	135.0	65.0	75.0
42"	120.0		135.0	120.0	135.0	65.0	75.0
45"	120.0		135.0	120.0	135.0	65.0	75.0
48"	120.0		135.0	120.0	135.0	65.0	75.0
51"	80.0		80.0	100.0	100.0	65.0	75.0
54"	80.0		80.0	100.0	100.0	65.0	75.0
57"	80.0		80.0	100.0	100.0	-	-
60"	80.0		80.0	100.0	100.0	-	-
63"	80.0		80.0	80.0	80.0	-	-
66"	80.0		80.0	80.0	80.0	-	-
69"	80.0		80.0	80.0	80.0	-	-

GLASS LOAD CAPACITY - PSF							
NOMINAL DIMS.		GLASS TYPES					
		'A' & 'Ai'		'B' & 'Bi'		'C' & 'Ci'	
D.L.O. WIDTH	D.L.O. HEIGHT	EXT.(+)	INT.(-)	EXT.(+)	INT.(-)	EXT.(+)	INT.(-)
33"	97-1/2"	120.0	135.0	120.0	135.0	65.0	75.0
36"		120.0	135.0	120.0	135.0	65.0	75.0
39"		120.0	135.0	120.0	135.0	65.0	75.0
42"		120.0	135.0	120.0	135.0	65.0	75.0
45"		120.0	135.0	120.0	135.0	65.0	75.0
48"		80.0	80.0	100.0	100.0	65.0	75.0
51"		80.0	80.0	100.0	100.0	65.0	75.0
54"		80.0	80.0	100.0	100.0	-	-
57"		80.0	80.0	100.0	100.0	-	-
60"		80.0	80.0	80.0	80.0	-	-
63"		80.0	80.0	80.0	80.0	-	-
66"		80.0	80.0	80.0	80.0	-	-
69"		60.0	60.0	80.0	80.0	-	-
33"		103-1/2"	120.0	135.0	120.0	135.0	65.0
36"	120.0		135.0	120.0	135.0	65.0	75.0
39"	120.0		135.0	120.0	135.0	65.0	75.0
42"	120.0		135.0	120.0	135.0	65.0	75.0
45"	90.0		90.0	100.0	100.0	65.0	75.0
48"	80.0		80.0	100.0	100.0	65.0	75.0
51"	80.0		80.0	100.0	100.0	-	-
54"	80.0		80.0	100.0	100.0	-	-
57"	80.0		80.0	80.0	80.0	-	-
60"	80.0		80.0	80.0	80.0	-	-
63"	80.0		80.0	80.0	80.0	-	-
66"	60.0		60.0	80.0	80.0	-	-
69"	60.0		60.0	80.0	80.0	-	-
33"	109-1/2"		120.0	135.0	120.0	135.0	65.0
36"		120.0	135.0	120.0	135.0	65.0	75.0
39"		120.0	135.0	120.0	135.0	65.0	75.0
42"		90.0	90.0	100.0	100.0	65.0	75.0
45"		80.0	80.0	100.0	100.0	65.0	75.0
48"		80.0	80.0	100.0	100.0	-	-
51"		80.0	80.0	100.0	100.0	-	-
54"		80.0	80.0	80.0	80.0	-	-
57"		80.0	80.0	80.0	80.0	-	-
60"		80.0	80.0	80.0	80.0	-	-
63"		60.0	60.0	80.0	80.0	-	-
66"		60.0	60.0	80.0	80.0	-	-
69"		60.0	60.0	80.0	80.0	-	-
33"		115-1/2"	120.0	135.0	120.0	135.0	65.0
36"	120.0		135.0	120.0	135.0	65.0	75.0
39"	120.0		135.0	120.0	135.0	65.0	75.0
42"	80.0		80.0	100.0	100.0	65.0	75.0
45"	80.0		80.0	100.0	100.0	65.0	75.0
48"	80.0		80.0	100.0	100.0	-	-
51"	80.0		80.0	80.0	80.0	-	-
54"	80.0		80.0	80.0	80.0	-	-
57"	80.0		80.0	80.0	80.0	-	-
60"	60.0		60.0	80.0	80.0	-	-
63"	60.0		60.0	80.0	80.0	-	-
66"	60.0		60.0	80.0	80.0	-	-
69"	60.0		60.0	80.0	80.0	-	-

GLASS LOAD CAPACITY - PSF								
NOMINAL DIMS.		GLASS TYPES						
		'A' & 'Ai'		'B' & 'Bi'		'C' & 'Ci'		
D.L.O. WIDTH	D.L.O. HEIGHT	EXT.(+)	INT.(-)	EXT.(+)	INT.(-)	EXT.(+)	INT.(-)	
33"	121-1/2"	120.0	135.0	120.0	135.0	65.0	75.0	
36"		120.0	135.0	120.0	135.0	65.0	75.0	
39"		80.0	80.0	100.0	100.0	65.0	75.0	
42"		80.0	80.0	100.0	100.0	65.0	75.0	
45"		80.0	80.0	100.0	100.0	-	-	
48"		80.0	80.0	80.0	80.0	-	-	
51"		80.0	80.0	80.0	80.0	-	-	
54"		80.0	80.0	80.0	80.0	-	-	
57"		60.0	60.0	80.0	80.0	-	-	
60"		60.0	60.0	80.0	80.0	-	-	
63"		60.0	60.0	80.0	80.0	-	-	
33"		127-1/2"	120.0	135.0	120.0	135.0	65.0	75.0
36"			90.0	90.0	100.0	100.0	65.0	75.0
39"			80.0	80.0	100.0	100.0	65.0	75.0
42"	80.0		80.0	100.0	100.0	-	-	
45"	80.0		80.0	100.0	100.0	-	-	
48"	80.0		80.0	80.0	80.0	-	-	
51"	80.0		80.0	80.0	80.0	-	-	
54"	60.0		60.0	80.0	80.0	-	-	
57"	60.0		60.0	80.0	80.0	-	-	
60"	60.0		60.0	80.0	80.0	-	-	
33"	133-1/2"		120.0	135.0	120.0	135.0	65.0	75.0
36"			80.0	80.0	100.0	100.0	65.0	75.0
39"			80.0	80.0	100.0	100.0	-	-
42"			80.0	80.0	100.0	100.0	-	-
45"		80.0	80.0	80.0	80.0	-	-	
48"		80.0	80.0	80.0	80.0	-	-	
51"		60.0	60.0	80.0	80.0	-	-	
54"		60.0	60.0	80.0	80.0	-	-	
57"		60.0	60.0	80.0	80.0	-	-	
33"		139-1/2"	90.0	90.0	100.0	100.0	65.0	75.0
36"			80.0	80.0	100.0	100.0	65.0	75.0
39"			80.0	80.0	100.0	100.0	-	-
42"			80.0	80.0	80.0	80.0	-	-
45"			80.0	80.0	80.0	80.0	-	-
48"	60.0		60.0	80.0	80.0	-	-	
51"	60.0		60.0	80.0	80.0	-	-	
54"	60.0		60.0	80.0	80.0	-	-	
57"	60.0		60.0	80.0	80.0	-	-	

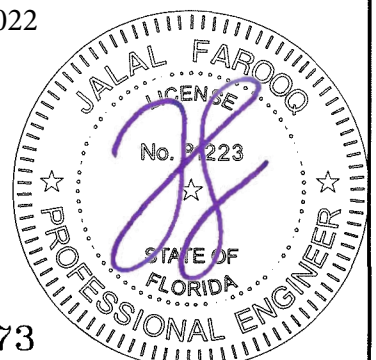
INTERPOLATION BETWEEN WIDTHS OR HEIGHTS ALLOWED.



NOTE: WIDTH AND LENGTH DIMENSIONS CAN BE ORIENTED VERTICALLY OR HORIZONTALLY AS SHOWN ABOVE.

NOTE: GLASS CAPACITIES ON THIS SHEET ARE BASED ON ASTM E1300-09 (3 SEC. GUSTS).

Sealed: 4/27/2022



FL #19973

af c
AL-FAROOQ CORPORATION
 ENGINEERS & PRODUCT DEVELOPMENT
 9360 SUNSET DRIVE, SUITE 220
 MIAMI, FLORIDA 33173 (C.A.N. 3538)
 TEL. (305) 262-6978 FAX. (305) 264-8100
 COMP-ANL\21-51FAGP

SERIES FRONT SET ALUM WINDOW WALL SYS. (L.M.I.)
Aldora Aluminum & Glass Products Inc.
 4250 Coral Ridge Drive, Suite 101
 Coral Springs, FL 33065
 Tel. (954) 784-6900 Fax. (954) 784-6901

revisions:
 no. date by description

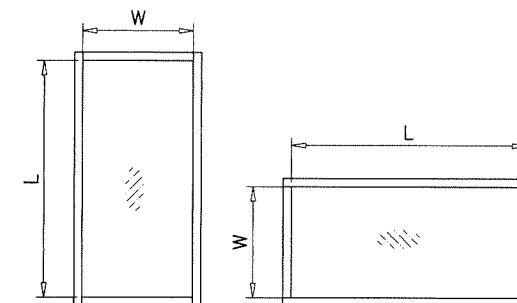
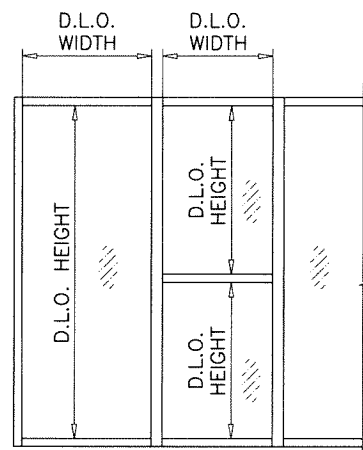
date: 06-10-21
 scale: -
 dr. by: TARIQ
 chk. by:

drawing no.
21-51F
 sheet 4 of 27

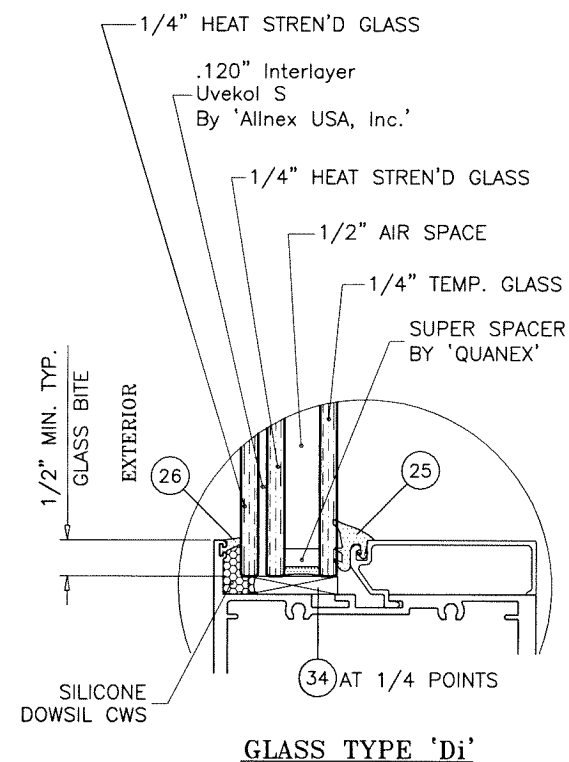
GLASS LOAD CAPACITY - PSF				
NOMINAL DIMS.		GLASS TYPE 'Di'		
D.L.O. WIDTH	D.L.O. HEIGHT	EXT.(+)	INT.(-)	
33"	73-1/2"	65.0	65.0	
36"		65.0	65.0	
39"		65.0	65.0	
42"		65.0	65.0	
45"		65.0	65.0	
48"		60.9	60.9	
51"		57.4	57.4	
54"		54.2	54.2	
57"		51.3	51.3	
60"		48.8	48.8	
63"		46.4	46.4	
66"		44.3	44.3	
69"	42.4	42.4		
33"	79-1/2"	65.0	65.0	
36"		65.0	65.0	
39"		65.0	65.0	
42"		65.0	65.0	
45"		65.0	65.0	
48"		60.9	60.9	
51"		57.4	57.4	
54"		54.2	54.2	
57"		51.3	51.3	
60"		48.8	48.8	
63"		46.4	46.4	
33"		85-1/2"	65.0	65.0
36"	65.0		65.0	
39"	65.0		65.0	
42"	65.0		65.0	
45"	65.0		65.0	
48"	60.9		60.9	
51"	57.4		57.4	
54"	54.2		54.2	
57"	51.3		51.3	
60"	48.8		48.8	
33"	91-1/2"		65.0	65.0
36"			65.0	65.0
39"		65.0	65.0	
42"		65.0	65.0	
45"		65.0	65.0	
48"		60.9	60.9	
51"	57.4	57.4		
54"	54.2	54.2		
33"	97-1/2"	65.0	65.0	
36"		65.0	65.0	
39"		65.0	65.0	
42"		65.0	65.0	
45"		65.0	65.0	
48"		60.9	60.9	
51"	57.4	57.4		

GLASS LOAD CAPACITY - PSF			
NOMINAL DIMS.		GLASS TYPE 'Di'	
D.L.O. WIDTH	D.L.O. HEIGHT	EXT.(+)	INT.(-)
33"	103-1/2"	65.0	65.0
36"		65.0	65.0
39"		65.0	65.0
42"		65.0	65.0
45"		65.0	65.0
48"	60.9	60.9	
33"	109-1/2"	65.0	65.0
36"		65.0	65.0
39"		65.0	65.0
42"		65.0	65.0
45"		65.0	65.0
33"	115-1/2"	65.0	65.0
36"		65.0	65.0
39"		65.0	65.0
42"		65.0	65.0
33"	121-1/2"	65.0	65.0
36"		65.0	65.0
39"		65.0	65.0
33"	127-1/2"	65.0	65.0
36"		65.0	65.0
33"	133-1/2"	65.0	65.0
36"		65.0	65.0
33"	139-1/2"	65.0	65.0
36"		65.0	65.0

INTERPOLATION BETWEEN WIDTHS OR HEIGHTS ALLOWED.



NOTE:
WIDTH AND LENGTH DIMENSIONS
CAN BE ORIENTED VERTICALLY OR
HORIZONTALLY AS SHOWN ABOVE.

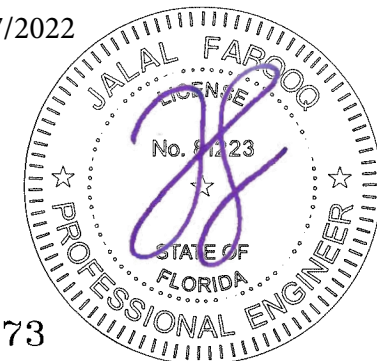


GLASS TYPE 'Di'

GLAZING DETAIL LEVEL 'D' IMPACT

GLASS
(LEVEL 'D' IMPACT)

Sealed: 4/27/2022



NOTE:
GLASS CAPACITIES ON THIS SHEET ARE
BASED ON ASTM E1300-09 (3 SEC. GUSTS).

FL #19973

af c
AL-FAROOQ CORPORATION
ENGINEERS & PRODUCT DEVELOPMENT
9360 SUNSET DRIVE, SUITE 220 (C.A.N. 3538)
MIAMI, FLORIDA 33173
TEL. (305) 264-8100 FAX. (305) 262-6978
COMP-ANL\21-51FAGP

SERIES FRONT SET ALUM WINDOW WALL SYS. (L.M.I.)
Aldora Aluminum & Glass Products Inc.
4250 Coral Ridge Drive, Suite 101
Coral Springs, FL. 33065
Tel. (954) 784-6900 Fax. (954) 784-6901

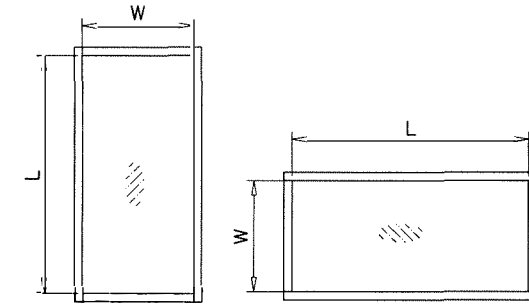
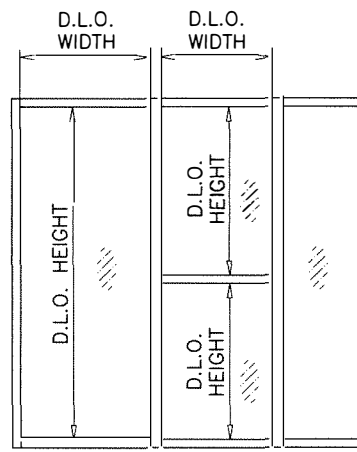
no	date	by	description

date: 06-10-21
scale: 3/8" = 1"
dr. by: TARIQ
chk. by:

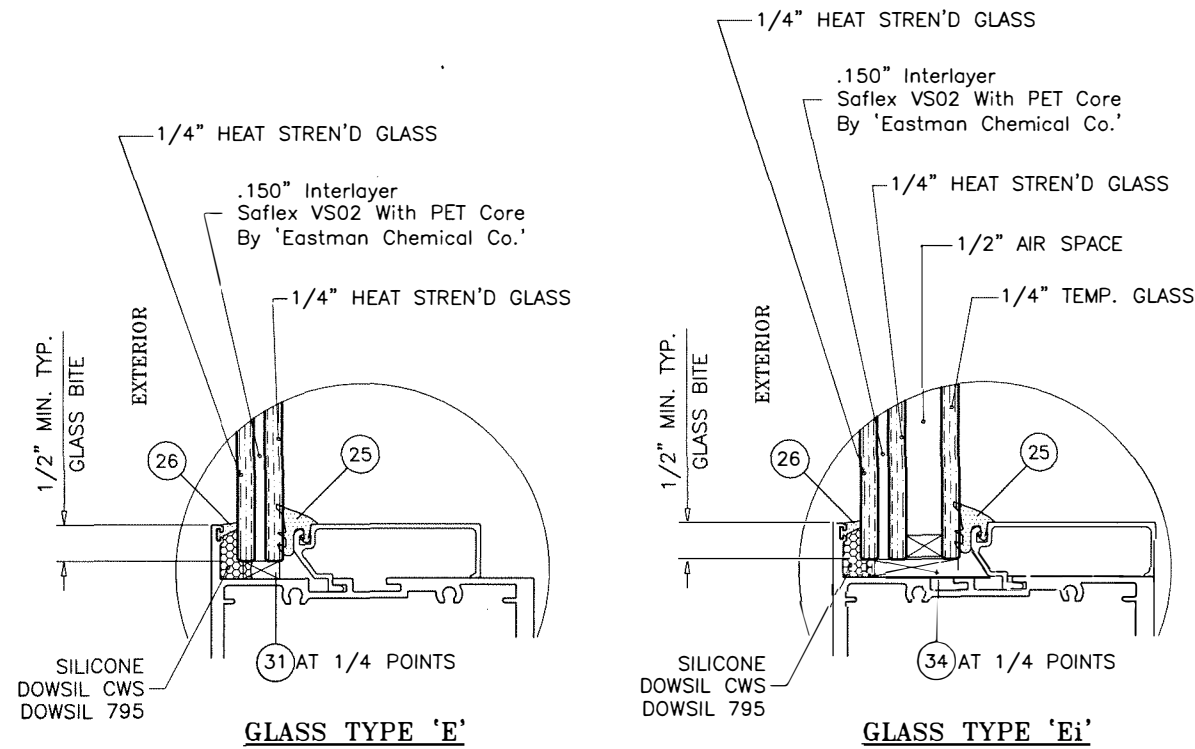
drawing no.
21-51F
sheet 5 of 27

GLASS LOAD CAPACITY - PSF					
NOMINAL DIMS.		GLASS TYPE 'E'		GLASS TYPE 'Ei'	
D.L.O. WIDTH	D.L.O. HEIGHT	EXT.(+)	INT.(-)	EXT.(+)	INT.(-)
45"	109-1/2"	100.0	100.0	100.0	100.0
48"		100.0	100.0	100.0	100.0
51"		100.0	100.0	100.0	100.0
54"		100.0	100.0	100.0	100.0
57"		100.0	100.0	100.0	100.0
60"		95.2	95.2	95.2	95.2
63"		90.9	90.9	90.9	90.9
66"		87.0	87.0	87.0	87.0
69"	83.3	83.3	83.3	83.3	
45"	115-1/2"	100.0	100.0	100.0	100.0
48"		100.0	100.0	100.0	100.0
51"		100.0	100.0	100.0	100.0
54"		100.0	100.0	100.0	100.0
57"		100.0	100.0	100.0	100.0
60"		95.2	95.2	95.2	95.2
63"		90.9	90.9	90.9	90.9
66"		87.0	87.0	87.0	87.0
69"	83.3	83.3	83.3	83.3	
45"	121-1/2"	100.0	100.0	100.0	100.0
48"		100.0	100.0	100.0	100.0
51"		100.0	100.0	100.0	100.0
54"		100.0	100.0	100.0	100.0
57"		100.0	100.0	100.0	100.0
60"		95.2	95.2	95.2	95.2
63"	90.9	90.9	90.9	90.9	
45"	127-1/2"	100.0	100.0	100.0	100.0
48"		100.0	100.0	100.0	100.0
51"		100.0	100.0	100.0	100.0
54"		100.0	100.0	100.0	100.0
57"		98.2	98.2	100.0	100.0
60"		93.5	93.5	95.2	95.2
45"	133-1/2"	100.0	100.0	100.0	100.0
48"		100.0	100.0	100.0	100.0
51"		100.0	100.0	100.0	100.0
54"		100.0	100.0	100.0	100.0
57"	94.9	94.9	99.3	99.3	
45"	139-1/2"	100.0	100.0	100.0	100.0
48"		100.0	100.0	100.0	100.0
51"		100.0	100.0	100.0	100.0
54"		97.5	97.5	100.0	100.0
57"		91.6	91.6	95.9	95.9

INTERPOLATION BETWEEN WIDTHS OR HEIGHTS ALLOWED.



NOTE:
WIDTH AND LENGTH DIMENSIONS
CAN BE ORIENTED VERTICALLY OR
HORIZONTALLY AS SHOWN ABOVE.



GLAZING DETAILS LEVEL 'E' IMPACT

NOTE:
GLASS CAPACITIES ON THIS SHEET ARE
BASED ON ASTM E1300-09 (3 SEC. GUSTS).

af c
AL-FAROOQ CORPORATION
 ENGINEERS & PRODUCT DEVELOPMENT
 9360 SUNSET DRIVE, SUITE 220 (C.A.N. 3538)
 MIAMI, FLORIDA 33173 TEL. (305) 262-6978
 TEL. (305) 264-8100 FAX. (305) 262-6978
 COMP-ANL \ 21-51FAGP

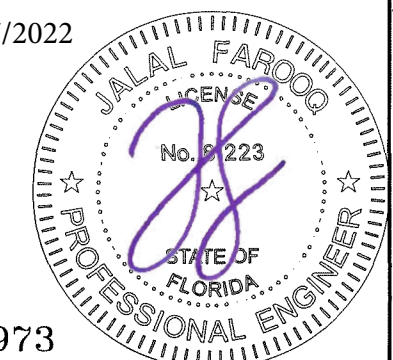
SERIES FRONT SET ALUM WINDOW WALL SYS. (L.M.I.)
Aldora Aluminum & Glass Products Inc.
 4250 Coral Ridge Drive, Suite 101
 Coral Springs, FL 33065
 Tel. (954) 784-6900 Fax. (954) 784-6901

no.	date	description

date: 06-10-21	scale: 3/8" = 1"	dr. by: TARIQ	chk. by:
----------------	------------------	---------------	----------

drawing no.
21-51F
sheet 6 of 27

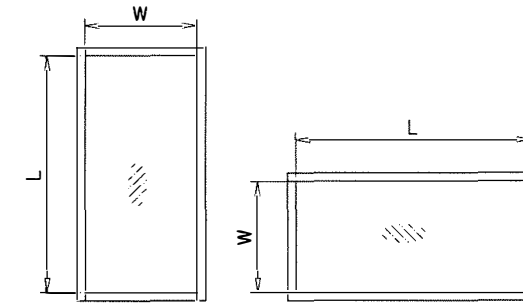
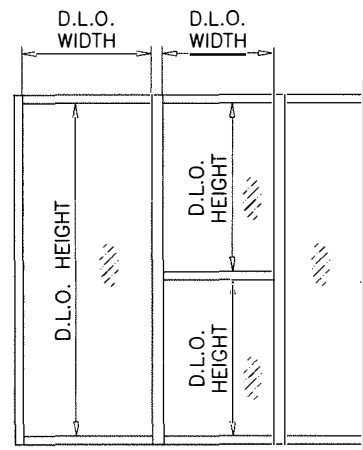
Sealed: 4/27/2022



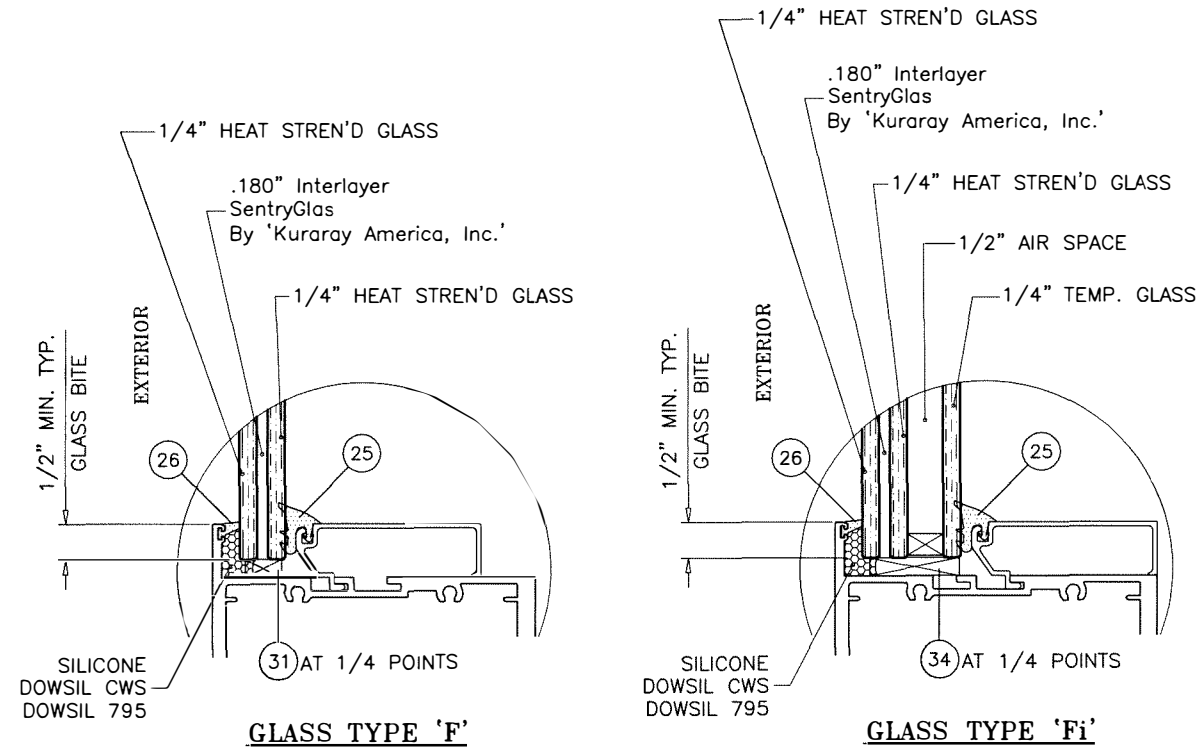
FL #19973

GLASS LOAD CAPACITY - PSF			
NOMINAL DIMS.		GLASS TYPES 'F' & 'Fi'	
D.L.O. WIDTH	D.L.O. HEIGHT	EXT.(+)	INT.(-)
45"	91-1/2"	100.0	100.0
48"		100.0	100.0
51"		100.0	100.0
54"		100.0	100.0
57"		100.0	100.0
60"		95.2	95.2
63"		90.9	90.9
66"	87.0	87.0	
69"	83.3	83.3	
45"	103-1/2"	100.0	100.0
48"		100.0	100.0
51"		100.0	100.0
54"		100.0	100.0
57"		100.0	100.0
60"	95.2	95.2	
63"	90.9	90.9	
45"	115-1/2"	100.0	100.0
48"		100.0	100.0
51"		100.0	100.0
54"		100.0	100.0
57"	100.0	100.0	
45"	127-1/2"	100.0	100.0
48"		100.0	100.0
51"		100.0	100.0
45"	139-1/2"	100.0	100.0

INTERPOLATION BETWEEN WIDTHS OR HEIGHTS ALLOWED.



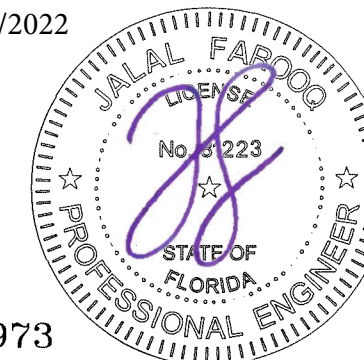
NOTE:
WIDTH AND LENGTH DIMENSIONS
CAN BE ORIENTED VERTICALLY OR
HORIZONTALLY AS SHOWN ABOVE.



GLAZING DETAILS LEVEL 'E' IMPACT

NOTE:
GLASS CAPACITIES ON THIS SHEET ARE
BASED ON ASTM E1300-09 (3 SEC. GUSTS).

Sealed: 4/27/2022



FL #19973

a f c
AL-FAROOQ CORPORATION
 ENGINEERS & PRODUCT DEVELOPMENT
 9360 SUNSET DRIVE, SUITE 220 (C.A.N. 3538)
 MIAMI, FLORIDA 33173 TEL. (305) 262-6978
 TEL. (305) 264-8100 FAX. (305) 262-6978
 COMP-ANL 21-51FAGP

SERIES FRONT SET ALUM WINDOWALL SYS. (L.M.I.)
Aldora Aluminum & Glass Products Inc.
 4250 Coral Ridge Drive, Suite 101
 Coral Springs, FL 33065
 Tel. (954) 784-6900 Fax. (954) 784-6901

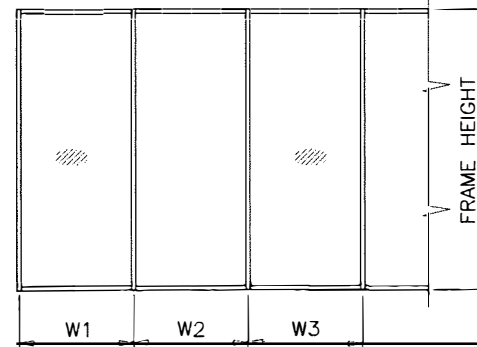
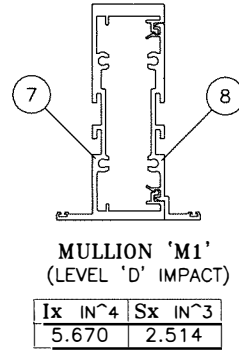
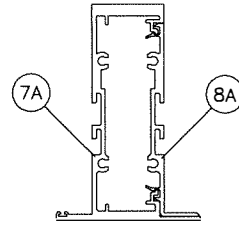
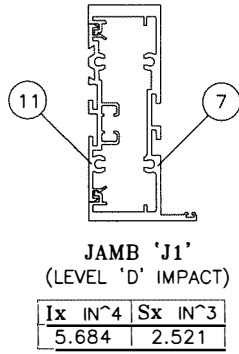
no	date	description

date: 06-10-21	scale: 3/8" = 1"	dr. by: TARIQ	chk. by:
----------------	------------------	---------------	----------

drawing no.	21-51F
sheet	6.1 of 27

DESIGN LOAD CAPACITY - PSF NON-THERMAL MULLION WITHOUT INTERMEDIATE HORIZONTALS			
NOMINAL DIMS.		JAMB 'J1' MULLION 'M1'	
WIDTH (W)	FRAME HEIGHT	EXT.(+)	INT.(-)
30"	84"	90.0	90.0
36"		90.0	90.0
42"		90.0	90.0
48"		90.0	90.0
54"		90.0	90.0
60"		90.0	90.0
61"		90.0	90.0
66"		80.0	80.0
72"	80.0	80.0	
30"	90"	90.0	90.0
36"		90.0	90.0
42"		90.0	90.0
48"		90.0	90.0
54"		90.0	90.0
57"		88.6	88.6
60"		80.0	80.0
66"		80.0	80.0
72"	77.3	77.3	
30"	96"	90.0	90.0
36"		90.0	90.0
42"		90.0	90.0
48"		86.7	86.7
54"		78.9	78.9
60"		73.1	73.1
66"		68.6	68.6
72"		65.3	65.3
30"	102"	90.0	90.0
36"		90.0	90.0
42"		84.4	84.4
48"		75.4	75.4
50"		72.9	72.9
54"		68.5	68.5
60"		63.2	63.2
66"		59.0	59.0
70"	56.8	56.8	
30"	108"	90.0	90.0
36"		80.9	80.9
42"		70.5	70.5
48"		62.9	62.9
54"		57.2	57.2
60"		52.8	52.8
66"		49.4	49.4
30"		114"	81.2
36"	68.5		68.5
42"	59.6		59.6
48"	53.1		53.1
54"	48.1		48.1
60"	44.3		44.3
63"	42.7		42.7
30"	120"		69.4
36"		58.5	58.5
42"		50.8	50.8
48"		45.2	45.2
54"		40.9	40.9
60"		37.5	37.5

INTERPOLATION BETWEEN WIDTHS OR HEIGHTS ALLOWED.



$$\text{WIDTH (w)} = W1$$

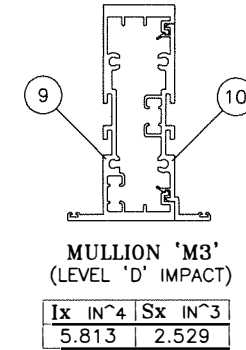
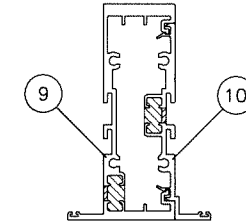
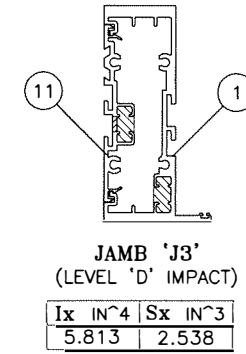
AT FRAME JAMB

$$\text{WIDTH (w)} = \frac{W2 + W3}{2}$$

AT FRAME MULLION

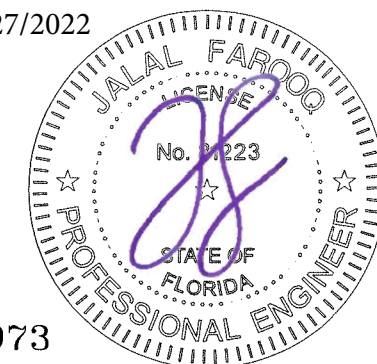
DESIGN LOAD CAPACITY - PSF THERMAL MULLION WITHOUT INTERMEDIATE HORIZONTALS			
NOMINAL DIMS.		JAMB 'J3' MULLION 'M3'	
WIDTH (W)	FRAME HEIGHT	EXT.(+)	INT.(-)
30"	84"	90.0	90.0
36"		90.0	90.0
42"		90.0	90.0
48"		90.0	90.0
54"		90.0	90.0
60"		80.0	80.0
66"		80.0	80.0
72"		80.0	80.0
30"	90"	90.0	90.0
36"		90.0	90.0
42"		90.0	90.0
48"		90.0	90.0
51"		90.0	90.0
54"		80.0	80.0
60"		80.0	80.0
66"		80.0	80.0
72"	77.9	77.9	
30"	96"	90.0	90.0
36"		90.0	90.0
42"		90.0	90.0
48"		87.3	87.3
54"		79.5	79.5
60"		73.6	73.6
66"		69.1	69.1
72"		65.7	65.7
30"	102"	80.0	80.0
36"		80.0	80.0
42"		80.0	80.0
48"		75.9	75.9
54"		68.9	68.9
60"		63.6	63.6
66"		59.4	59.4
70"		57.2	57.2
30"	108"	80.0	80.0
36"		80.0	80.0
42"		72.3	72.3
48"		64.5	64.5
54"		58.7	58.7
60"		54.2	54.2
66"		50.7	50.7
30"		114"	80.0
36"	70.2		70.2
42"	61.1		61.1
48"	54.4		54.4
54"	49.3		49.3
60"	45.4		45.4
63"	43.8		43.8
30"	120"		71.2
36"		60.0	60.0
42"		52.1	52.1
48"		46.3	46.3
54"		41.9	41.9
60"		38.5	38.5

INTERPOLATION BETWEEN WIDTHS OR HEIGHTS ALLOWED.



JAMB & MULLIONS
(LEVEL 'D' IMPACT)
WITHOUT HORIZONTALS

Sealed: 4/27/2022



FL #19973

af c
AL-FAROOQ CORPORATION
ENGINEERS & PRODUCT DEVELOPMENT
9360 SUNSET DRIVE, SUITE 220 (C.A.N. 3538)
MIAMI, FLORIDA 33173 TEL. (305) 262-6978
FAX. (305) 264-8100

SERIES FRONT SET ALUM WINDOWALL SYS. (L.M.I.)
Aldora Aluminum & Glass Products Inc.
4250 Coral Ridge Drive, Suite 101
Coral Springs, FL 33065
Tel. (954) 784-6900 Fax. (954) 784-6901

no	date	by	description

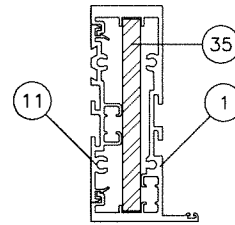
date: 06-10-21	scale: -	dr. by: TARIQ	chk. by:
----------------	----------	---------------	----------

drawing no.
21-51F
sheet 7 of 27

DESIGN LOAD CAPACITY - PSF THERMAL MULLION WITHOUT INTERMEDIATE HORIZONTALS			
NOMINAL DIMS.		JAMB 'J4' MULLION 'M4'	
WIDTH (W)	FRAME HEIGHT	EXT.(+)	INT.(-)
30"	84"	100.0	100.0
36"		100.0	100.0
42"		100.0	100.0
48"		100.0	100.0
54"		100.0	100.0
60"		100.0	100.0
66"		60.0	60.0
72"		60.0	60.0
30"	90"	100.0	100.0
36"		100.0	100.0
42"		100.0	100.0
48"		100.0	100.0
54"		100.0	100.0
56"		100.0	100.0
60"		60.0	60.0
66"		60.0	60.0
72"	60.0	60.0	
30"	96"	100.0	100.0
36"		100.0	100.0
42"		100.0	100.0
48"		100.0	100.0
52"		100.0	100.0
54"		60.0	60.0
60"		60.0	60.0
66"		60.0	60.0
72"	60.0	60.0	
30"	102"	100.0	100.0
39"		100.0	100.0
42"		100.0	100.0
48"		100.0	100.0
49"		100.0	100.0
54"		60.0	60.0
60"		60.0	60.0
66"		60.0	60.0
72"	60.0	60.0	
30"	108"	100.0	100.0
36"		100.0	100.0
42"		100.0	100.0
46"		99.2	99.2
48"		60.0	60.0
54"		60.0	60.0
60"		60.0	60.0
66"		60.0	60.0
72"	60.0	60.0	
30"	114"	100.0	100.0
36"		100.0	100.0
42"		96.0	96.0
44"		92.0	92.0
48"		60.0	60.0
54"		60.0	60.0
60"		60.0	60.0
66"		60.0	60.0
72"	60.0	60.0	

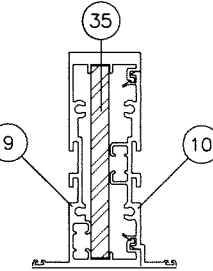
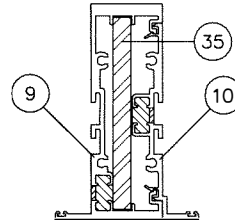
DESIGN LOAD CAPACITY - PSF THERMAL MULLION WITHOUT INTERMEDIATE HORIZONTALS			
NOMINAL DIMS.		JAMB 'J4' MULLION 'M4'	
WIDTH (W)	FRAME HEIGHT	EXT.(+)	INT.(-)
30"	120"	100.0	100.0
36"		99.5	99.5
42"		86.2	86.2
48"		60.0	60.0
54"		60.0	60.0
60"		60.0	60.0
66"		58.5	58.5
72"		54.8	54.8
30"	126"	60.0	60.0
36"		60.0	60.0
42"		60.0	60.0
48"		60.0	60.0
54"		60.0	60.0
60"		56.7	56.7
66"		52.5	52.5
72"		49.0	49.0
30"	132"	60.0	60.0
36"		60.0	60.0
42"		60.0	60.0
48"		60.0	60.0
54"		56.3	56.3
60"		51.3	51.3
65"		48.0	48.0
30"		138"	60.0
36"	60.0		60.0
42"	60.0		60.0
48"	57.0		57.0
54"	51.2		51.2
60"	46.7		46.7
62"	45.4		45.4
30"	144"		60.0
36"		60.0	60.0
42"		59.0	59.0
48"		52.2	52.2
54"		46.9	46.9
60"		42.6	42.6

INTERPOLATION BETWEEN WIDTHS OR HEIGHTS ALLOWED.



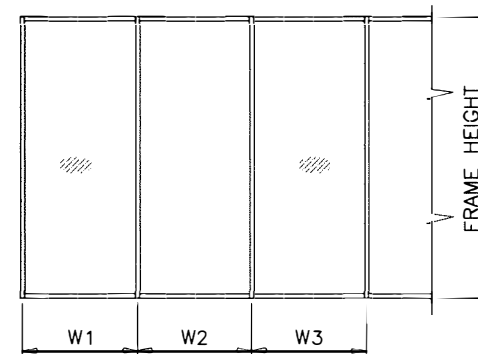
JAMB 'J4'
(LEVEL 'D' IMPACT)

	Ix IN ⁴	Sx IN ³
ALUMINUM	5.813	2.538
STEEL	2.000	1.000
TOTAL	11.613	
Ix ALUM + Ix STL X 2.9		



MULLION 'M4'
(LEVEL 'D' IMPACT)

	Ix IN ⁴	Sx IN ³
ALUMINUM	5.813	2.529
STEEL	2.000	1.000
TOTAL	11.613	
Ix ALUM + Ix STL X 2.9		

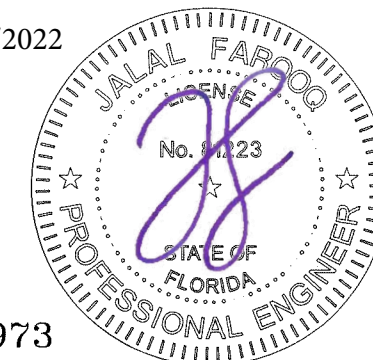


WIDTH (W) = W1
AT FRAME JAMB

WIDTH (W) = $\frac{W2 + W3}{2}$
AT FRAME MULLION

JAMB & MULLIONS
(LEVEL 'D' IMPACT)
WITHOUT HORIZONTALS

Sealed: 4/27/2022



FL #19973

af c
AL-FAROOQ CORPORATION
ENGINEERS & PRODUCT DEVELOPMENT
9360 SUNSET DRIVE, SUITE 220 (C.A.N. 3538)
MIAMI, FLORIDA 33173
TEL. (305) 264-8100 FAX. (305) 262-6978
COMP-ANL\21-51FAGP

SERIES FRONT SET ALUM WINDOW WALL SYS. (L.M.I.)
Aldora Aluminum & Glass Products Inc.
4250 Coral Ridge Drive, Suite 101
Coral Springs, FL 33065
Tel. (954) 784-6900 Fax. (954) 784-6901

revisions:	no	date	by	description

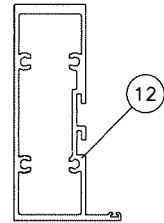
date: 06-10-21
scale: -
dr. by: TARIQ
chk. by:

drawing no.
21-51F

sheet 8 of 27

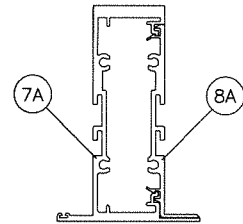
DESIGN LOAD CAPACITY - PSF NON-THERMAL MULLION WITHOUT INTERMEDIATE HORIZONTALS			
NOMINAL DIMS.		JAMB 'J5' MULLION 'M1'	
WIDTH (W)	FRAME HEIGHT	EXT.(+)	INT.(-)
30"	84"	90.0	90.0
36"		90.0	90.0
42"		90.0	90.0
48"		90.0	90.0
54"		90.0	90.0
57"		90.0	90.0
30"	90"	90.0	90.0
36"		90.0	90.0
42"		90.0	90.0
48"		90.0	90.0
53-1/2"		90.0	90.0

INTERPOLATION BETWEEN WIDTHS OR HEIGHTS ALLOWED.



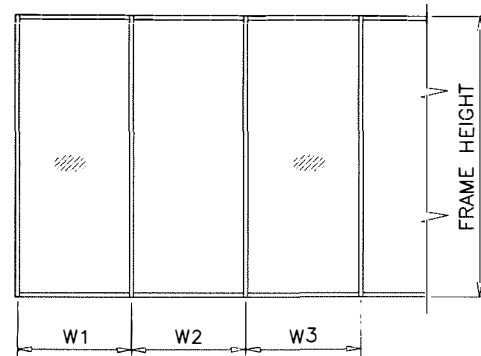
JAMB 'J5'
(LEVEL 'D' & 'E' IMPACT)

Ix	IN ⁴	Sx	IN ³
4.027		1.788	



MULLION 'M1'
(LEVEL 'D' & 'E' IMPACT)

Ix	IN ⁴	Sx	IN ³
5.670		2.514	



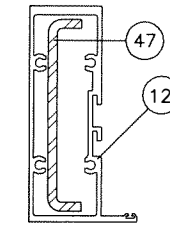
WIDTH (W) = W1
AT FRAME JAMB

WIDTH (W) = $\frac{W2 + W3}{2}$
AT FRAME MULLION

DESIGN LOAD CAPACITY - PSF NON-THERMAL MULLION WITHOUT INTERMEDIATE HORIZONTALS			
NOMINAL DIMS.		JAMB 'J2'/'J2A' MULLION 'M2'	
WIDTH (W)	FRAME HEIGHT	EXT.(+)	INT.(-)
30"	84"	120.0	135.0
36"		120.0	135.0
42"		120.0	135.0
48"		120.0	135.0
54"		120.0	135.0
60"		120.0	135.0
66"		100.0	100.0
72"		100.0	100.0
30"	90"	120.0	135.0
36"		120.0	135.0
42"		120.0	135.0
48"		120.0	135.0
54"		120.0	135.0
56"		120.0	135.0
60"		100.0	100.0
66"		100.0	100.0
72"	100.0	100.0	
30"	96"	120.0	135.0
36"		120.0	135.0
42"		120.0	135.0
48"		120.0	135.0
52"		120.0	135.0
54"		100.0	100.0
60"		100.0	100.0
66"		100.0	100.0
72"	100.0	100.0	
30"	102"	120.0	135.0
39"		120.0	135.0
42"		120.0	135.0
48"		120.0	135.0
49"		120.0	135.0
54"		100.0	100.0
60"		100.0	100.0
66"		100.0	100.0
72"	100.0	100.0	
30"	108"	120.0	135.0
36"		120.0	135.0
42"		120.0	135.0
46"		120.0	135.0
48"		100.0	100.0
54"		100.0	100.0
60"		100.0	100.0
66"		100.0	100.0
72"	100.0	100.0	
30"	114"	120.0	135.0
36"		120.0	135.0
42"		120.0	135.0
44"		120.0	135.0
48"		100.0	100.0
54"		100.0	100.0
60"		100.0	100.0
66"		96.8	96.8
72"	90.9	90.9	

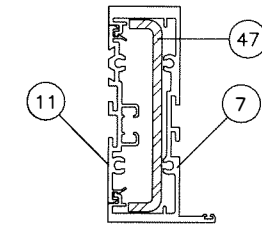
DESIGN LOAD CAPACITY - PSF NON-THERMAL MULLION WITHOUT INTERMEDIATE HORIZONTALS			
NOMINAL DIMS.		JAMB 'J2'/'J2A' MULLION 'M2'	
WIDTH (W)	FRAME HEIGHT	EXT.(+)	INT.(-)
30"	120"	120.0	135.0
36"		120.0	135.0
42"		120.0	128.0
48"		100.0	100.0
54"		100.0	100.0
60"		93.1	93.1
66"		86.3	86.3
72"		80.8	80.8
30"	126"	100.0	100.0
36"		100.0	100.0
42"		100.0	100.0
48"		100.0	100.0
54"		91.6	91.6
60"		83.7	83.7
66"		77.4	77.4
68"		75.6	75.6
30"	132"	100.0	100.0
36"		100.0	100.0
42"		100.0	100.0
48"		92.3	92.3
54"		83.0	83.0
60"		75.7	75.7
65"		70.8	70.8
30"		138"	100.0
36"	100.0		100.0
42"	95.3		95.3
48"	84.1		84.1
54"	75.6		75.6
60"	68.9		68.9
62"	67.0		67.0
30"	144"		100.0
36"		100.0	100.0
42"		87.1	87.1
48"		77.0	77.0
54"		69.1	69.1
60"		62.9	62.9

INTERPOLATION BETWEEN WIDTHS OR HEIGHTS ALLOWED.



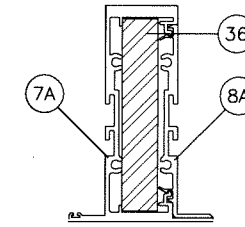
JAMB 'J2'
(LEVEL 'D' & 'E' IMPACT)

	Ix	IN ⁴	Sx	IN ³
ALUMINUM	4.027		1.788	
STEEL	1.566		.783	
TOTAL	Ix ALUM + Ix STL X 2.9	8.523		



JAMB 'J2A'
(LEVEL 'D' & 'E' IMPACT)

	Ix	IN ⁴	Sx	IN ³
ALUMINUM	5.684		2.521	
STEEL	1.566		.783	
TOTAL	Ix ALUM + Ix STL X 2.9	10.180		

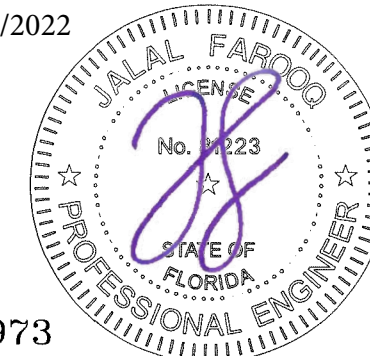


MULLION 'M2'
(LEVEL 'D' & 'E' IMPACT)

	Ix	IN ⁴	Sx	IN ³
ALUMINUM	5.670		2.514	
STEEL	4.000		2.000	
TOTAL	Ix ALUM + Ix STL X 2.9	17.270		

JAMB & MULLIONS
(LEVEL 'D' & 'E' IMPACT)
WITHOUT HORIZONTALS

Sealed: 4/27/2022



FL #19973

AL-FAROOQ CORPORATION
ENGINEERS & PRODUCT DEVELOPMENT
9360 SUNSET DRIVE, SUITE 220
MIAMI, FLORIDA 33173
TEL. (305) 264-8100 FAX. (305) 262-6978
(C.A.N. 3538)

SERIES FRONT SET ALUM WINDOWALL SYS. (L.M.I.)
Aldora Aluminum & Glass Products Inc.
4250 Coral Ridge Drive, Suite 101
Coral Springs, FL 33065
Tel. (954) 784-6900 Fax. (954) 784-6901

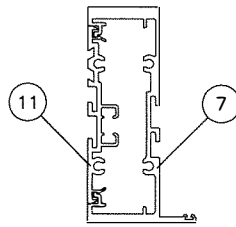
no	date	by	description

date:	06-10-21
scale:	-
dr. by:	TARIO
chk. by:	

drawing no.
21-51F
sheet 8.1 of 27

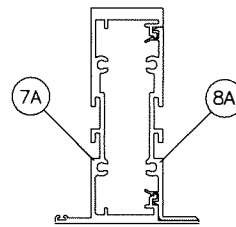
DESIGN LOAD CAPACITY - PSF NON-THERMAL MULLION WITH INTERMEDIATE HORIZONTALS			
NOMINAL DIMS.		JAMB 'J1' MULLION 'M1'	
WIDTH (W)	FRAME HEIGHT	EXT.(+)	INT.(-)
30"	84"	90.0	90.0
36"		90.0	90.0
42"		90.0	90.0
48"		90.0	90.0
54"		90.0	90.0
60"		84.5	84.5
61"		83.1	83.1
66"	76.8	76.8	
72"	70.4	70.4	
30"	90"	90.0	90.0
36"		90.0	90.0
42"		90.0	90.0
48"		90.0	90.0
54"		81.2	81.2
57"		76.9	76.9
60"		73.0	73.0
66"	66.4	66.4	
72"	60.9	60.9	
30"	96"	90.0	90.0
36"		90.0	90.0
42"		91.0	91.0
48"		79.6	79.6
54"		70.8	70.8
60"		63.7	63.7
66"		57.9	57.9
72"	53.1	53.1	
30"	102"	90.0	90.0
36"		90.0	90.0
42"		78.9	78.9
48"		69.1	69.1
50"		66.3	66.3
54"		61.4	61.4
60"		55.3	55.3
66"	50.2	50.2	
70"	47.4	47.4	
30"	108"	90.0	90.0
36"		77.6	77.6
42"		66.5	66.5
48"		58.2	58.2
54"		51.7	51.7
60"		46.6	46.6
66"		42.3	42.3
30"	114"	79.2	79.2
36"		66.0	66.0
42"		56.5	56.5
48"		49.5	49.5
54"		44.0	44.0
60"		39.6	39.6
63"		37.7	37.7
30"	120"	67.9	67.9
36"		56.6	56.6
42"		48.5	48.5
48"		42.4	42.4
54"		37.7	37.7
60"		33.9	33.9

INTERPOLATION BETWEEN WIDTHS OR HEIGHTS ALLOWED.



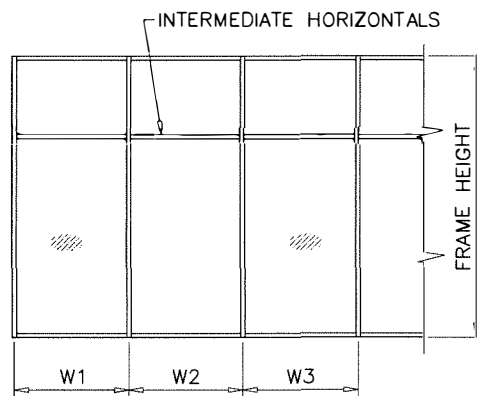
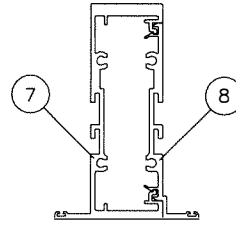
JAMB 'J1'
(LEVEL 'D' IMPACT)

Ix	IN ⁴	Sx	IN ³
	5.684		2.521



MULLION 'M1'
(LEVEL 'D' IMPACT)

Ix	IN ⁴	Sx	IN ³
	5.670		2.514

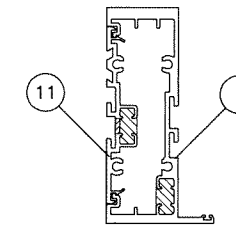


WIDTH (W) = W1
AT FRAME JAMB

WIDTH (W) = $\frac{W2 + W3}{2}$
AT FRAME MULLION

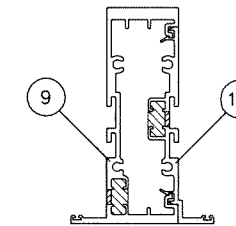
DESIGN LOAD CAPACITY - PSF THERMAL MULLION WITH INTERMEDIATE HORIZONTALS			
NOMINAL DIMS.		JAMB 'J3' MULLION 'M3'	
WIDTH (W)	FRAME HEIGHT	EXT.(+)	INT.(-)
30"	84"	90.0	90.0
36"		90.0	90.0
42"		90.0	90.0
48"		90.0	90.0
54"		90.0	90.0
60"		85.1	85.1
66"		77.3	77.3
72"	70.9	70.9	
30"	90"	90.0	90.0
36"		90.0	90.0
42"		90.0	90.0
48"		90.0	90.0
51"		86.5	86.5
54"		81.7	81.7
60"		73.5	73.5
66"	66.8	66.8	
72"	61.3	61.3	
30"	96"	90.0	90.0
36"		90.0	90.0
42"		90.0	90.0
48"		80.2	80.2
54"		71.2	71.2
60"		64.1	64.1
66"		58.3	58.3
72"	53.4	53.4	
30"	102"	80.0	80.0
36"		80.0	80.0
42"		80.0	80.0
48"		70.5	70.5
54"		62.6	62.6
60"		56.4	56.4
66"		51.2	51.2
70"	48.3	48.3	
30"	108"	80.0	80.0
36"		79.5	79.5
42"		68.2	68.2
48"		59.7	59.7
54"		53.0	53.0
60"		47.7	47.7
66"		43.4	43.4
30"	114"	80.0	80.0
36"		67.6	67.6
42"		58.0	58.0
48"		50.7	50.7
54"		45.1	45.1
60"		40.6	40.6
63"		38.6	38.6
30"	120"	69.6	69.6
36"		58.0	58.0
42"		49.7	49.7
48"		43.5	43.5
54"		38.7	38.7
60"		34.8	34.8

INTERPOLATION BETWEEN WIDTHS OR HEIGHTS ALLOWED.



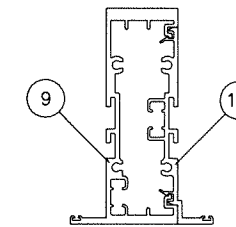
JAMB 'J3'
(LEVEL 'D' IMPACT)

Ix	IN ⁴	Sx	IN ³
	5.813		2.538



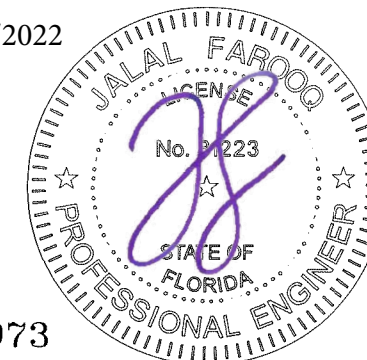
MULLION 'M3'
(LEVEL 'D' IMPACT)

Ix	IN ⁴	Sx	IN ³
	5.813		2.529



JAMB & MULLIONS
(LEVEL 'D' IMPACT)
WITH HORIZONTALS

Sealed: 4/27/2022



FL #19973

af c
AL-FAROOQ CORPORATION
ENGINEERS & PRODUCT DEVELOPMENT
9360 SUNSET DRIVE, SUITE 220 (C.A.N. 3538)
MIAMI, FLORIDA 33173 FAX. (305) 262-6978
TEL. (305) 264-8100

SERIES FRONT SET ALUM WINDOWALL SYS. (L.M.I.)
Aldora Aluminum & Glass Products Inc.
4250 Coral Ridge Drive, Suite 101
Coral Springs, FL 33065
Tel. (954) 784-6900 Fax. (954) 784-6901

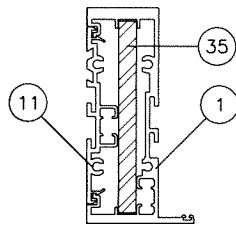
revisions:	no	date	by	description
date:	06-10-21	scale:		
dr. by:	TARIQ	chk. by:		
drawing no.	21-51F			
sheet	9 of 27			

COMP-ANL\21-51FAGP

DESIGN LOAD CAPACITY - PSF THERMAL MULLION WITH INTERMEDIATE HORIZONTALS			
NOMINAL DIMS.		JAMB 'J4' MULLION 'M4'	
WIDTH (W)	FRAME HEIGHT	EXT.(+)	INT.(-)
30"	84"	100.0	100.0
36"		100.0	100.0
42"		100.0	100.0
48"		100.0	100.0
54"		100.0	100.0
60"		100.0	100.0
66"		60.0	60.0
72"		60.0	60.0
30"	90"	100.0	100.0
36"		100.0	100.0
42"		100.0	100.0
48"		100.0	100.0
54"		100.0	100.0
56"		100.0	100.0
60"		60.0	60.0
66"		60.0	60.0
72"	60.0	60.0	
30"	96"	100.0	100.0
36"		100.0	100.0
42"		100.0	100.0
48"		100.0	100.0
52"		100.0	100.0
54"		60.0	60.0
60"		60.0	60.0
66"		60.0	60.0
72"	60.0	60.0	
30"	102"	100.0	100.0
39"		100.0	100.0
42"		100.0	100.0
48"		100.0	100.0
49"		98.2	98.2
54"		60.0	60.0
60"		60.0	60.0
66"		60.0	60.0
72"	60.0	60.0	
30"	108"	100.0	100.0
36"		100.0	100.0
42"		100.0	100.0
46"		93.3	93.3
48"		60.0	60.0
54"		60.0	60.0
60"		60.0	60.0
66"		60.0	60.0
72"	59.6	59.6	
30"	114"	100.0	100.0
36"		100.0	100.0
42"		91.7	91.7
44"		87.6	87.6
48"		60.0	60.0
54"		60.0	60.0
60"		60.0	60.0
66"		58.4	58.4
72"	53.5	53.5	

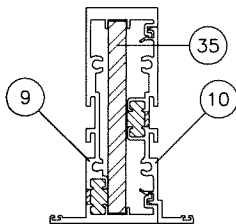
DESIGN LOAD CAPACITY - PSF THERMAL MULLION WITH INTERMEDIATE HORIZONTALS			
NOMINAL DIMS.		JAMB 'J4' MULLION 'M4'	
WIDTH (W)	FRAME HEIGHT	EXT.(+)	INT.(-)
30"	120"	100.0	100.0
36"		96.6	96.6
42"		82.8	82.8
48"		60.0	60.0
54"		60.0	60.0
60"		58.0	58.0
66"		52.7	52.7
72"		48.3	48.3
30"	126"	60.0	60.0
36"		60.0	60.0
42"		60.0	60.0
48"		60.0	60.0
54"		58.4	58.4
60"		52.6	52.6
66"		47.8	47.8
72"		46.4	46.4
30"	132"	60.0	60.0
36"		60.0	60.0
42"		60.0	60.0
48"		59.9	59.9
54"		53.2	53.2
60"		47.9	47.9
65"		44.2	44.2
30"		138"	60.0
36"	60.0		60.0
42"	60.0		60.0
48"	54.8		54.8
54"	48.7		48.7
60"	43.8		43.8
62"	42.4		42.4
30"	144"		60.0
36"		60.0	60.0
42"		57.2	57.2
48"		50.0	50.0
54"		44.5	44.5
60"		40.0	40.0

INTERPOLATION BETWEEN WIDTHS OR HEIGHTS ALLOWED.



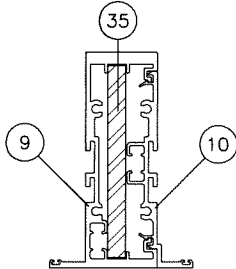
JAMB 'J4'
(LEVEL 'D' IMPACT)

	Ix IN ⁴	Sx IN ³
ALUMINUM	5.813	2.538
STEEL	2.000	1.000
TOTAL	11.613	
Ix ALUM + Ix STL X 2.9		

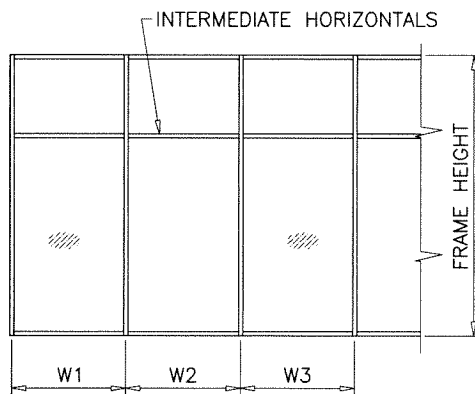


MULLION 'M4'
(LEVEL 'D' IMPACT)

	Ix IN ⁴	Sx IN ³
ALUMINUM	5.813	2.529
STEEL	2.000	1.000
TOTAL	11.613	
Ix ALUM + Ix STL X 2.9		



MULLION 'M4'
(LEVEL 'D' IMPACT)

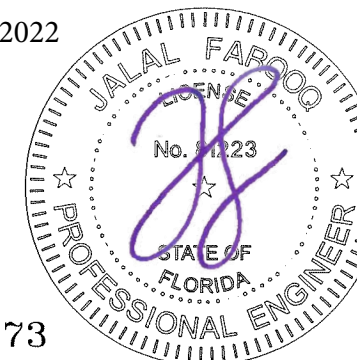


WIDTH (W) = W1
AT FRAME JAMB

WIDTH (W) = $\frac{W2 + W3}{2}$
AT FRAME MULLION

JAMB & MULLIONS
(LEVEL 'D' IMPACT)
WITH HORIZONTALS

Sealed: 4/27/2022



FL #19973

af c
AL-FAROOQ CORPORATION
ENGINEERS & PRODUCT DEVELOPMENT
9360 SUNSET DRIVE, SUITE 220 (C.A.N. 3538)
MIAMI, FLORIDA 33173
TEL. (305) 264-8100 FAX. (305) 262-6978
COMP-ANL\21-51FAGP

SERIES FRONT SET ALUM WINDOW WALL SYS. (L.M.I.)
Aldora Aluminum & Glass Products Inc.
4250 Coral Ridge Drive, Suite 101
Coral Springs, FL. 33065
Tel. (954) 784-6900 Fax. (954) 784-6901

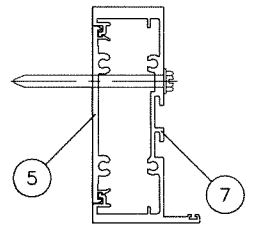
no	date	description

date: 06-10-21
scale: -
dr. by: TARIQ
chk. by:

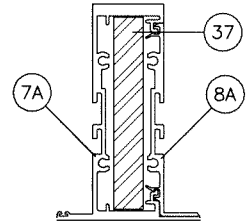
drawing no.
21-51F
sheet 10 of 27

DESIGN LOAD CAPACITY - PSF NON-THERMAL MULLION WITH OR WITHOUT HORIZONTALS			
NOMINAL DIMS.		MULLION 'M5'	
WIDTH (W)	FRAME HEIGHT	EXT.(+)	INT.(-)
30"	84"	65.0	65.0
36"		65.0	65.0
42"		65.0	65.0
48"		65.0	65.0
54"		65.0	65.0
60"		65.0	65.0
66"		65.0	65.0
30"	90"	65.0	65.0
36"		65.0	65.0
42"		65.0	65.0
48"		65.0	65.0
54"		65.0	65.0
60"		65.0	65.0
30"	96"	65.0	65.0
36"		65.0	65.0
42"		65.0	65.0
48"		65.0	65.0
54"		65.0	65.0
60"		65.0	65.0
30"	102"	65.0	65.0
36"		65.0	65.0
42"		65.0	65.0
48"		65.0	65.0
54"		65.0	65.0
30"	108"	65.0	65.0
36"		65.0	65.0
42"		65.0	65.0
48"		65.0	65.0
30"	114"	65.0	65.0
36"		65.0	65.0
42"		65.0	65.0
48"		65.0	65.0
30"	120"	65.0	65.0
36"		65.0	65.0
42"		65.0	65.0
48"		65.0	65.0

INTERPOLATION BETWEEN WIDTHS OR HEIGHTS ALLOWED.

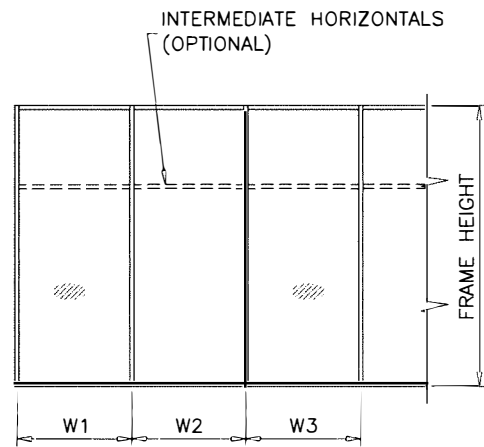


ANCHORED JAMBS ONLY.



MULLION 'M5'
(LEVEL 'D' IMPACT)

	Ix IN ⁴	Sx IN ³
ALUMINUM	5.670	2.514
STEEL	3.3333	1.6667
TOTAL Ix ALUM + Ix STL X 2.9	15.2409	

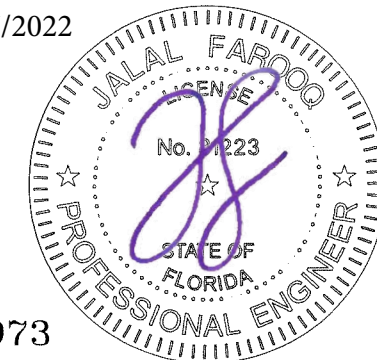


WIDTH (W) = W1
AT FRAME JAMB

WIDTH (W) = $\frac{W2 + W3}{2}$
AT FRAME MULLION

MULLION
(LEVEL 'D' IMPACT)
WITH OR WITHOUT HORIZONTALS

Sealed: 4/27/2022



FL #19973

af c
AL-FAROOQ CORPORATION
 ENGINEERS & PRODUCT DEVELOPMENT
 9360 SUNSET DRIVE, SUITE 220 (C.A.N. 3538)
 MIAMI, FLORIDA 33173
 TEL. (305) 262-6978 FAX. (305) 262-6978
 COMP-ANL\21-51FAGP

SERIES FRONT SET ALUM WINDOW WALL SYS. (L.M.I.)
Aldora Aluminum & Glass Products Inc.
 4250 Coral Ridge Drive, Suite 101
 Coral Springs, FL 33065
 Tel. (954) 784-6900 Fax. (954) 784-6901

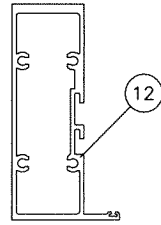
no	date	by	description

date: 06-10-21	scale: -	dr. by: TARIQ	chk. by:
----------------	----------	---------------	----------

drawing no.
21-51F
sheet 11 of 27

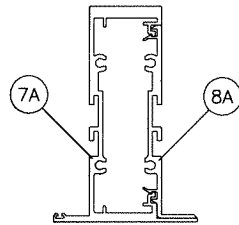
DESIGN LOAD CAPACITY - PSF NON-THERMAL MULLION WITH INTERMEDIATE HORIZONTALS			
NOMINAL DIMS.		JAMB 'J5' MULLION 'M1'	
WIDTH (W)	FRAME HEIGHT	EXT.(+)	INT.(-)
30"	84"	90.0	90.0
36"		90.0	90.0
42"		90.0	90.0
48"		90.0	90.0
53-1/2"		90.0	90.0
30"	90"	90.0	90.0
36"		90.0	90.0
42"		90.0	90.0
48"		90.0	90.0
53-1/2"		81.2	81.2

INTERPOLATION BETWEEN WIDTHS OR HEIGHTS ALLOWED.



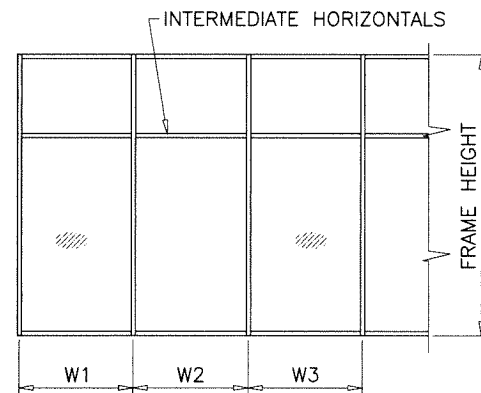
JAMB 'J5'
(LEVEL 'D' & 'E' IMPACT)

Ix IN ⁴	Sx IN ³
4.027	1.788



MULLION 'M1'
(LEVEL 'D' & 'E' IMPACT)

Ix IN ⁴	Sx IN ³
5.670	2.514



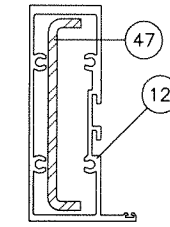
WIDTH (W) = W1
AT FRAME JAMB

WIDTH (W) = $\frac{W2 + W3}{2}$
AT FRAME MULLION

DESIGN LOAD CAPACITY - PSF NON-THERMAL MULLION WITH INTERMEDIATE HORIZONTALS			
NOMINAL DIMS.		JAMB 'J2'/'J2A' MULLION 'M2'	
WIDTH (W)	FRAME HEIGHT	EXT.(+)	INT.(-)
30"	84"	120.0	135.0
36"		120.0	135.0
42"		120.0	135.0
48"		120.0	135.0
54"		120.0	135.0
60"		120.0	135.0
66"		100.0	100.0
72"		100.0	100.0
30"	90"	120.0	135.0
36"		120.0	135.0
42"		120.0	135.0
48"		120.0	135.0
54"		120.0	135.0
56"		120.0	135.0
60"		100.0	100.0
66"		100.0	100.0
72"	100.0	100.0	
30"	96"	120.0	135.0
36"		120.0	135.0
42"		120.0	135.0
48"		120.0	135.0
52"		120.0	135.0
54"		100.0	100.0
60"		100.0	100.0
66"		100.0	100.0
72"	100.0	100.0	
30"	102"	120.0	135.0
39"		120.0	135.0
42"		120.0	135.0
48"		120.0	135.0
49"		120.0	135.0
54"		100.0	100.0
60"		100.0	100.0
66"		100.0	100.0
72"	98.6	98.6	
30"	108"	120.0	135.0
36"		120.0	135.0
42"		120.0	135.0
46"		120.0	135.0
48"		100.0	100.0
54"		100.0	100.0
60"		100.0	100.0
66"		96.0	96.0
72"	88.0	88.0	
30"	114"	120.0	135.0
36"		120.0	135.0
42"		120.0	135.0
44"		120.0	130.0
48"		100.0	100.0
54"		100.0	100.0
60"		94.7	94.7
66"		86.1	86.1
72"		79.0	79.0

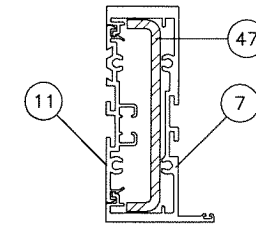
DESIGN LOAD CAPACITY - PSF NON-THERMAL MULLION WITH INTERMEDIATE HORIZONTALS			
NOMINAL DIMS.		JAMB 'J2'/'J2A' MULLION 'M2'	
WIDTH (W)	FRAME HEIGHT	EXT.(+)	INT.(-)
30"	120"	120.0	135.0
36"		120.0	135.0
42"		120.0	122.9
48"		100.0	100.0
54"		95.0	95.0
60"		85.5	85.5
66"		77.7	77.7
72"		71.3	71.3
30"	126"	100.0	100.0
36"		100.0	100.0
42"		100.0	100.0
48"		97.0	97.0
54"		86.2	86.2
60"		77.6	77.6
66"		70.5	70.5
68"		68.4	68.4
30"	132"	100.0	100.0
36"		100.0	100.0
42"		100.0	100.0
48"		88.3	88.3
54"		78.5	78.5
60"		70.7	70.7
65"		65.2	65.2
30"		138"	100.0
36"	100.0		100.0
42"	92.4		92.4
48"	80.8		80.8
54"	71.8		71.8
60"	64.7		64.7
62"	62.6		62.6
30"	144"		100.0
36"		98.4	98.4
42"		84.4	84.4
48"		73.8	73.8
54"		65.6	65.6
60"		59.1	59.1

INTERPOLATION BETWEEN WIDTHS OR HEIGHTS ALLOWED.



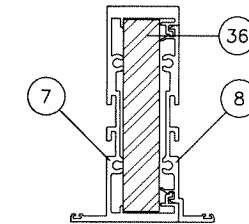
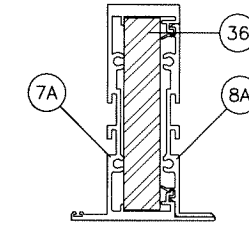
JAMB 'J2'
(LEVEL 'D' & 'E' IMPACT)

	Ix IN ⁴	Sx IN ³
ALUMINUM	4.027	1.788
STEEL	1.566	.783
TOTAL Ix ALUM + Ix STL X 2.9	8.523	



JAMB 'J2A'
(LEVEL 'D' & 'E' IMPACT)

	Ix IN ⁴	Sx IN ³
ALUMINUM	5.684	2.521
STEEL	1.566	.783
TOTAL Ix ALUM + Ix STL X 2.9	10.180	



MULLION 'M2'
(LEVEL 'D' & 'E' IMPACT)

	Ix IN ⁴	Sx IN ³
ALUMINUM	5.670	2.514
STEEL	4.000	2.000
TOTAL Ix ALUM + Ix STL X 2.9	17.270	

JAMB & MULLIONS
(LEVEL 'D' & 'E' IMPACT)
WITH HORIZONTALS

Sealed: 4/27/2022



FL #19973

af c
AL-FAROOQ CORPORATION
ENGINEERS & PRODUCT DEVELOPMENT
9360 SUNSET DRIVE, SUITE 220 (C.A.N. 3538)
MIAMI, FLORIDA 33173
TEL. (305) 264-8100 FAX. (305) 262-6978
COMP-ANL\21-51FAGP

SERIES FRONT SET ALUM WINDOW WALL SYS. (L.M.I.)
Aldora Aluminum & Glass Products Inc.
4250 Coral Ridge Drive, Suite 101
Coral Springs, FL. 33065
Tel. (954) 784-6900 Fax. (954) 784-6901

revisions:	no	date	description

date: 06-10-21	scale: -	dr. by: TARIQ	chk. by:
----------------	----------	---------------	----------

drawing no.
21-51F
sheet 11.1 of 27

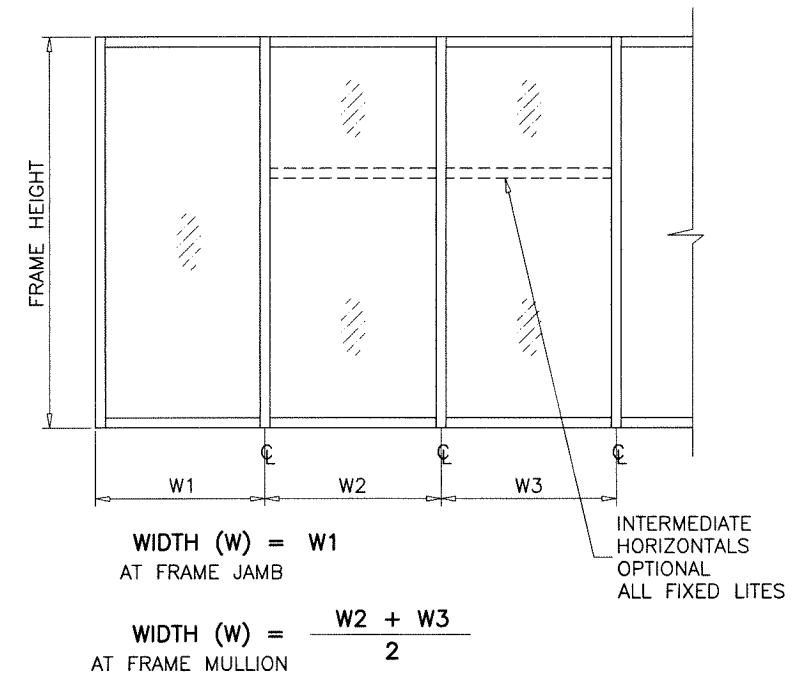
ANCHOR LOAD CAPACITY - PSF (1/4" MAX. SHIMS) EXT.(+) & INT.(-)																
NOMINAL DIMS.		ANCHORS TYPE 'AW'			ANCHORS TYPE 'BW'			ANCHORS TYPE 'AC'			ANCHORS TYPE 'BC'			ANCHORS TYPE 'CM'		
WIDTH (W)	FRAME HEIGHT	AW2	AW3	AW4	BW2	BW3	BW4	AC2	AC3	AC4	BC2	BC3	BC4	CM2	CM3	CM4
30"	96"	123.3	135.0	135.0	135.0	135.0	135.0	135.0	135.0	135.0	135.0	135.0	135.0	135.0	135.0	135.0
36"		106.7	135.0	135.0	135.0	135.0	135.0	135.0	135.0	135.0	135.0	135.0	135.0	135.0	135.0	135.0
42"		95.1	135.0	135.0	125.1	135.0	135.0	124.3	135.0	135.0	135.0	135.0	135.0	135.0	135.0	135.0
48"		86.7	130.0	135.0	114.0	135.0	135.0	113.3	135.0	135.0	135.0	135.0	135.0	127.7	135.0	135.0
52"		82.3	123.4	135.0	108.2	135.0	135.0	107.6	135.0	135.0	134.2	135.0	135.0	121.2	135.0	135.0
54"		80.4	120.6	135.0	105.7	135.0	135.0	105.1	135.0	135.0	131.1	135.0	135.0	118.4	135.0	135.0
60"		75.6	113.5	135.0	99.5	135.0	135.0	98.9	135.0	135.0	123.3	135.0	135.0	111.4	135.0	135.0
66"		72.0	108.1	135.0	94.8	135.0	135.0	94.2	135.0	135.0	117.5	135.0	135.0	106.1	135.0	135.0
72"	69.3	104.0	135.0	91.2	135.0	135.0	90.7	135.0	135.0	113.1	135.0	135.0	102.1	135.0	135.0	
30"	102"	114.8	135.0	135.0	135.0	135.0	135.0	135.0	135.0	135.0	135.0	135.0	135.0	135.0	135.0	135.0
36"		99.0	135.0	135.0	130.3	135.0	135.0	129.5	135.0	135.0	135.0	135.0	135.0	135.0	135.0	135.0
42"		88.0	132.1	135.0	115.8	135.0	135.0	115.1	135.0	135.0	135.0	135.0	135.0	129.7	135.0	135.0
48"		80.0	120.0	135.0	105.2	135.0	135.0	104.6	135.0	135.0	130.5	135.0	135.0	117.8	135.0	135.0
52"		75.8	113.7	135.0	99.7	135.0	135.0	99.1	135.0	135.0	123.6	135.0	135.0	111.6	135.0	135.0
54"		74.0	110.9	135.0	97.3	135.0	135.0	96.7	135.0	135.0	120.6	135.0	135.0	108.9	135.0	135.0
60"		69.3	104.0	135.0	91.2	135.0	135.0	90.7	135.0	135.0	113.1	135.0	135.0	102.1	135.0	135.0
66"		65.8	98.7	131.5	86.5	129.8	135.0	86.0	129.0	135.0	107.3	135.0	135.0	96.9	135.0	135.0
72"	63.0	94.5	126.1	82.9	124.4	135.0	82.4	123.6	135.0	102.8	135.0	135.0	92.8	135.0	135.0	
30"	108"	107.4	135.0	135.0	135.0	135.0	135.0	135.0	135.0	135.0	135.0	135.0	135.0	135.0	135.0	135.0
36"		92.4	135.0	135.0	121.6	135.0	135.0	120.9	135.0	135.0	135.0	135.0	135.0	135.0	135.0	135.0
42"		82.0	123.0	135.0	107.8	135.0	135.0	107.2	135.0	135.0	133.7	135.0	135.0	120.7	135.0	135.0
48"		74.3	111.4	135.0	97.7	135.0	135.0	97.1	135.0	135.0	121.1	135.0	135.0	109.4	135.0	135.0
52"		70.2	105.4	135.0	92.4	135.0	135.0	91.9	135.0	135.0	114.6	135.0	135.0	103.5	135.0	135.0
54"		68.5	102.7	135.0	90.1	135.0	135.0	89.5	134.3	135.0	111.7	135.0	135.0	100.9	135.0	135.0
60"		64.0	96.0	128.0	84.2	126.3	135.0	83.7	125.5	135.0	104.4	135.0	135.0	94.3	135.0	135.0
66"		60.5	90.8	121.0	79.6	119.4	135.0	79.1	118.7	135.0	98.7	135.0	135.0	89.1	133.7	135.0
72"	57.8	86.7	115.6	76.0	114.0	135.0	75.6	113.3	135.0	94.2	135.0	135.0	85.1	127.7	135.0	
30"	114"	100.8	135.0	135.0	132.7	135.0	135.0	131.9	135.0	135.0	135.0	135.0	135.0	135.0	135.0	135.0
36"		86.7	130.0	135.0	114.0	135.0	135.0	113.3	135.0	135.0	135.0	135.0	135.0	127.7	135.0	135.0
42"		76.7	115.0	135.0	100.9	135.0	135.0	100.3	135.0	135.0	125.1	135.0	135.0	113.0	135.0	135.0
48"		69.3	104.0	135.0	91.2	135.0	135.0	90.7	135.0	135.0	113.1	135.0	135.0	102.1	135.0	135.0
52"		65.5	98.2	130.9	86.1	129.1	135.0	85.6	128.4	135.0	106.7	135.0	135.0	96.4	135.0	135.0
54"		63.8	95.6	127.5	83.9	125.8	135.0	83.4	125.1	135.0	104.0	135.0	135.0	93.9	135.0	135.0
60"		59.4	89.1	118.9	78.2	117.3	135.0	77.7	116.6	135.0	96.9	135.0	135.0	87.5	131.3	135.0
66"		56.0	84.0	112.1	73.7	110.5	135.0	73.3	109.9	135.0	91.4	135.0	135.0	82.5	123.8	135.0
72"	53.3	80.0	106.7	70.2	105.2	135.0	69.7	104.6	135.0	87.0	130.5	135.0	78.6	117.8	135.0	
30"	120"	95.1	135.0	135.0	125.1	135.0	135.0	124.3	135.0	135.0	135.0	135.0	135.0	135.0	135.0	135.0
36"		81.6	122.4	135.0	107.3	135.0	135.0	106.7	135.0	135.0	133.0	135.0	135.0	120.2	135.0	135.0
42"		72.0	108.1	135.0	94.8	135.0	135.0	94.2	135.0	135.0	117.5	135.0	135.0	106.1	135.0	135.0
48"		65.0	97.5	130.0	85.5	128.3	135.0	85.0	127.5	135.0	106.0	135.0	135.0	95.8	135.0	135.0
52"		61.3	91.9	122.6	80.6	120.9	135.0	80.1	120.2	135.0	99.9	135.0	135.0	90.3	135.0	135.0
54"		59.6	89.5	119.3	78.5	117.7	135.0	78.0	117.0	135.0	97.3	135.0	135.0	87.9	131.8	135.0
60"		55.5	83.2	110.9	73.0	109.4	135.0	72.5	108.8	135.0	90.5	135.0	135.0	81.7	122.6	135.0
66"		52.2	78.2	104.3	68.6	102.9	135.0	68.2	102.3	135.0	85.1	127.6	135.0	76.8	115.3	135.0
72"	49.5	74.3	99.0	65.1	97.7	130.3	64.8	97.1	129.5	80.8	121.1	135.0	73.0	109.4	135.0	
30"	126"	89.9	134.9	135.0	118.3	135.0	135.0	117.6	135.0	135.0	135.0	135.0	135.0	132.5	135.0	135.0
36"		77.0	115.6	135.0	101.3	135.0	135.0	100.7	135.0	135.0	125.6	135.0	135.0	113.5	135.0	135.0
42"		67.9	101.9	135.0	89.3	134.0	135.0	88.8	133.2	135.0	110.8	135.0	135.0	100.0	135.0	135.0
48"		61.2	91.8	122.4	80.5	120.7	135.0	80.0	120.0	135.0	99.8	135.0	135.0	90.1	135.0	135.0
52"		57.6	86.4	115.2	75.8	113.6	135.0	75.3	113.0	135.0	93.9	135.0	135.0	84.8	127.3	135.0
54"		56.0	84.0	112.1	73.7	110.5	135.0	73.3	109.9	135.0	91.4	135.0	135.0	82.5	123.8	135.0
60"		52.0	78.0	104.0	68.4	102.6	135.0	68.0	102.0	135.0	84.8	127.2	135.0	76.6	114.9	135.0
66"		48.8	73.2	97.6	64.2	96.3	128.4	63.8	95.7	127.6	79.6	119.4	135.0	71.9	107.8	135.0

ANCHOR LOAD CAPACITY - PSF (1/4" MAX. SHIMS) EXT.(+) & INT.(-)																
NOMINAL DIMS.		ANCHORS TYPE 'AW'			ANCHORS TYPE 'BW'			ANCHORS TYPE 'AC'			ANCHORS TYPE 'BC'			ANCHORS TYPE 'CM'		
WIDTH (W)	FRAME HEIGHT	AW2	AW3	AW4	BW2	BW3	BW4	AC2	AC3	AC4	BC2	BC3	BC4	CM2	CM3	CM4
30"	132"	85.3	128.0	135.0	112.2	135.0	135.0	111.6	135.0	135.0	135.0	135.0	135.0	125.7	135.0	135.0
36"		73.0	109.5	135.0	96.0	135.0	135.0	95.4	135.0	135.0	119.0	135.0	135.0	107.5	135.0	135.0
42"		64.2	96.4	128.5	84.5	126.8	135.0	84.0	126.0	135.0	104.8	135.0	135.0	94.6	135.0	135.0
48"		57.8	86.7	115.6	76.0	114.0	135.0	75.6	113.3	135.0	94.2	135.0	135.0	85.1	127.7	135.0
52"		54.3	81.5	108.7	71.5	107.2	135.0	71.1	106.6	135.0	88.6	132.9	135.0	80.0	120.1	135.0
54"		52.8	79.2	105.7	69.5	104.2	135.0	69.1	103.6	135.0	86.1	129.2	135.0	77.8	116.7	135.0
60"	48.9	73.4	97.9	64.4	96.6	128.8	64.0	96.0	128.0	79.8	119.7	135.0	72.1	108.1	135.0	
30"	138"	81.2	121.8	135.0	106.8	135.0	135.0	106.1	135.0	135.0	132.4	135.0	135.0	119.6	135.0	135.0
36"		69.3	104.0	135.0	91.2	135.0	135.0	90.7	135.0	135.0	113.1	135.0	135.0	102.1	135.0	135.0
42"		61.0	91.4	121.9	80.2	120.3	135.0	79.7	119.6	135.0	99.4	135.0	135.0	89.8	134.7	135.0
48"		54.7	82.1	109.5	72.0	108.0	135.0	71.6	107.4	135.0	89.3	133.9	135.0	80.6	120.9	135.0
52"		51.4	77.1	102.9	67.6	101.5	135.0	67.3	100.9	134.5	83.9	125.8	135.0	75.8	113.6	135.0
54"		50.0	75.0	99.9	65.7	98.6	131.5	65.3	98.0	130.7	81.5	122.2	135.0	73.6	110.4	135.0
60"	46.2	69.3	92.4	60.8	91.2	121.6	60.4	90.7	120.9	75.4	113.1	135.0	68.1	102.1	135.0	
30"	144"	77.4	116.1	135.0	101.8	135.0	135.0	101.2	135.0	135.0	126.2	135.0	135.0	114.0	135.0	135.0
36"		66.0	99.0	132.1	86.9	130.3	135.0	86.3	129.5	135.0	107.7	135.0	135.0	97.3	135.0	135.0
42"		58.0	87.0	116.0	76.3	114.4	135.0	75.8	113.7	135.0	94.6	135.0	135.0	85.4	128.1	135.0
48"		52.0	78.0	104.0	68.4	102.6	135.0	68.0	102.0	135.0	84.8	127.2	135.0	76.6	114.9	135.0
52"		48.8	73.2	97.6	64.2	96.3	128.4	63.8	95.7	127.7	79.6	119.4	135.0	71.9	107.9	135.0
54"		47.4	71.1	94.8	62.4	93.5	124.7	62.0	93.0	124.0	77.3	116.0	135.0	69.8	104.8	135.0
60"	43.8	65.7	87.6	57.6	86.4	115.2	57.3	85.9	114.							

ANCHOR LOAD CAPACITY - PSF (3/8" MAX. SHIMS) EXT.(+) & INT.(-)										
NOMINAL DIMS.		ANCHORS TYPE 'BW'			ANCHORS TYPE 'BC'			ANCHORS TYPE 'CM'		
WIDTH (W)	FRAME HEIGHT	BW2	BW3	BW4	BC2	BC3	BC4	CM2	CM3	CM4
30"	96"	123.7	135.0	135.0	123.7	135.0	135.0	88.3	132.5	135.0
36"		107.1	135.0	135.0	107.1	135.0	135.0	76.4	114.7	135.0
42"		95.5	135.0	135.0	95.5	135.0	135.0	68.1	102.2	135.0
48"		87.0	130.5	135.0	87.0	130.5	135.0	62.1	93.2	124.2
52"		82.6	123.9	135.0	82.6	123.9	135.0	58.9	88.5	117.9
54"		80.7	121.0	135.0	80.7	121.0	135.0	57.6	86.4	115.2
60"		75.9	113.9	135.0	75.9	113.9	135.0	54.2	81.3	108.4
66"		72.3	108.5	135.0	72.3	108.5	135.0	51.6	77.4	103.2
72"	69.6	104.4	135.0	69.6	104.4	135.0	49.7	74.5	99.3	
30"	102"	115.2	135.0	135.0	115.2	135.0	135.0	82.2	123.4	135.0
36"		99.4	135.0	135.0	99.4	135.0	135.0	71.0	106.5	135.0
42"		88.4	132.6	135.0	88.4	132.6	135.0	63.1	94.6	126.1
48"		80.3	120.5	135.0	80.3	120.5	135.0	57.3	86.0	114.6
52"		76.1	114.1	135.0	76.1	114.1	135.0	54.3	81.5	108.6
54"		74.2	111.4	135.0	74.2	111.4	135.0	53.0	79.5	106.0
60"		69.6	104.4	135.0	69.6	104.4	135.0	49.7	74.5	99.3
66"		66.0	99.0	132.0	66.0	99.0	132.0	47.1	70.7	94.2
72"	63.3	94.9	126.5	63.3	94.9	126.5	45.2	67.8	90.3	
30"	108"	107.8	135.0	135.0	107.8	135.0	135.0	76.9	115.4	135.0
36"		92.8	135.0	135.0	92.8	135.0	135.0	66.2	99.4	132.4
42"		82.3	123.4	135.0	82.3	123.4	135.0	58.7	88.1	117.4
48"		74.6	111.9	135.0	74.6	111.9	135.0	53.2	79.9	106.4
52"		70.5	105.8	135.0	70.5	105.8	135.0	50.3	75.5	100.6
54"		68.7	103.1	135.0	68.7	103.1	135.0	49.1	73.6	98.1
60"		64.2	96.4	128.5	64.2	96.4	128.5	45.8	68.8	91.7
66"		60.7	91.1	121.5	60.7	91.1	121.5	43.3	65.0	86.7
72"	58.0	87.0	116.0	58.0	87.0	116.0	41.4	62.1	82.8	
30"	114"	101.2	135.0	135.0	101.2	135.0	135.0	72.2	108.4	135.0
36"		87.0	130.5	135.0	87.0	130.5	135.0	62.1	93.2	124.2
42"		77.0	115.5	135.0	77.0	115.5	135.0	54.9	82.4	109.9
48"		69.6	104.4	135.0	69.6	104.4	135.0	49.7	74.5	99.3
52"		65.7	98.6	131.4	65.7	98.6	131.4	46.9	70.4	93.8
54"		64.0	96.0	128.0	64.0	96.0	128.0	45.7	68.5	91.3
60"		59.7	89.5	119.3	59.7	89.5	119.3	42.6	63.9	85.1
66"		56.2	84.4	112.5	56.2	84.4	112.5	40.1	60.2	80.3
72"	53.5	80.3	107.1	53.5	80.3	107.1	38.2	57.3	76.4	
30"	120"	95.5	135.0	135.0	95.5	135.0	135.0	68.1	102.2	135.0
36"		81.9	122.8	135.0	81.9	122.8	135.0	58.4	87.7	116.9
42"		72.3	108.5	135.0	72.3	108.5	135.0	51.6	77.4	103.2
48"		65.3	97.9	130.5	65.3	97.9	130.5	46.6	69.9	93.1
52"		61.5	92.3	123.0	61.5	92.3	123.0	43.9	65.9	87.8
54"		59.9	89.8	119.7	59.9	89.8	119.7	42.7	64.1	85.4
60"		55.7	83.5	111.4	55.7	83.5	111.4	39.7	59.6	79.5
66"		52.4	78.5	104.7	52.4	78.5	104.7	37.4	56.1	74.7
72"	49.7	74.6	99.4	49.7	74.6	99.4	35.5	53.2	71.0	
30"	126"	90.3	135.0	135.0	90.3	135.0	135.0	64.4	96.7	128.9
36"		77.3	116.0	135.0	77.3	116.0	135.0	55.2	82.8	110.4
42"		68.2	102.3	135.0	68.2	102.3	135.0	48.7	73.0	97.3
48"		61.4	92.1	122.8	61.4	92.1	122.8	43.8	65.8	87.6
52"		57.8	86.7	115.6	57.8	86.7	115.6	41.3	61.9	82.5
54"		56.2	84.4	112.5	56.2	84.4	112.5	40.1	60.2	80.3
60"		52.2	78.3	104.4	52.2	78.3	104.4	37.3	55.9	74.5
66"		49.0	73.5	98.0	49.0	73.5	98.0	35.0	52.5	69.9

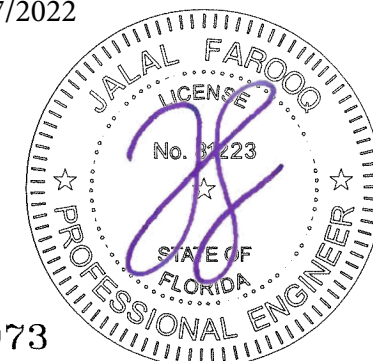
ANCHOR LOAD CAPACITY - PSF (3/8" MAX. SHIMS) EXT.(+) & INT.(-)										
NOMINAL DIMS.		ANCHORS TYPE 'BW'			ANCHORS TYPE 'BC'			ANCHORS TYPE 'CM'		
WIDTH (W)	FRAME HEIGHT	BW2	BW3	BW4	BC2	BC3	BC4	CM2	CM3	CM4
30"	132"	85.7	128.5	135.0	85.7	128.5	135.0	61.1	91.7	122.3
36"		73.3	109.9	135.0	73.3	109.9	135.0	52.3	78.5	104.6
42"		64.5	96.7	129.0	64.5	96.7	129.0	46.0	69.1	92.0
48"		58.0	87.0	116.0	58.0	87.0	116.0	41.4	62.1	82.8
52"		54.5	81.8	109.1	54.5	81.8	109.1	38.9	58.4	77.9
54"		53.0	79.5	106.1	53.0	79.5	106.1	37.8	56.8	75.7
60"	49.1	73.7	98.3	49.1	73.7	98.3	35.1	52.6	70.1	
30"	138"	81.5	122.2	135.0	81.5	122.2	135.0	58.1	87.3	116.3
36"		69.6	104.4	135.0	69.6	104.4	135.0	49.7	74.5	99.3
42"		61.2	91.8	122.4	61.2	91.8	122.4	43.7	65.5	87.3
48"		54.9	82.4	109.9	54.9	82.4	109.9	39.2	58.8	78.4
52"		51.6	77.4	103.3	51.6	77.4	103.3	36.8	55.3	73.7
54"		50.2	75.2	100.3	50.2	75.2	100.3	35.8	53.7	71.6
60"	46.4	69.6	92.8	46.4	69.6	92.8	33.1	49.7	66.2	
30"	144"	77.7	116.5	135.0	77.7	116.5	135.0	55.4	83.2	110.9
36"		66.3	99.4	132.6	66.3	99.4	132.6	47.3	71.0	94.6
42"		58.2	87.3	116.4	58.2	87.3	116.4	41.5	62.3	83.1
48"		52.2	78.3	104.4	52.2	78.3	104.4	37.3	55.9	74.5
52"		49.0	73.5	98.0	49.0	73.5	98.0	35.0	52.5	69.9
54"		47.6	71.4	95.2	47.6	71.4	95.2	34.0	51.0	67.9
60"	44.0	65.9	87.9	44.0	65.9	87.9	31.4	47.1	62.7	

INTERPOLATION BETWEEN WIDTHS OR HEIGHTS ALLOWED.



SEE SHEET 12 FOR ANCHOR TYPES.

Sealed: 4/27/2022



HEAD/SILL ANCHORS

FL #19973

af c
AL-FAROOQ CORPORATION
 ENGINEERS & PRODUCT DEVELOPMENT
 9360 SUNSET DRIVE, SUITE 220 (C.A.N. 3538)
 MIAMI, FLORIDA 33173 FAX. (305) 262-6978
 TEL. (305) 264-8100 COMP-ANL\21-51FAGP

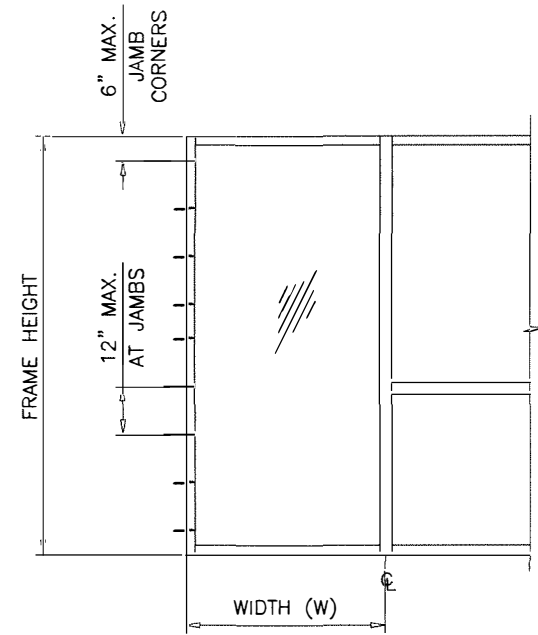
SERIES FRONT SET ALUM WINDOW WALL SYS. (L.M.I.)
Aldora Aluminum & Glass Products Inc.
 4250 Coral Ridge Drive, Suite 101
 Coral Springs, FL 33065
 Tel. (954) 784-6900 Fax. (954) 784-6901

revisions:	no	date	description
date:	06-10-21	scale:	-
dr. by:	TARIQ	chk. by:	
drawing no.	21-51F		
sheet	14 of 27		

JAMB ANCHOR LOAD CAPACITY - PSF EXT.(+) & INT.(-)							
NOMINAL DIMS.		ANCHORS 'AW', 'AC'		ANCHORS TYPES 'CM'		ANCHORS TYPES 'BW' & 'BC'	
WIDTH (W)	FRAME HEIGHT	1/4" SHIMS	3/8" SHIMS	1/4" SHIMS	3/8" SHIMS	1/4" SHIMS	3/8" SHIMS
30"	84"	135.0	135.0	135.0	135.0	135.0	135.0
36"		135.0	135.0	135.0	135.0	135.0	135.0
42"		135.0	135.0	135.0	135.0	135.0	135.0
48"		135.0	135.0	135.0	135.0	135.0	135.0
54"		135.0	131.5	135.0	135.0	135.0	135.0
60"		135.0	124.9	135.0	135.0	135.0	135.0
66"		135.0	120.2	135.0	135.0	135.0	135.0
72"		135.0	117.1	135.0	135.0	135.0	135.0
30"	90"	135.0	135.0	135.0	135.0	135.0	135.0
36"		135.0	135.0	135.0	135.0	135.0	135.0
42"		135.0	135.0	135.0	135.0	135.0	135.0
48"		135.0	135.0	135.0	135.0	135.0	135.0
54"		135.0	135.0	135.0	135.0	135.0	135.0
60"		135.0	128.4	135.0	135.0	135.0	135.0
66"		135.0	122.9	135.0	135.0	135.0	135.0
72"		135.0	118.9	135.0	135.0	135.0	135.0
30"	96"	135.0	135.0	135.0	135.0	135.0	135.0
36"		135.0	135.0	135.0	135.0	135.0	135.0
42"		135.0	135.0	135.0	135.0	135.0	135.0
48"		135.0	133.8	135.0	135.0	135.0	135.0
54"		135.0	124.1	135.0	135.0	135.0	135.0
60"		135.0	116.8	135.0	135.0	135.0	135.0
66"		135.0	111.2	135.0	135.0	135.0	135.0
72"		133.3	107.0	133.3	135.0	135.0	135.0
30"	102"	135.0	135.0	135.0	135.0	135.0	135.0
36"		135.0	135.0	135.0	135.0	135.0	135.0
42"		135.0	135.0	135.0	135.0	135.0	135.0
48"		135.0	135.0	135.0	135.0	135.0	135.0
54"		135.0	128.4	135.0	135.0	135.0	135.0
60"		135.0	120.4	135.0	135.0	135.0	135.0
66"		135.0	114.2	135.0	135.0	135.0	135.0
72"		135.0	109.5	135.0	135.0	135.0	135.0
30"	108"	135.0	135.0	135.0	135.0	135.0	135.0
36"		135.0	135.0	135.0	135.0	135.0	135.0
42"		135.0	135.0	135.0	135.0	135.0	135.0
48"		135.0	129.0	135.0	135.0	135.0	135.0
54"		135.0	118.9	135.0	135.0	135.0	135.0
60"		135.0	111.2	135.0	135.0	135.0	135.0
66"		130.9	105.1	130.9	135.0	135.0	135.0
72"		125.0	100.4	125.0	130.6	135.0	135.0
30"	114"	135.0	135.0	135.0	135.0	135.0	135.0
36"		135.0	135.0	135.0	135.0	135.0	135.0
42"		135.0	135.0	135.0	135.0	135.0	135.0
48"		135.0	133.8	135.0	135.0	135.0	135.0
54"		135.0	123.0	135.0	135.0	135.0	135.0
60"		135.0	114.7	135.0	135.0	135.0	135.0
66"		134.7	108.1	134.7	135.0	135.0	135.0
72"		128.2	102.9	128.2	133.9	135.0	135.0
30"	120"	135.0	135.0	135.0	135.0	135.0	135.0
36"		135.0	135.0	135.0	135.0	135.0	135.0
42"		135.0	135.0	135.0	135.0	135.0	135.0
48"		135.0	125.4	135.0	135.0	135.0	135.0
54"		135.0	115.1	135.0	135.0	135.0	135.0
60"		133.3	107.0	133.3	135.0	135.0	135.0
66"		125.4	100.7	125.4	131.0	135.0	135.0
72"		119.0	95.6	119.0	124.3	135.0	135.0

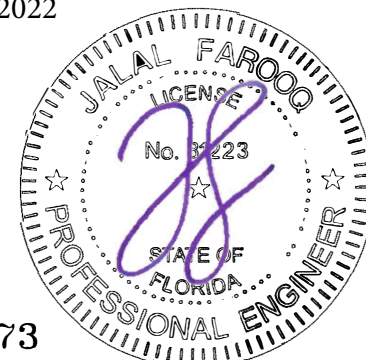
JAMB ANCHOR LOAD CAPACITY - PSF EXT.(+) & INT.(-)							
NOMINAL DIMS.		ANCHORS 'AW', 'AC'		ANCHORS TYPES 'CM'		ANCHORS TYPES 'BW' & 'BC'	
WIDTH (W)	FRAME HEIGHT	1/4" SHIMS	3/8" SHIMS	1/4" SHIMS	3/8" SHIMS	1/4" SHIMS	3/8" SHIMS
30"	126"	135.0	135.0	135.0	135.0	135.0	135.0
36"		135.0	135.0	135.0	135.0	135.0	135.0
42"		135.0	135.0	135.0	135.0	135.0	135.0
48"		135.0	129.9	135.0	135.0	135.0	135.0
54"		135.0	118.9	135.0	135.0	135.0	135.0
60"		135.0	110.4	135.0	135.0	135.0	135.0
66"		129.0	103.6	129.0	134.8	135.0	135.0
72"		122.2	98.1	122.2	127.6	135.0	135.0
30"	132"	135.0	135.0	135.0	135.0	135.0	135.0
36"		135.0	135.0	135.0	135.0	135.0	135.0
42"		135.0	135.0	135.0	135.0	135.0	135.0
48"		135.0	122.7	135.0	135.0	135.0	135.0
54"		135.0	112.1	135.0	135.0	135.0	135.0
60"		129.4	103.9	129.4	135.0	135.0	135.0
66"		121.2	97.3	121.2	126.6	135.0	135.0
72"		114.6	92.0	114.6	119.7	135.0	135.0
30"	138"	135.0	135.0	135.0	135.0	135.0	135.0
36"		135.0	135.0	135.0	135.0	135.0	135.0
42"		135.0	135.0	135.0	135.0	135.0	135.0
48"		135.0	126.8	135.0	135.0	135.0	135.0
54"		135.0	115.7	135.0	135.0	135.0	135.0
60"		133.3	107.0	133.3	135.0	135.0	135.0
66"		124.7	100.1	124.7	130.2	135.0	135.0
72"		117.6	94.4	117.6	122.9	135.0	135.0
30"	144"	135.0	135.0	135.0	135.0	135.0	135.0
36"		135.0	135.0	135.0	135.0	135.0	135.0
42"		135.0	134.3	135.0	135.0	135.0	135.0
48"		135.0	120.4	135.0	135.0	135.0	135.0
54"		135.0	109.8	135.0	135.0	135.0	135.0
60"		126.3	101.4	126.3	131.9	135.0	135.0
66"		117.9	94.7	117.9	123.2	135.0	135.0
72"		111.1	89.2	111.1	116.0	135.0	135.0

INTERPOLATION BETWEEN WIDTHS OR HEIGHTS ALLOWED.



SEE SHEET 12 FOR ANCHOR TYPES.

Sealed: 4/27/2022



JAMB ANCHORS

FL #19973

AL-FAROOQ CORPORATION
 ENGINEERS & PRODUCT DEVELOPMENT
 9360 SUNSET DRIVE, SUITE 220
 MIAMI, FLORIDA 33173 (C.A.N. 3538)
 TEL. (305) 262-6978 FAX. (305) 262-6978
 COMP-ANL/21-51FAGP

SERIES FRONT SET ALUM WINDO WALL SYS. (L.M.I.)
Aldora Aluminum & Glass Products Inc.
 4250 Coral Ridge Drive, Suite 101
 Coral Springs, FL. 33065
 Tel. (954) 784-6900 Fax. (954) 784-6901

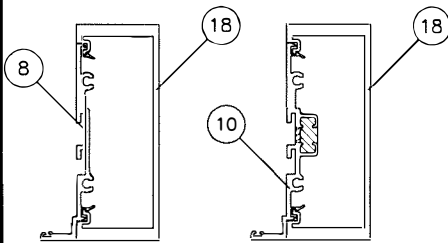
revisions:	no	date	by	description

date: 06-10-21
 scale: -
 dr. by: TARIQ
 chk. by:

drawing no.
21-51F
 sheet 15 of 27

STD. DOOR MULLION LOAD CAPACITY		
NOMINAL DIMS.		W/O REINF.
WIDTH (W)	FRAME HEIGHT	EXT.(+) & INT.(-)
30"	84"	90.0
36"		90.0
42"		90.0
48"		90.0
54"		90.0
60"	90.0	100.0
30"	96"	90.0
36"		90.0
42"		90.0
48"		85.9
54"		76.4
60"	68.7	100.0
30"	97-3/4"	90.0
36"		90.0
42"		90.0
48"		82.7
54"		73.5
58"		68.4

INTERPOLATION BETWEEN WIDTHS OR HEIGHTS ALLOWED.

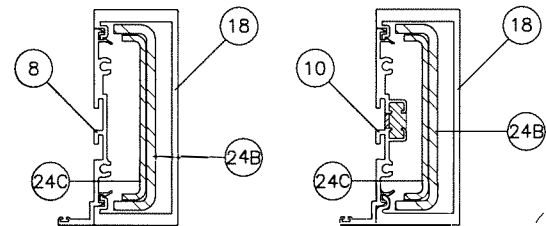


STD. DOOR MULLION W/O REINF.
(LEVEL 'D' IMPACT)

Ix IN ⁴	Sx IN ³
6.063	2.695

STD. DOOR MULLION LOAD CAPACITY		
NOMINAL DIMS.		WITH REINF.
WIDTH (W)	FRAME HEIGHT	EXT.(+) & INT.(-)
30"	84"	100.0
36"		100.0
42"		100.0
48"		100.0
54"		100.0
60"	100.0	100.0
30"	96"	100.0
36"		100.0
42"		100.0
48"		100.0
54"		100.0
60"	100.0	100.0
30"	102"	100.0
36"		100.0
42"		100.0
48"		100.0
54"		100.0
60"		91.6
30"	108"	100.0
36"		100.0
42"		100.0
48"		100.0
54"		90.8
60"	81.7	100.0
30"	114"	100.0
36"		100.0
42"		100.0
48"		91.7
54"		81.5
58"		75.9
30"	120"	100.0
36"		100.0
42"		94.6
48"		82.7
54"		73.6

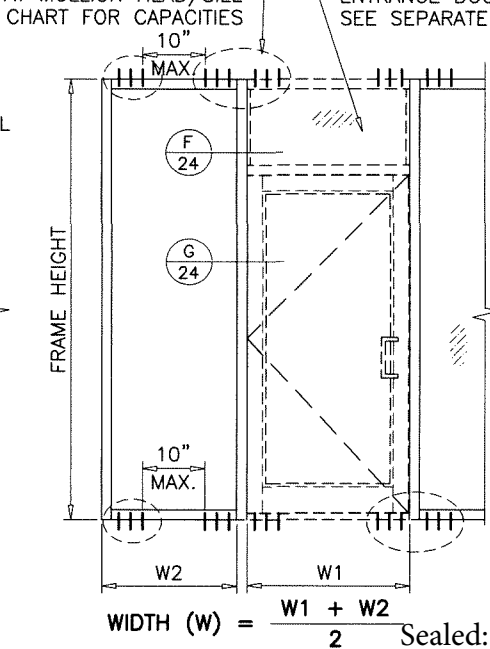
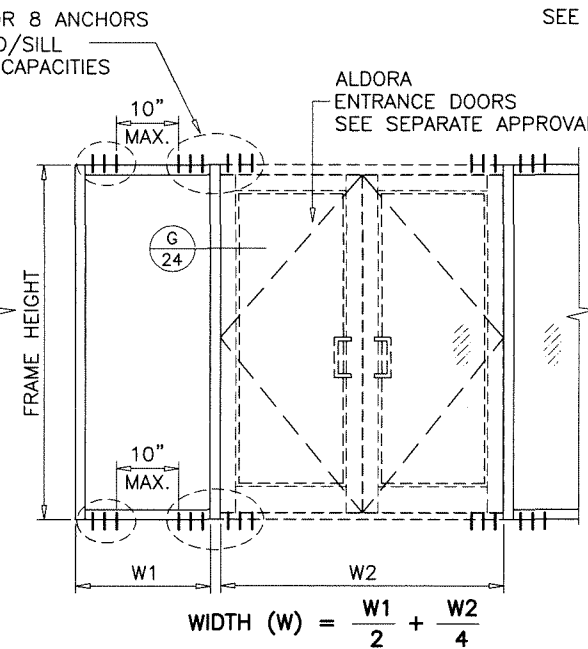
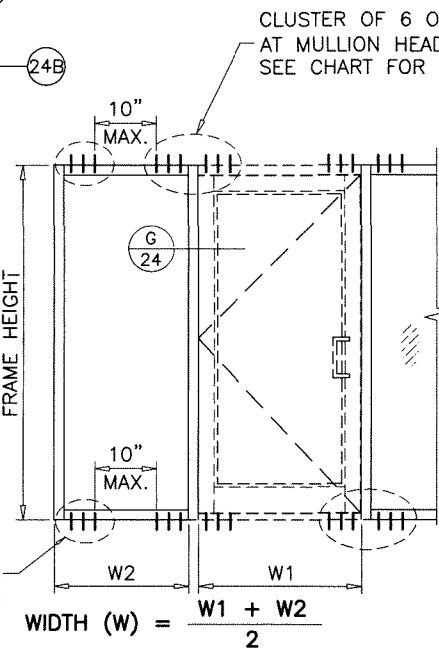
INTERPOLATION BETWEEN WIDTHS OR HEIGHTS ALLOWED.



STD. DOOR MULLION WITH REINF.
(LEVEL 'D' & 'E' IMPACT)

	Ix IN ⁴	Sx IN ³
ALUMINUM	6.063	2.695
STEEL	2.343	1.209
TOTAL Ix ALUM + Ix STL X 2.9	12.790	

SEE SHEET 1 FOR JAMB ANCHORS



DOOR MULLION ANCHORS LOAD CAPACITY - PSF								
NOMINAL DIMS.		6 ANCHORS AT MULLION ENDS				8 ANCHORS AT MULLION ENDS		
		1/4" MAX. SHIMS		3/8" SHIMS		1/4" MAX. SHIMS		3/8" SHIMS
		ANCHOR TYPES 'AW' & 'AC'	ANCHOR TYPES 'CM'	ANCHOR TYPES 'BW' & 'BC'	ANCHOR TYPES 'BW' & 'BC'	ANCHOR TYPES 'AW' & 'AC'	ANCHOR TYPES 'BW' & 'BC'	ANCHOR TYPES 'BW' & 'BC'
WIDTH (W)	FRAME HEIGHT	EXT. (+) INT. (-)	EXT. (+) INT. (-)	EXT. (+) INT. (-)	EXT. (+) INT. (-)	EXT. (+) INT. (-)	EXT. (+) INT. (-)	EXT. (+) INT. (-)
30"	84"	100.0	100.0	100.0	100.0	100.0	100.0	100.0
		100.0	100.0	100.0	100.0	100.0	100.0	100.0
		100.0	100.0	100.0	100.0	100.0	100.0	100.0
		99.0	100.0	100.0	99.4	100.0	100.0	100.0
		89.1	100.0	100.0	89.5	100.0	100.0	100.0
30"	96"	100.0	100.0	100.0	100.0	100.0	100.0	100.0
		100.0	100.0	100.0	100.0	100.0	100.0	100.0
		100.0	100.0	100.0	100.0	100.0	100.0	100.0
		97.5	100.0	100.0	97.9	100.0	100.0	100.0
		86.7	100.0	100.0	87.0	100.0	100.0	100.0
30"	102"	100.0	100.0	100.0	100.0	100.0	100.0	100.0
		100.0	100.0	100.0	100.0	100.0	100.0	100.0
		100.0	100.0	100.0	100.0	100.0	100.0	100.0
		91.8	100.0	100.0	92.1	100.0	100.0	100.0
		81.6	100.0	100.0	81.9	100.0	100.0	100.0
30"	108"	100.0	100.0	100.0	100.0	100.0	100.0	100.0
		100.0	100.0	100.0	100.0	100.0	100.0	100.0
		99.0	100.0	100.0	99.4	100.0	100.0	100.0
		86.7	100.0	100.0	87.0	100.0	100.0	100.0
		77.0	100.0	100.0	77.3	100.0	100.0	100.0
30"	114"	100.0	100.0	100.0	100.0	100.0	100.0	100.0
		100.0	100.0	100.0	100.0	100.0	100.0	100.0
		93.8	100.0	100.0	94.2	100.0	100.0	100.0
		82.1	100.0	100.0	82.4	100.0	100.0	100.0
		73.0	100.0	96.0	73.3	97.3	100.0	97.7
30"	120"	100.0	100.0	100.0	100.0	100.0	100.0	100.0
		100.0	100.0	100.0	100.0	100.0	100.0	100.0
		89.1	100.0	100.0	89.5	100.0	100.0	100.0
		78.0	100.0	100.0	78.3	100.0	100.0	100.0
		69.3	100.0	91.2	69.6	92.4	100.0	92.8
36"	84"	100.0	100.0	100.0	100.0	100.0	100.0	100.0
		100.0	100.0	100.0	100.0	100.0	100.0	100.0
		100.0	100.0	100.0	100.0	100.0	100.0	100.0
		99.0	100.0	100.0	99.4	100.0	100.0	100.0
		89.1	100.0	100.0	89.5	100.0	100.0	100.0
36"	96"	100.0	100.0	100.0	100.0	100.0	100.0	100.0
		100.0	100.0	100.0	100.0	100.0	100.0	100.0
		100.0	100.0	100.0	100.0	100.0	100.0	100.0
		97.5	100.0	100.0	97.9	100.0	100.0	100.0
		86.7	100.0	100.0	87.0	100.0	100.0	100.0
36"	102"	100.0	100.0	100.0	100.0	100.0	100.0	100.0
		100.0	100.0	100.0	100.0	100.0	100.0	100.0
		100.0	100.0	100.0	100.0	100.0	100.0	100.0
		91.8	100.0	100.0	92.1	100.0	100.0	100.0
		81.6	100.0	100.0	81.9	100.0	100.0	100.0
36"	108"	100.0	100.0	100.0	100.0	100.0	100.0	100.0
		100.0	100.0	100.0	100.0	100.0	100.0	100.0
		99.0	100.0	100.0	99.4	100.0	100.0	100.0
		86.7	100.0	100.0	87.0	100.0	100.0	100.0
		77.0	100.0	100.0	77.3	100.0	100.0	100.0
36"	114"	100.0	100.0	100.0	100.0	100.0	100.0	100.0
		100.0	100.0	100.0	100.0	100.0	100.0	100.0
		93.8	100.0	100.0	94.2	100.0	100.0	100.0
		82.1	100.0	100.0	82.4	100.0	100.0	100.0
		73.0	100.0	96.0	73.3	97.3	100.0	97.7
36"	120"	100.0	100.0	100.0	100.0	100.0	100.0	100.0
		100.0	100.0	100.0	100.0	100.0	100.0	100.0
		89.1	100.0	100.0	89.5	100.0	100.0	100.0
		78.0	100.0	100.0	78.3	100.0	100.0	100.0
		69.3	100.0	91.2	69.6	92.4	100.0	92.8

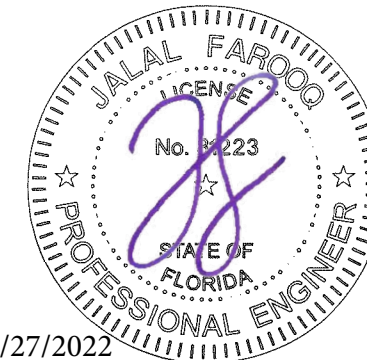
INTERPOLATION BETWEEN WIDTHS OR HEIGHTS ALLOWED.

CLUSTER OF 6 OR 8 ANCHORS AT MULLION HEAD/SILL SEE CHART FOR CAPACITIES

ALDORA ENTRANCE DOORS SEE SEPARATE APPROVAL

DOOR MULLION

FL #19973



Sealed: 4/27/2022

AL-FAROOQ CORPORATION
ENGINEERS & PRODUCT DEVELOPMENT
9360 SUNSET DRIVE, SUITE 220
MIAMI, FLORIDA 33173
TEL. (305) 264-8100 FAX. (305) 262-6978
C.A.N. 3538

SERIES FRONT SET ALUM WINDOWALL SYS. (L.M.I.)
Aldora Aluminum & Glass Products Inc.
4250 Coral Ridge Drive, Suite 101
Coral Springs, FL 33065
Tel. (954) 784-6900 Fax. (954) 784-6901

revisions:	no	date	by	description

date:	06-10-21
scale:	-
dr. by:	TARIQ
chk. by:	

drawing no.
21-51F

sheet 16 of 27

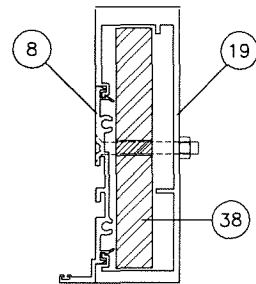
COMP-ANL V21-51FAGP

H.D. DOOR MULLION LOAD CAPACITY		
NOMINAL DIMS.		WITH REINF.
WIDTH (W)	FRAME HEIGHT	EXT.(+) & INT.(-)
30"	126"	100.0
36"		100.0
42"		100.0
48"		100.0
54"		100.0
60"	100.0	100.0
30"	132"	100.0
36"		100.0
42"		100.0
48"		100.0
54"		100.0
60"	100.0	100.0
30"	138"	100.0
36"		100.0
42"		100.0
48"		100.0
54"		100.0
57"	100.0	100.0
30"	144"	100.0
36"		100.0
42"		100.0
48"		100.0
54"		100.0

INTERPOLATION BETWEEN WIDTHS OR HEIGHTS ALLOWED.

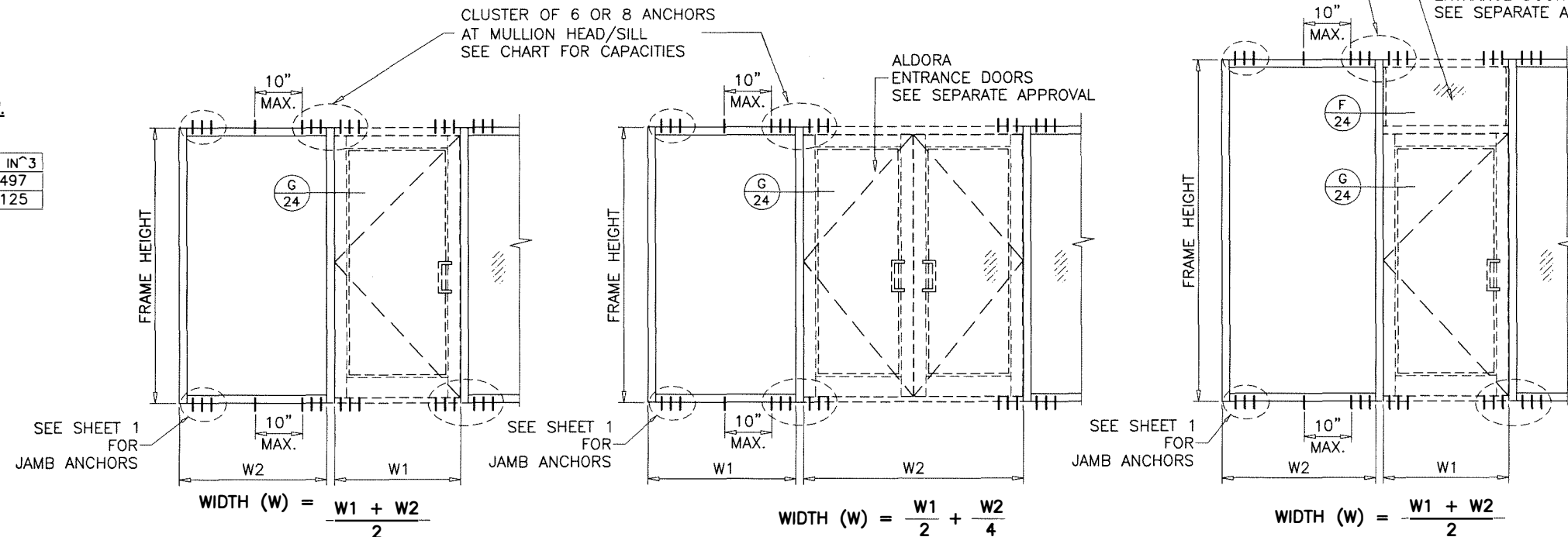
DOOR MULLION ANCHORS LOAD CAPACITY - PSF								
NOMINAL DIMS.		6 ANCHORS AT MULLION ENDS				8 ANCHORS AT MULLION ENDS		
		1/4" MAX. SHIMS		3/8" SHIMS		1/4" MAX. SHIMS		3/8" SHIMS
		ANCHOR TYPES 'AW' & 'AC'	ANCHOR TYPES 'CM'	ANCHOR TYPES 'BW' & 'BC'	ANCHOR TYPES 'BW' & 'BC'	ANCHOR TYPES 'AW' & 'AC'	ANCHOR TYPES 'BW' & 'BC'	ANCHOR TYPES 'BW' & 'BC'
WIDTH (W)	FRAME HEIGHT	EXT. (+) INT. (-)	EXT. (+) INT. (-)	EXT. (+) INT. (-)	EXT. (+) INT. (-)	EXT. (+) INT. (-)	EXT. (+) INT. (-)	EXT. (+) INT. (-)
30"	126"	100.0	100.0	100.0	100.0	100.0	100.0	100.0
36"		99.0	100.0	100.0	99.4	100.0	100.0	100.0
42"		84.9	100.0	100.0	85.2	100.0	100.0	100.0
48"		74.3	100.0	97.7	74.6	99.0	100.0	99.4
54"		66.0	97.3	86.9	66.3	88.0	100.0	88.4
60"	59.4	87.5	78.2	59.7	79.2	100.0	79.5	
30"	132"	100.0	100.0	100.0	100.0	100.0	100.0	100.0
36"		94.5	100.0	100.0	94.9	100.0	100.0	100.0
42"		81.0	100.0	100.0	81.4	100.0	100.0	100.0
48"		70.9	100.0	93.3	71.2	94.5	100.0	94.9
54"		63.0	92.8	82.9	63.3	84.0	100.0	84.4
60"	56.7	83.6	74.6	56.9	75.6	99.5	75.9	
30"	138"	100.0	100.0	100.0	100.0	100.0	100.0	100.0
36"		90.4	100.0	100.0	90.8	100.0	100.0	100.0
42"		77.5	100.0	100.0	77.8	100.0	100.0	100.0
48"		67.8	99.9	89.2	68.1	90.4	100.0	90.8
54"		60.3	88.8	79.3	60.5	80.4	100.0	80.7
57"	57.1	84.1	75.1	57.3	76.2	100.0	76.4	
30"	144"	100.0	100.0	100.0	100.0	100.0	100.0	100.0
36"		86.7	100.0	100.0	87.0	100.0	100.0	100.0
42"		74.3	100.0	97.7	74.6	99.0	100.0	99.4
48"		65.0	95.8	85.5	65.3	86.7	100.0	87.0
54"		57.8	85.1	76.0	58.0	77.0	100.0	77.3

INTERPOLATION BETWEEN WIDTHS OR HEIGHTS ALLOWED.



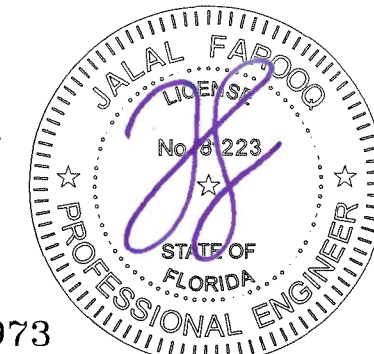
H.D. DOOR MULLION WITH REINF.
(LEVEL 'D' & 'E' IMPACT)

	Ix IN ⁴	Sx IN ³
ALUMINUM	11.342	3.497
STEEL	7.8125	3.125
TOTAL Ix ALUM + Ix STL X 2.9	33.7739	



DOOR MULLION

FL #19973



SERIES FRONT SET ALUM WINDOWALL SYS. (L.M.I.)

Aldora Aluminum & Glass Products Inc.
4250 Coral Ridge Drive, Suite 101
Coral Springs, FL 33065
Tel. (954) 784-6900 Fax. (954) 784-6901

no	date	by	description

date: 06-10-21
scale: -
dr. by: TARIQ
chk. by:
drawing no.
21-51F
sheet 17 of 27

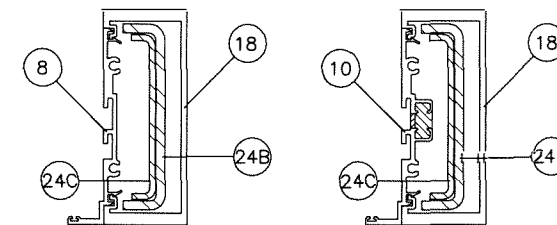
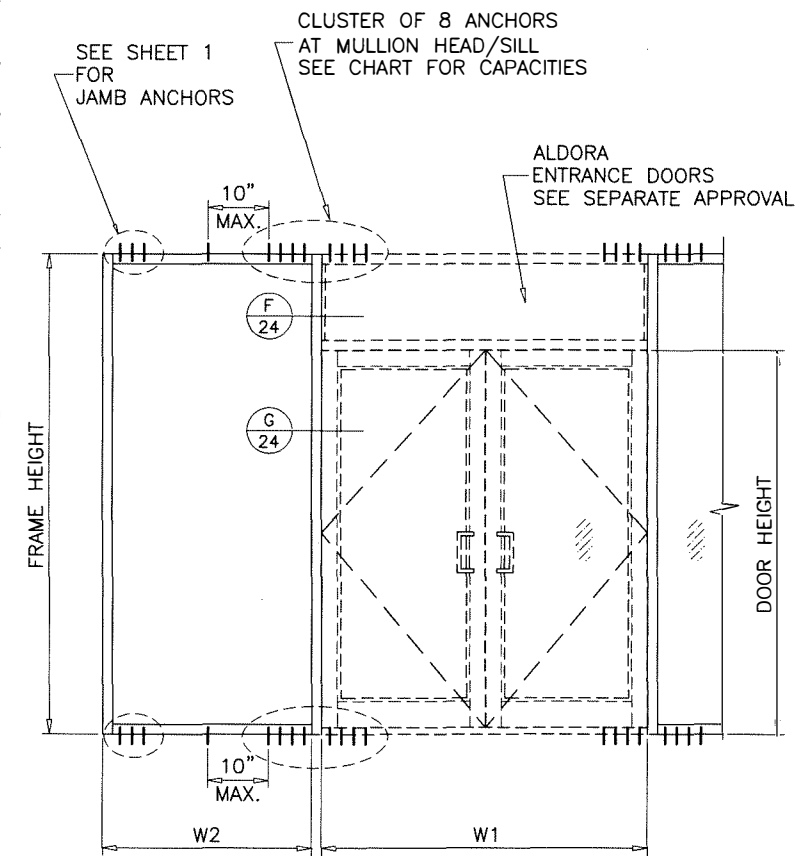
af c
AL-FAROOQ CORPORATION
ENGINEERS & PRODUCT DEVELOPMENT
9360 SUNSET DRIVE, SUITE 220
MIAMI, FLORIDA 33173 (C.A.N. 5538)
TEL. (305) 264-8100 FAX. (305) 262-6978
COMP-ANL 21-51FAGP

STD. DOOR MULLION LOAD CAPACITY - PSF				
NOMINAL DIMS.				WITH REINF.
FRAME HEIGHT INCHES	DOOR HEIGHT INCHES	WIDTH (W1) INCHES	WIDTH (W2) INCHES	EXT. (+) INT. (-)
108	84	84	30	97.1
			36	91.6
			42	86.8
			48	82.4
			54	78.4
			60	74.8
	98-7/16	84	30	86.6
			36	82.2
			42	78.3
			48	74.7
			54	71.5
			60	68.5
120	84	84	30	74.0
			36	70.1
			42	66.6
			48	63.4
			54	60.5
			60	57.9
	98-7/16	84	30	65.9
			36	62.8
			42	59.9
			48	57.3
			54	55.0
			60	52.8
108	96	84	30	100.0
			36	100.0
			42	97.5
			48	92.0
			54	87.1
			60	82.7
	98-7/16	84	30	99.4
			36	93.7
			42	88.6
			48	84.1
			54	80.0
			60	76.2
120	96	84	30	80.3
			36	75.7
			42	71.6
			48	68.0
			54	64.6
			60	61.6
	98-7/16	84	30	71.7
			36	68.1
			42	64.7
			48	61.7
			54	59.0
			60	56.5

INTERPOLATION BETWEEN WIDTHS OR HEIGHTS ALLOWED.

DOOR MULLION ANCHORS LOAD CAPACITY - PSF										
NOMINAL DIMS.				1/4" MAX. SHIMS			3/8" MAX. SHIMS			
				ANCHOR TYPES 'AW' & 'AC'	ANCHOR TYPES 'CM'	ANCHOR TYPES 'BW' & 'BC'	ANCHOR TYPES 'BW' & 'BC'	ANCHOR TYPES 'CM'	ANCHOR TYPES 'BW' & 'BC'	
FRAME HEIGHT INCHES	DOOR HEIGHT INCHES	WIDTH (W1) INCHES	WIDTH (W2) INCHES	EXT. (+) INT. (-)	EXT. (+) INT. (-)	EXT. (+) INT. (-)	EXT. (+) INT. (-)	EXT. (+) INT. (-)	EXT. (+) INT. (-)	EXT. (+) INT. (-)
108	84	84	30	100.0	100.0	100.0	81.8	75.9	100.0	
			36	100.0	100.0	100.0	77.4	71.8	100.0	
			42	95.1	100.0	100.0	73.4	68.1	95.5	
			48	90.4	100.0	100.0	69.8	64.8	90.8	
			54	86.2	100.0	100.0	66.6	61.8	86.5	
			60	82.4	100.0	100.0	63.6	59.0	82.7	
	98-7/16	84	30	94.4	100.0	100.0	72.9	67.6	94.8	
			36	89.8	100.0	100.0	69.4	64.3	90.2	
			42	85.7	100.0	100.0	66.1	61.4	86.0	
			48	81.9	100.0	100.0	63.2	58.6	82.2	
			54	78.4	100.0	100.0	60.5	56.2	78.7	
			60	75.2	100.0	98.9	58.1	53.9	75.5	
120	84	84	30	98.5	100.0	100.0	76.0	70.5	98.8	
			36	93.0	100.0	100.0	71.8	66.6	93.3	
			42	88.0	100.0	100.0	68.0	63.1	88.4	
			48	83.6	100.0	100.0	64.6	59.9	83.9	
			54	79.6	100.0	100.0	61.5	57.0	79.9	
			60	76.0	100.0	99.9	58.7	54.4	76.3	
	98-7/16	84	30	87.8	100.0	100.0	67.8	62.9	88.2	
			36	83.4	100.0	100.0	64.4	59.8	83.7	
			42	79.4	100.0	100.0	61.3	56.9	79.8	
			48	75.8	100.0	99.7	58.5	54.3	76.1	
			54	72.5	100.0	95.4	56.0	51.9	72.8	
			60	69.5	100.0	91.4	53.7	49.8	69.8	
108	96	84	30	100.0	100.0	100.0	78.3	72.7	100.0	
			36	96.2	100.0	100.0	74.3	68.9	96.6	
			42	91.4	100.0	100.0	70.6	65.5	91.8	
			48	87.1	100.0	100.0	67.3	62.4	87.5	
			54	83.2	100.0	100.0	64.2	59.6	83.5	
			60	79.6	100.0	100.0	61.5	57.0	79.9	
	98-7/16	84	30	90.2	100.0	100.0	69.7	64.6	90.6	
			36	86.0	100.0	100.0	66.4	61.6	86.3	
			42	82.2	100.0	100.0	63.5	58.9	82.5	
			48	78.7	100.0	100.0	60.8	56.4	79.0	
			54	75.5	100.0	99.3	58.3	54.1	75.8	
			60	72.5	100.0	95.4	56.0	51.9	72.8	
120	96	84	30	94.5	100.0	100.0	73.0	67.7	94.9	
			36	89.5	100.0	100.0	69.1	64.1	89.8	
			42	84.9	100.0	100.0	65.6	60.8	85.2	
			48	80.8	100.0	100.0	62.4	57.9	81.1	
			54	77.0	100.0	100.0	59.5	55.2	77.3	
			60	73.6	100.0	96.8	56.8	52.7	73.9	
	98-7/16	84	30	84.2	100.0	100.0	65.0	60.3	84.5	
			36	80.1	100.0	100.0	61.9	57.4	80.4	
			42	76.5	100.0	100.0	59.0	54.8	76.7	
			48	73.1	100.0	96.1	56.4	52.4	73.4	
			54	70.0	100.0	92.1	54.1	50.2	70.3	
			60	67.2	99.0	88.4	51.9	48.1	67.4	

INTERPOLATION BETWEEN WIDTHS OR HEIGHTS ALLOWED.



STD. DOOR MULLION WITH REINF.
(LEVEL 'D' & 'E' IMPACT)

	Ix IN ⁴	Sx IN ³
ALUMINUM	6.063	2.695
STEEL	2.343	1.209
TOTAL Ix ALUM + Ix STL X 2.9	12.790	

Sealed: 4/27/2022



DOOR MULLION

FL #19973

af c
AL-FAROOQ CORPORATION
 ENGINEERS & PRODUCT DEVELOPMENT
 9360 SUNSET DRIVE, SUITE 220 (C.A.N. 3638)
 MIAMI, FLORIDA 33173 TEL. (305) 262-6978
 TEL. (305) 264-8100 FAX. (305) 262-6978
 COMP-ANL\21-51FAGP

SERIES FRONT SET ALUM WINDOW WALL SYS. (L.M.I.)
Aldora Aluminum & Glass Products Inc.
 4250 Coral Ridge Drive, Suite 101
 Coral Springs, FL 33065
 Tel. (954) 784-6900 Fax. (954) 784-6901

no	date	description

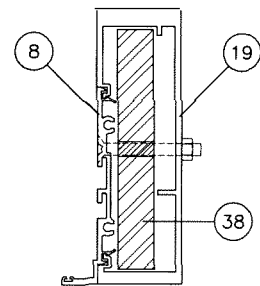
date: 06-10-21	scale: -	dr. by: TARIQ	chk. by:
----------------	----------	---------------	----------

drawing no.
21-51F
 sheet 18 of 27

H.D. DOOR MULLION LOAD CAPACITY - PSF					
NOMINAL DIMS.				WITH REINF.	
FRAME HEIGHT INCHES	DOOR HEIGHT INCHES	WIDTH (W1) INCHES	WIDTH (W2) INCHES	EXT. (+) INT. (-)	
144	84	84	30	100.0	
			36	95.0	
			42	90.5	
			48	86.3	
			54	82.5	
			60	79.1	
		92	30	93.5	
			36	89.1	
			42	85.1	
			48	81.4	
			54	78.0	
			60	74.9	
		98-7/16	30	88.9	
			36	84.9	
			42	81.2	
			48	77.8	
			54	74.7	
			60	71.9	
	96	84	84	30	100.0
				36	97.9
				42	93.1
				48	88.7
				54	84.7
				60	81.0
		92	30	96.6	
			36	91.9	
			42	87.6	
			48	83.7	
			54	80.1	
			60	76.9	
		98-7/16	30	91.8	
			36	87.6	
			42	83.7	
			48	80.1	
			54	76.8	
			60	73.8	
108	84	84	30	100.0	
			36	100.0	
			42	97.8	
			48	92.9	
			54	88.6	
			60	84.6	
	92	30	100.0		
		36	96.9		
		42	92.2		
		48	87.9		
		54	84.0		
		60	80.4		
	98-7/16	30	97.2		
		36	92.5		
		42	88.1		
		48	84.2		
		54	80.6		
		60	77.3		

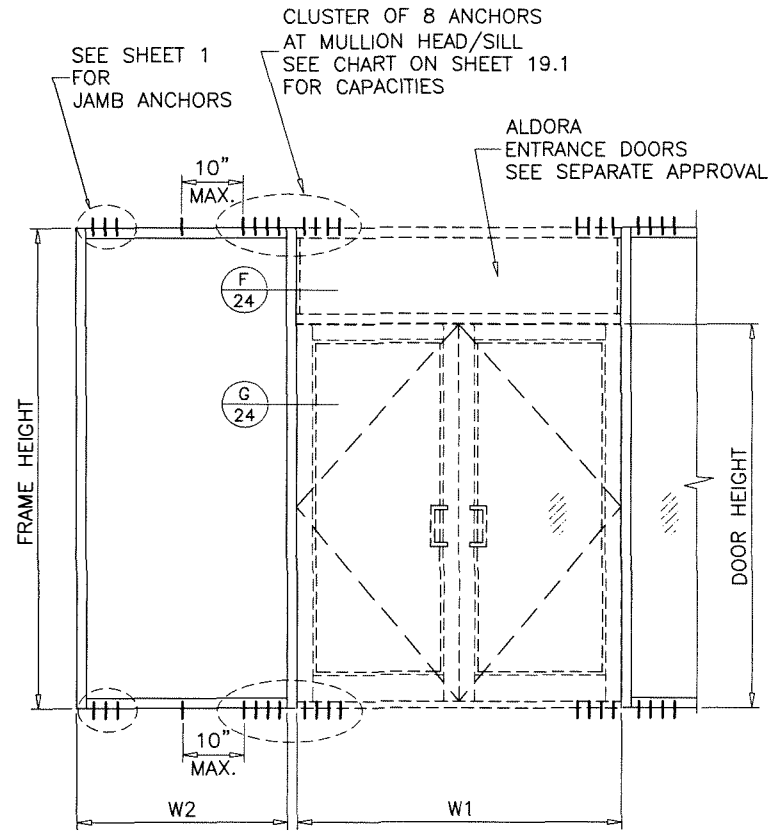
H.D. DOOR MULLION LOAD CAPACITY - PSF				
NOMINAL DIMS.				WITH REINF.
FRAME HEIGHT INCHES	DOOR HEIGHT INCHES	WIDTH (W1) INCHES	WIDTH (W2) INCHES	EXT. (+) INT. (-)
144	118-1/4	84	30	100.0
			36	100.0
			42	100.0
			48	98.5
			54	93.6
			60	89.1
		92	30	100.0
			36	100.0
			42	98.2
			48	93.3
			54	88.9
			60	84.9
		98-7/16	30	100.0
			36	98.9
			42	94.0
			48	89.5
			54	85.5
			60	81.8

INTERPOLATION BETWEEN WIDTHS OR HEIGHTS ALLOWED.



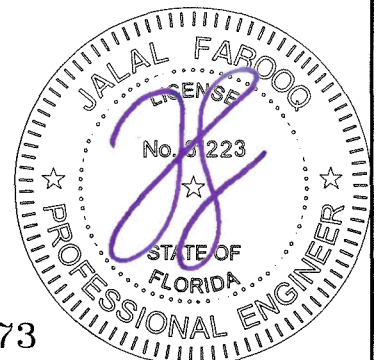
H.D. DOOR MULLION WITH REINF.
(LEVEL 'D' & 'E' IMPACT)

	Ix IN ⁴	Sx IN ³
ALUMINUM	11.342	3.497
STEEL	7.8125	3.125
TOTAL Ix ALUM + Ix STL X 2.9	33.7739	



DOOR MULLION

Sealed: 4/27/2022



FL #19973

afc
AL-FAROOQ CORPORATION
 ENGINEERS & PRODUCT DEVELOPMENT
 9360 SUNSET DRIVE, SUITE 220
 MIAMI, FLORIDA 33173 (C.A.N. 3538)
 TEL. (305) 264-8100 FAX. (305) 262-6978
 COMP-ANL\21-51FAGP

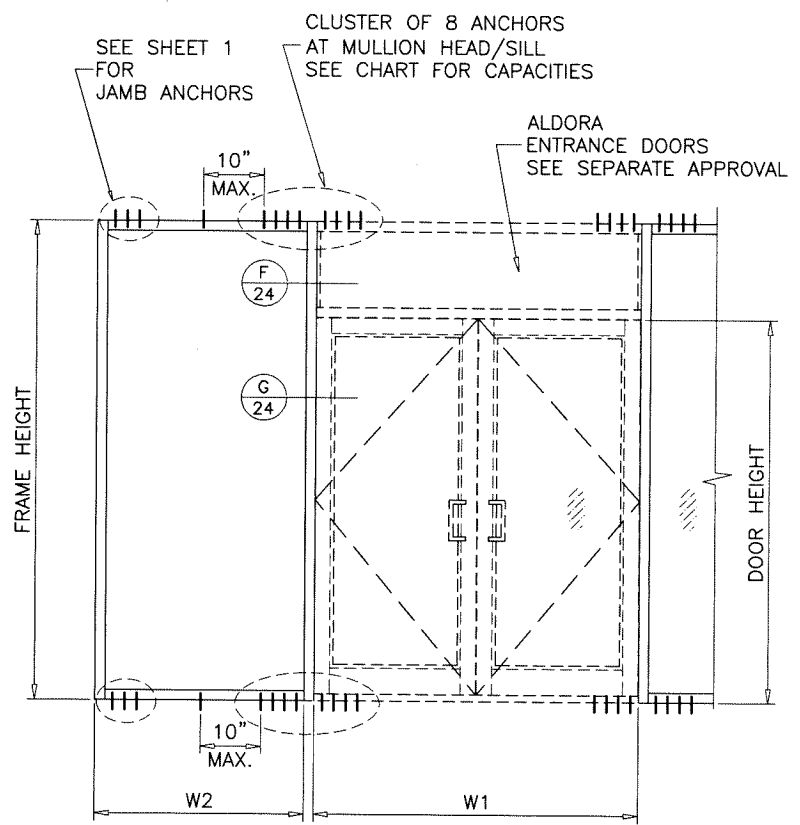
SERIES FRONT SET ALUM WINDOWALL SYS. (L.M.I.)
Aldora Aluminum & Glass Products Inc.
 4250 Coral Ridge Drive, Suite 101
 Coral Springs, FL 33065
 Tel. (954) 784-6900 Fax. (954) 784-6901

revs pns:	no	date	by	description
date:	06-10-21	scale:	-	dr. by: TARIQ
				chk. by:
drawing no.				
21-51F				
sheet 19 of 27				

DOOR MULLION ANCHORS LOAD CAPACITY - PSF									
NOMINAL DIMS.				1/4" MAX. SHIMS			3/8" MAX. SHIMS		
				ANCHOR TYPES 'AW' & 'AC'	ANCHOR TYPES 'CM'	ANCHOR TYPES 'BW' & 'BC'	ANCHOR TYPES 'BW' & 'BC'	ANCHOR TYPES 'CM'	ANCHOR TYPES 'BW' & 'BC'
FRAME HEIGHT INCHES	DOOR HEIGHT INCHES	WIDTH (W1) INCHES	WIDTH (W2) INCHES	EXT. (+) INT. (-)	EXT. (+) INT. (-)	EXT. (+) INT. (-)	EXT. (+) INT. (-)	EXT. (+) INT. (-)	EXT. (+) INT. (-)
144	84	84	30	86.2	100.0	100.0	66.6	61.8	86.5
			36	81.2	100.0	100.0	62.7	58.1	81.5
			42	76.7	100.0	100.0	59.2	54.9	77.0
			48	72.7	100.0	95.6	56.1	52.1	72.9
			54	69.0	100.0	90.8	53.3	49.5	69.3
			60	65.8	96.9	86.5	50.8	47.1	66.0
		92	30	80.9	100.0	100.0	62.5	58.0	81.2
			36	76.4	100.0	100.0	59.0	54.8	76.7
			42	72.5	100.0	95.3	55.9	51.9	72.7
			48	68.9	100.0	90.6	53.2	49.3	69.1
			54	65.6	96.6	86.3	50.6	47.0	65.9
			60	62.6	92.3	82.4	48.4	44.9	62.9
		98-7/16	30	77.1	100.0	100.0	59.5	55.2	77.4
			36	73.0	100.0	96.1	56.4	52.3	73.3
			42	69.4	100.0	91.3	53.6	49.7	69.6
			48	66.1	97.3	86.9	51.0	47.3	66.3
			54	63.1	92.9	83.0	48.7	45.2	63.3
			60	60.3	88.9	79.3	46.6	43.2	60.6
	96	84	30	83.2	100.0	100.0	64.2	59.6	83.5
			36	78.5	100.0	100.0	60.6	56.2	78.8
			42	74.3	100.0	97.7	57.4	53.2	74.6
			48	70.5	100.0	92.7	54.4	50.5	70.8
			54	67.1	98.8	88.3	51.8	48.1	67.4
			60	64.0	94.3	84.2	49.4	45.8	64.2
		92	30	78.0	100.0	100.0	60.2	55.9	78.3
			36	73.8	100.0	97.1	57.0	52.9	74.1
			42	70.1	100.0	92.2	54.1	50.2	70.4
			48	66.7	98.3	87.8	51.5	47.8	67.0
			54	63.7	93.8	83.8	49.2	45.6	63.9
			60	60.9	89.7	80.1	47.0	43.6	61.1
		98-7/16	30	74.3	100.0	97.7	57.3	53.2	74.6
			36	70.5	100.0	92.7	54.4	50.5	70.8
			42	67.1	98.8	88.2	51.8	48.1	67.3
			48	64.0	94.3	84.2	49.4	45.8	64.2
			54	61.2	90.1	80.5	47.2	43.8	61.4
			60	58.6	86.3	77.1	45.2	42.0	58.8
	108	84	30	80.4	100.0	100.0	62.1	57.6	80.7
			36	76.0	100.0	99.9	58.7	54.4	76.3
			42	72.0	100.0	94.8	55.6	51.6	72.3
			48	68.5	100.0	90.1	52.9	49.1	68.7
			54	65.3	96.1	85.8	50.4	46.7	65.5
			60	62.3	91.8	82.0	48.1	44.6	62.6
		92	30	75.3	100.0	99.0	58.1	53.9	75.6
			36	71.4	100.0	93.9	55.1	51.2	71.7
			42	67.9	100.0	89.3	52.4	48.7	68.2
			48	64.7	95.4	85.2	50.0	46.4	65.0
			54	61.9	91.1	81.4	47.8	44.3	62.1
			60	59.2	87.2	77.9	45.7	42.4	59.4
98-7/16		30	71.6	100.0	94.2	55.3	51.3	71.9	
		36	68.1	100.0	89.6	52.6	48.8	68.4	
		42	64.9	95.7	85.4	50.1	46.5	65.2	
		48	62.0	91.4	81.6	47.9	44.4	62.3	
		54	59.4	87.5	78.1	45.8	42.5	59.6	
		60	56.9	83.9	74.9	44.0	40.8	57.2	

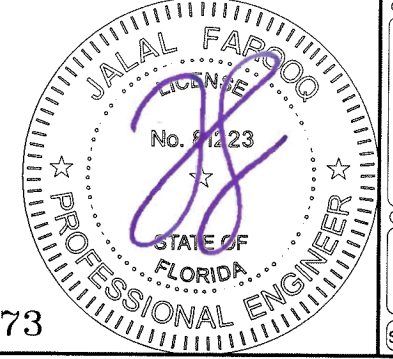
DOOR MULLION ANCHORS LOAD CAPACITY - PSF									
NOMINAL DIMS.				1/4" MAX. SHIMS			3/8" MAX. SHIMS		
				ANCHOR TYPES 'AW' & 'AC'	ANCHOR TYPES 'CM'	ANCHOR TYPES 'BW' & 'BC'	ANCHOR TYPES 'BW' & 'BC'	ANCHOR TYPES 'CM'	ANCHOR TYPES 'BW' & 'BC'
FRAME HEIGHT INCHES	DOOR HEIGHT INCHES	WIDTH (W1) INCHES	WIDTH (W2) INCHES	EXT. (+) INT. (-)	EXT. (+) INT. (-)	EXT. (+) INT. (-)	EXT. (+) INT. (-)	EXT. (+) INT. (-)	EXT. (+) INT. (-)
144	118-1/4	84	30	78.1	100.0	100.0	60.3	56.0	78.4
			36	74.0	100.0	97.3	57.1	53.0	74.2
			42	70.2	100.0	92.4	54.2	50.3	70.5
			48	66.8	98.5	87.9	51.6	47.9	67.1
			54	63.8	93.9	83.9	49.2	45.7	64.0
			60	61.0	89.8	80.2	47.1	43.7	61.2
		92	30	73.1	100.0	96.2	56.5	52.4	73.4
			36	69.5	100.0	91.4	53.6	49.8	69.7
			42	66.2	97.4	87.0	51.1	47.4	66.4
			48	63.1	93.0	83.1	48.8	45.2	63.4
			54	60.4	89.0	79.4	46.6	43.3	60.6
			60	57.9	85.2	76.1	44.7	41.5	58.1
	98-7/16	84	30	69.5	100.0	91.5	53.7	49.8	69.8
			36	66.2	97.6	87.1	51.1	47.4	66.5
			42	63.2	93.1	83.1	48.8	45.3	63.4
			48	60.4	89.0	79.5	46.7	43.3	60.7
			54	57.9	85.3	76.2	44.7	41.5	58.1
			60	55.6	81.9	73.1	42.9	39.8	55.8
		92	30	73.1	100.0	96.2	56.5	52.4	73.4
			36	69.5	100.0	91.4	53.6	49.8	69.7
			42	66.2	97.4	87.0	51.1	47.4	66.4
			48	63.1	93.0	83.1	48.8	45.2	63.4
			54	60.4	89.0	79.4	46.6	43.3	60.6
			60	57.9	85.2	76.1	44.7	41.5	58.1

INTERPOLATION BETWEEN WIDTHS OR HEIGHTS ALLOWED.



DOOR MULLION

Sealed: 4/27/2022



FL #19973

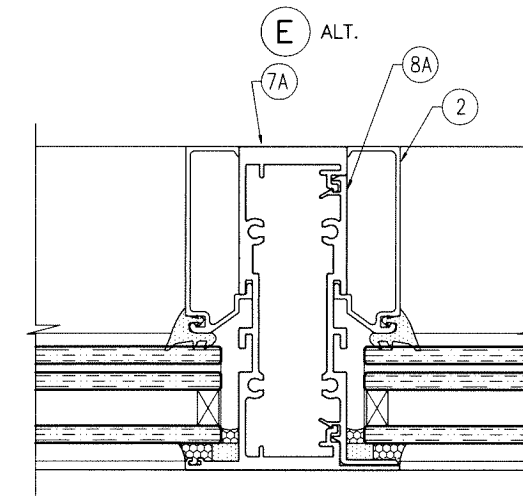
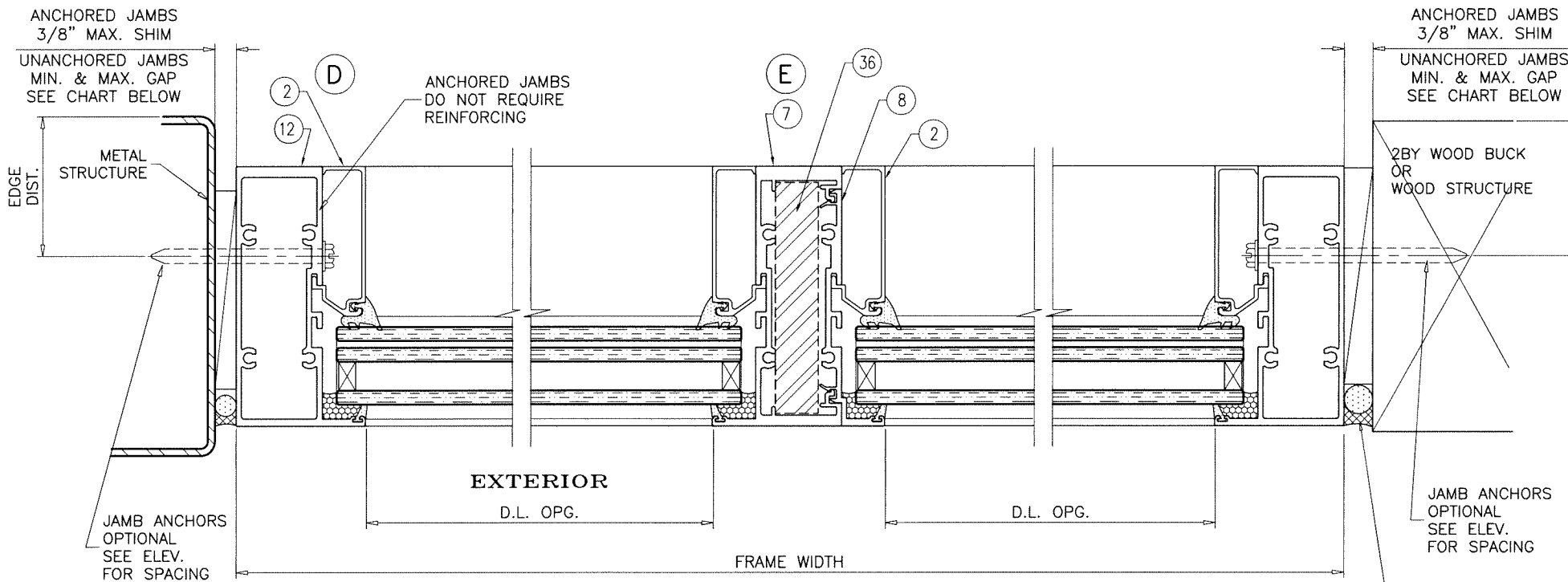
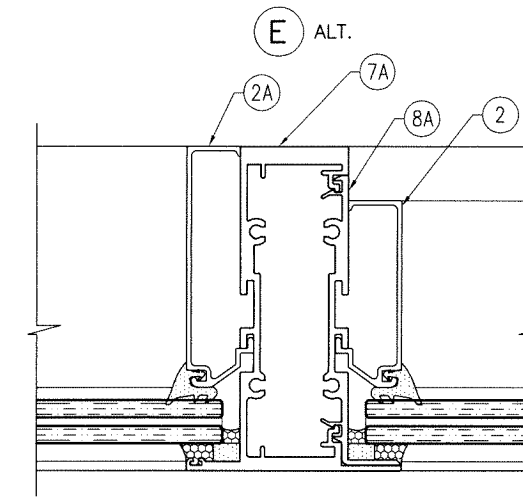
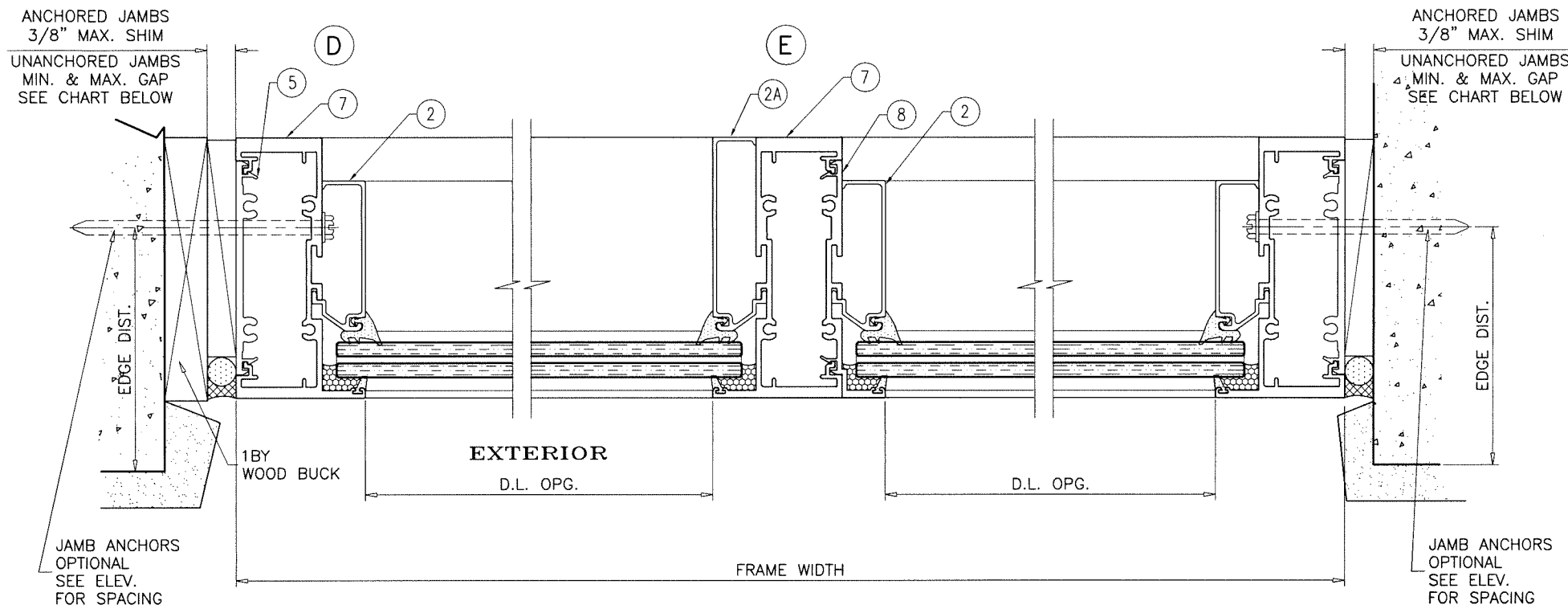
af c
AL-FAROOQ CORPORATION
 ENGINEERS & PRODUCT DEVELOPMENT
 9360 SUNSET DRIVE, SUITE 220 (C.A.N. 3538)
 MIAMI, FLORIDA 33173 TEL. (305) 262-6978 FAX. (305) 264-8100
 COMP-ANL\21-51FAGP

SERIES FRONT SET ALUM WINDOWALL SYS. (L.M.I.)
Aldora Aluminum & Glass Products Inc.
 4250 Coral Ridge Drive, Suite 101
 Coral Springs, FL. 33065
 Tel. (954) 784-6900 Fax. (954) 784-6901

no	date	description

date: 06-10-21
 scale: -
 dr. by: TARIQ
 chk. by: -

drawing no.
21-51F
 sheet 19.1 of 27

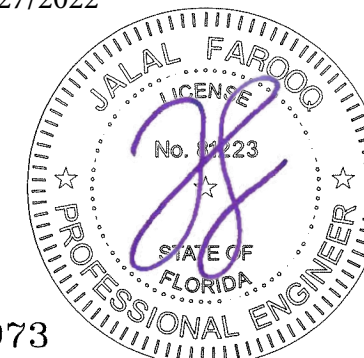


SILICONE AT UNANCHORED JAMBS
DOWSIL 790
DEPTH = 3/8" MIN.

MAX. FRAME HEIGHT	MAX. GAPS FOR UNANCHORED JAMBS			
	MULLION M1, M3 JAMB J1, J2, J3		MULLION M2, M4 JAMB J2, J4	
	MIN.	MAX.	MIN.	MAX.
84"	1/4"	1"	1/4"	1"
96"	1/4"	1"	1/4"	1"
108"	1/4"	1"	3/8"	1"
120"	1/4"	1"	3/8"	1"
132"	-	-	3/8"	1"
144"	-	-	3/8"	1"

NOTE:
MAX. MOVEMENT CONSIDERED=100% STRETCH.
PLEASE REFER TO SEALANT MANUFACTURER'S DATA AND APPLICATION MANUAL FOR COMPATABILITY OF SEALANT TO SUBSTRATE & WINDOWALL MATERIAL/FINISH AND COMPLIANCE FOR WARRANTY.
REFER TO ACI-117-10 FOR CONSTRUCTION TOLERANCES.
ALTERNATE SEALANTS AT JAMB GAPS CAN BE DESIGNED BY ENGINEER OF RECORD BASED ON MANUFACTURER GUIDE LINES.
GAPS LESS THAN 1/4" MAY BE DESIGNED BY ENGINEER OF RECORD BY THE USE OF BOND BREAKER TAPE OR 15% OF GAP ALLOWED MOVEMENT.
REFER TO SHEETS 4 THRU 7 FOR SELECTION OF MULLION/JAMB WITH REINFORCED & UNREINFORCED FRAMES.

Sealed: 4/27/2022



FL #19973

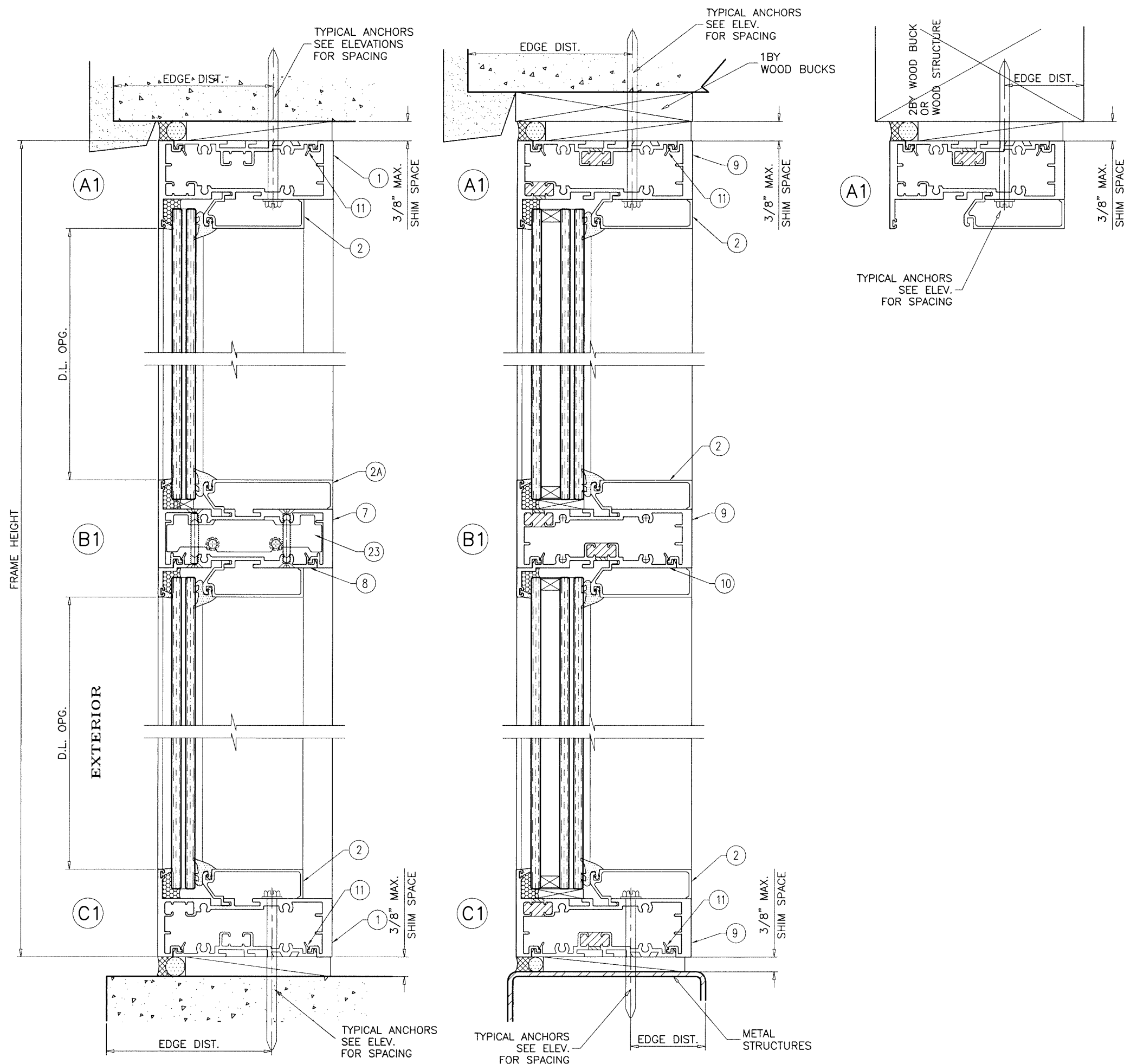
afc
AL-FAROOQ CORPORATION
ENGINEERS & PRODUCT DEVELOPMENT
9360 SUNSET DRIVE, SUITE 220 (C.A.N. 3538)
MIAMI, FLORIDA 33173
TEL. (305) 264-8100 FAX. (305) 262-6978
COMP-ANL 21-51FAGP

SERIES FRONT SET ALUM WINDOWALL SYS. (L.M.I.)
Aldora Aluminum & Glass Products Inc.
4250 Coral Ridge Drive, Suite 101
Coral Springs, FL. 33065
Tel. (954) 784-6900 Fax. (954) 784-6901

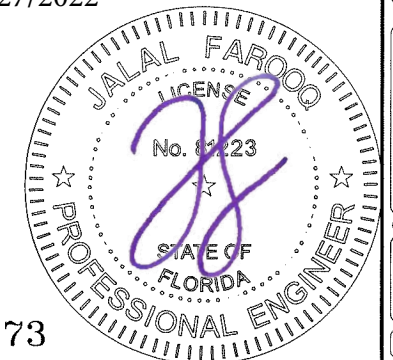
no	date	by	description

date: 06-10-21
scale: 3/8" = 1"
dr. by: TARIQ
chk. by:

drawing no.
21-51F
sheet 21 of 27



Sealed: 4/27/2022



FL #19973

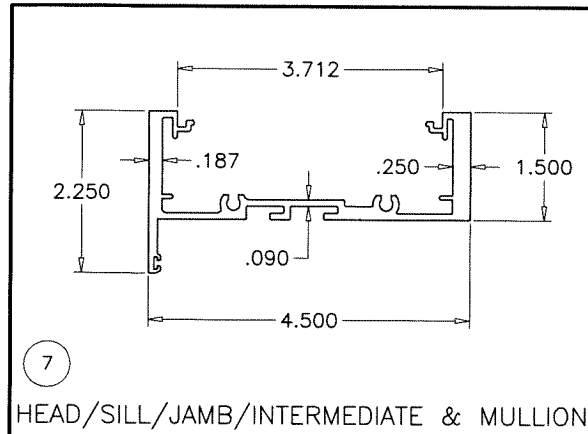
af c
AL-FAROOQ CORPORATION
 ENGINEERS & PRODUCT DEVELOPMENT
 9360 SUNSET DRIVE, SUITE 220
 MIAMI, FLORIDA 33173 (C.A.N. 3538)
 TEL. (305) 264-8100 FAX. (305) 262-6978
 COMP-ANL\21-51FAGP

SERIES FRONT SET ALUM WINDOW WALL SYS. (L.M.I.)
Aldora Aluminum & Glass Products Inc.
 4250 Coral Ridge Drive, Suite 101
 Coral Springs, FL. 33065
 Tel. (954) 784-6900 Fax. (954) 784-6901

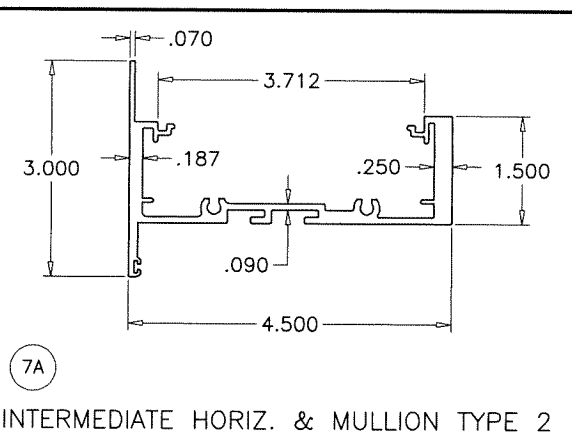
no	date	by	description

date: 06-10-21
 scale: 3/8" = 1"
 dr. by: TARIQ
 chk. by:

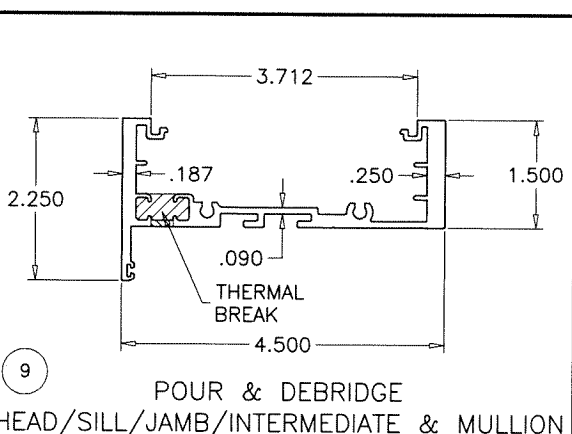
drawing no.
21-51F
 sheet 22 of 27



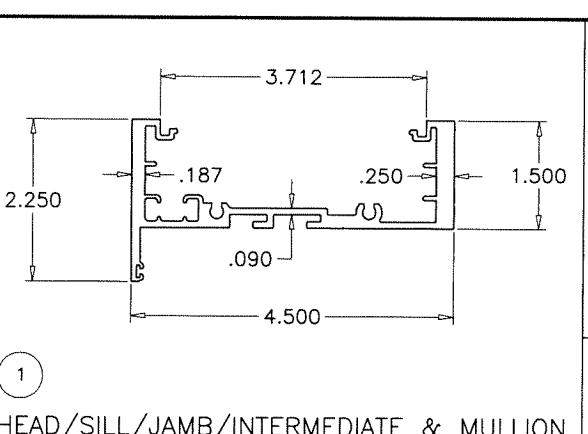
7 HEAD/SILL/JAMB/INTERMEDIATE & MULLION



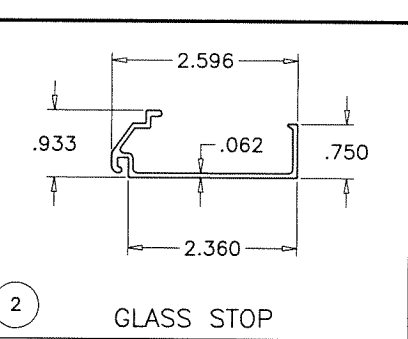
7A INTERMEDIATE HORIZ. & MULLION TYPE 2



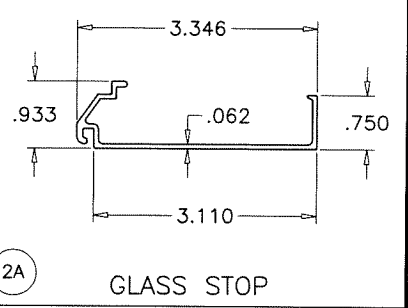
9 POUR & DEBRIDGE HEAD/SILL/JAMB/INTERMEDIATE & MULLION



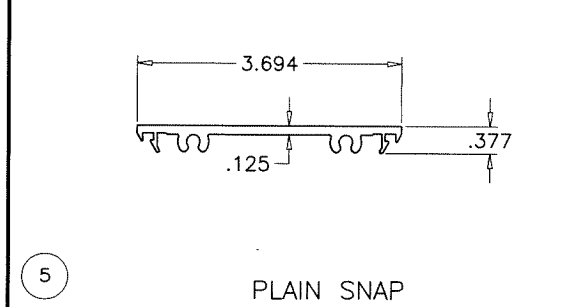
1 HEAD/SILL/JAMB/INTERMEDIATE & MULLION



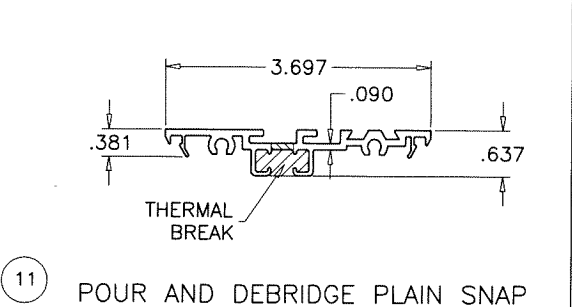
2 GLASS STOP



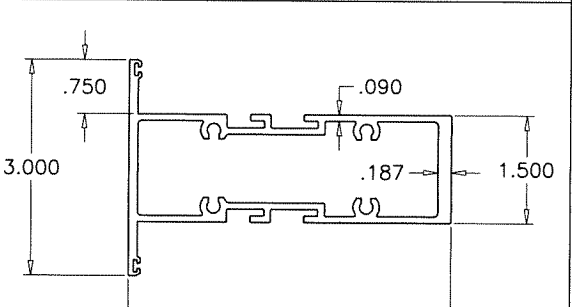
2A GLASS STOP



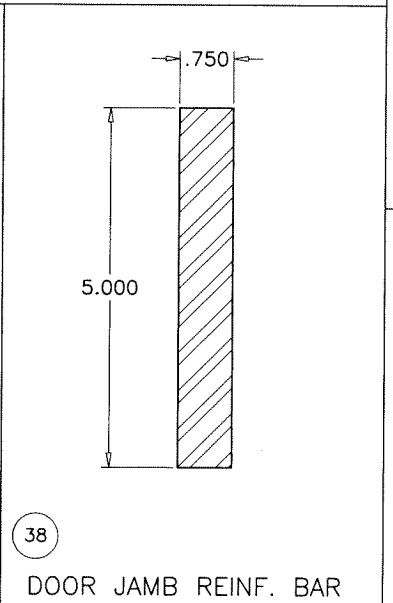
5 PLAIN SNAP



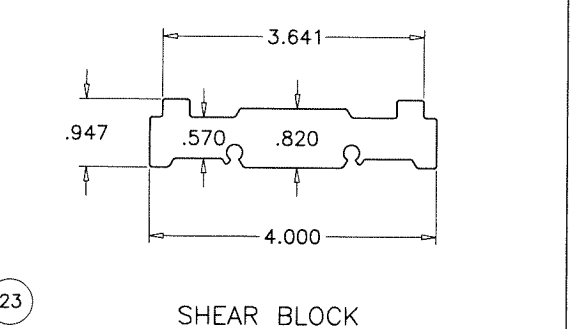
11 POUR AND DEBRIDGE PLAIN SNAP



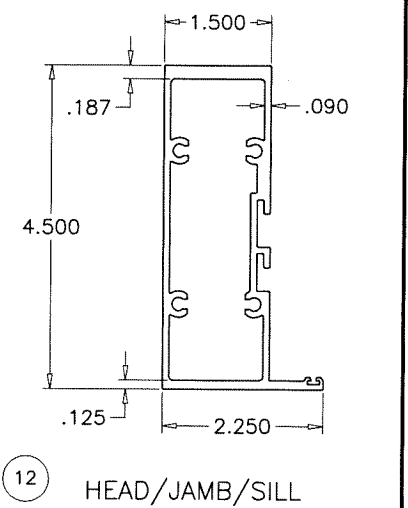
13 INTERMEDIATE HORIZONTAL



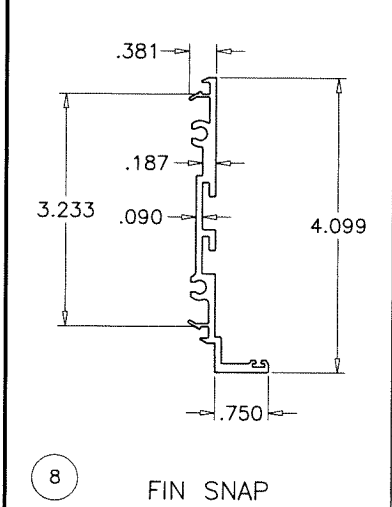
38 DOOR JAMB REINF. BAR



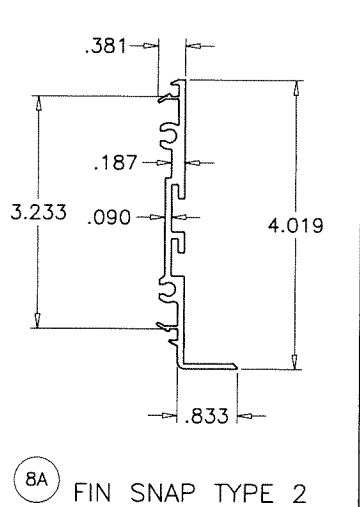
23 SHEAR BLOCK



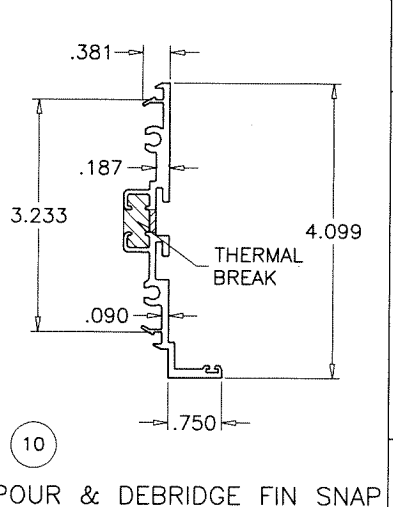
12 HEAD/JAMB/SILL



8 FIN SNAP



8A FIN SNAP TYPE 2



10 POUR & DEBRIDGE FIN SNAP

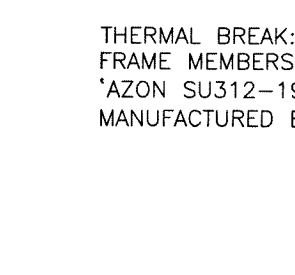
THERMAL BREAK:
 FRAME MEMBERS FILLED AND DEBRIDGED USING
 'AZON SU312-19T' STRUCTURAL THERMAL BARRIER POLYMER
 MANUFACTURED BY 'AZON USA INC.'



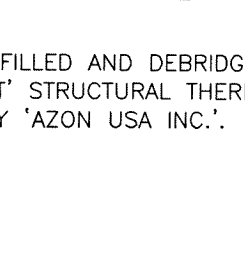
24B DOOR REINF. CHANNEL



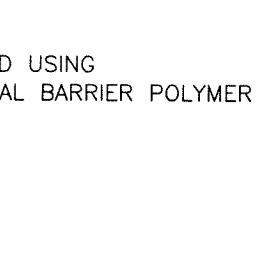
24C DOOR REINF. CHANNEL



47 REINFORCING CHANNEL



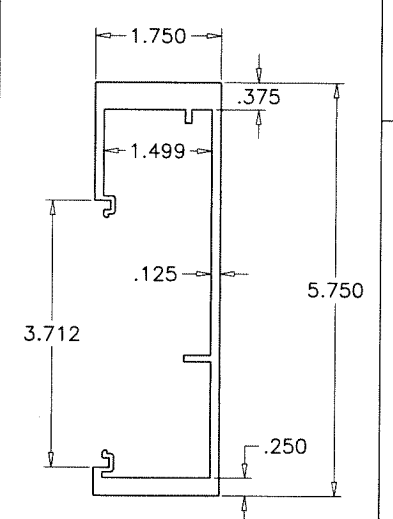
35 JAMB/MULLION REINF. BAR



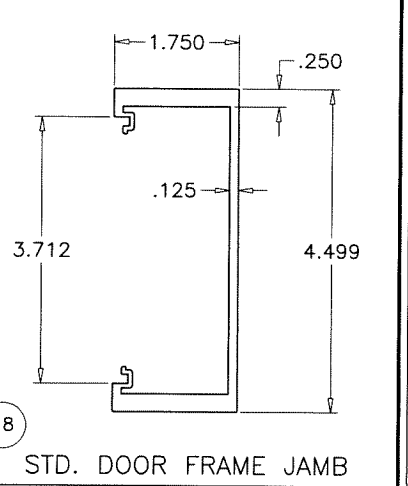
36 REINFORCING BAR



37 REINFORCING BAR

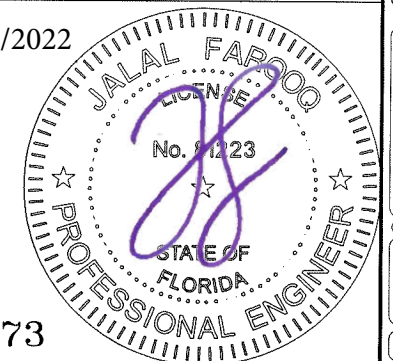


19 H.D. DOOR FRAME JAMB



18 STD. DOOR FRAME JAMB

Sealed: 4/27/2022



FL #19973

AL-FAROOQ CORPORATION
 ENGINEERS & PRODUCT DEVELOPMENT
 9360 SUNSET DRIVE, SUITE 220
 MIAMI, FLORIDA 33173
 TEL. (305) 264-8100 FAX. (305) 262-6978
 C.A.N. 3538
 COMP-ANL/21-51FAGP

SERIES FRONT SET ALUM WINDOW WALL SYS. (L.M.I.)
Aldora Aluminum & Glass Products Inc.
 4250 Coral Ridge Drive, Suite 101
 Coral Springs, FL 33065
 Tel. (954) 784-6900 Fax. (954) 784-6901

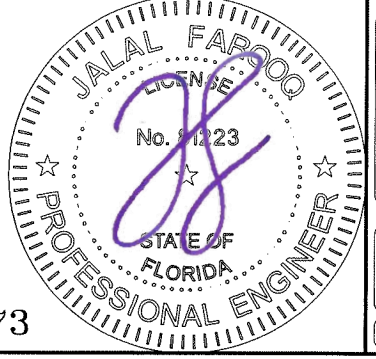
no.	date	description

date: 06-10-21
 scale: 3/8" = 1"
 dr. by: TARIQ
 chk. by:

drawing no.
21-51F
 sheet 25 of 27

ITEM #	PART #	REQ'D	DESCRIPTION	MATERIAL	MANF. / SUPPLIER / REMARKS
1	SMI-311	AS REQ'D	HEAD, INTERM., SILL, JAMB AND MULLION- HEAVY.	6063-T6	-
2	SMI-312	AS REQ'D	GLASS STOP	6063-T6	-
2A	SMI-314	AS REQ'D	GLASS STOP (LARGER)	6063-T6	-
3	SMI-313	AS REQ'D	FIN SNAP	6063-T6	-
4	SMI-094	AS REQ'D	PLAIN SNAP	6063-T6	-
5	SMI-004	AS REQ'D	PLAIN SNAP	6063-T6	-
7	SMI-316	AS REQ'D	HEAD, INTERM., SILL, JAMB & MULLION- HEAVY	6063-T6	-
7A	SMI-321	AS REQ'D	INTERMEDIATE HORIZONTAL & MULLION- TYPE 2	6063-T6	-
8	SMI-317	AS REQ'D	FIN SNAP	6063-T6	-
8A	SMI-322	AS REQ'D	FIN SNAP TYPE 2	6063-T6	-
9	SMI-311T	AS REQ'D	POUR & DEBRIDGE HEAD, INTERM., SILL, JAMB & MULLION- HEAVY.	6063-T6	-
10	SMI-313T	AS REQ'D	POUR & DEBRIDGE FIN SNAP	6063-T6	-
11	SMI-094T	AS REQ'D	POUR & DEBRIDGE PLAIN SNAP	6063-T6	-
12	SMI-318	AS REQ'D	HEAD, JAMB & SILL.	6063-T6	-
13	SMI-319	AS REQ'D	INTERMEDIATE HORIZONTAL	6063-T6	-
18	SMI-005	AS REQ'D	STD. DOOR FRAME JAMB	6063-T6	-
19	SMI-076	AS REQ'D	H.D. DOOR FRAME JAMB	6005-T5	-
23	SMI-320	AS REQ'D	SHEAR BLOCK (1" LG.)	6063-T6	-
24B	7/8"X3 7/8"X7/8"	AS REQ'D	REINFORCING CHANNEL 3/16" THK.	STEEL	-
24C	1/2"X3 7/16"X1/2"	AS REQ'D	REINFORCING CHANNEL 1/8" THK.	STEEL	-
25	SMI-G01	AS REQ'D	GASKET (AT INTERIOR)	EPDM	TREMCO
26	SMI-G13	AS REQ'D	SPACER / RETAINER OUTER GASKET	SANTOPRENE	MELTPPOINT PLASTICS INTERNATIONAL.
27	SMI-G02	AS REQ'D	SINGLE FACE FOAM TAPE (3/8" X 1/2")	VINYL FOAM	FRANK LOWE
31	SMI-SB04	2 PER GL.	SETTING BLOCKS (1/4" X 5/8" X 4" LG.)	EPDM	TREMCO, DUROMETER 80±5 SHORE A
34	SMI-SB07	2 PER GL.	SETTING BLOCKS (1/4" X 1 1/4" X 4" LG.)	EPDM	TREMCO, DUROMETER 80±5 SHORE A
35	3/8" X 4"	AS REQ'D	REINFORCING BAR	STEEL	A36, Fu MIN. = 58 KSI
36	3/4" X 4"	AS REQ'D	REINFORCING BAR	STEEL	A36, Fu MIN. = 58 KSI
37	5/8" X 4"	AS REQ'D	REINFORCING BAR	STEEL	A36, Fu MIN. = 58 KSI
38	3/4" X 5"	AS REQ'D	REINFORCING BAR	STEEL	A36, Fu MIN. = 58 KSI
46	#12 X 1 1/2"	4/CORNER	FRAME ASSEMBLY SCREWS	ST. STEEL	HEX. HEAD MACHINE SCREW
47	11/16"X 4" X 11/16"	AS REQ'D	JAMB/HORIZONTAL REINFORCING CHANNEL 3/16" THK.	STEEL	A36, Fu MIN. = 58 KSI

Sealed: 4/27/2022



FL #19973

afc

AL-FAROOQ CORPORATION
ENGINEERS & PRODUCT DEVELOPMENT
9360 SUNSET DRIVE, SUITE 220
MIAMI, FLORIDA 33173 (C.A.N. 3538)
TEL. (305) 264-8100 FAX. (305) 262-6978

SERIES FRONT SET ALUM WINDOW WALL SYS. (L.M.I.)

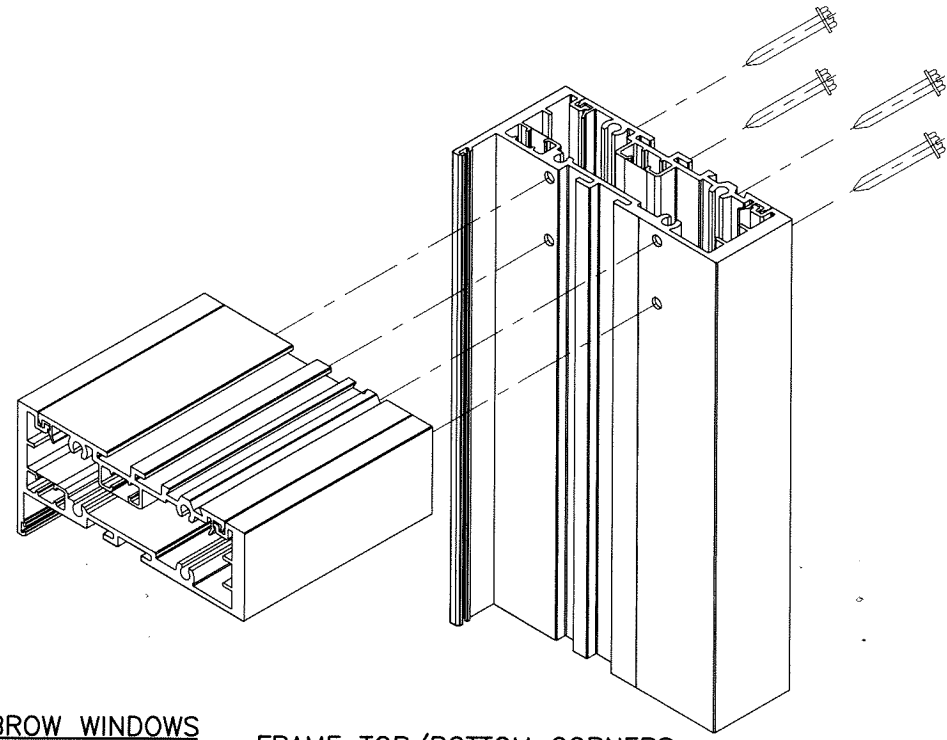
Aldora Aluminum & Glass Products Inc.
4250 Coral Ridge Drive, Suite 101
Coral Springs, FL. 33065
Tel. (954) 784-6900 Fax. (954) 784-6901

revisions:	no	date	by	description

date: 06-10-21
scale: 3/8" = 1"
dr. by: TARIQ
chk. by:

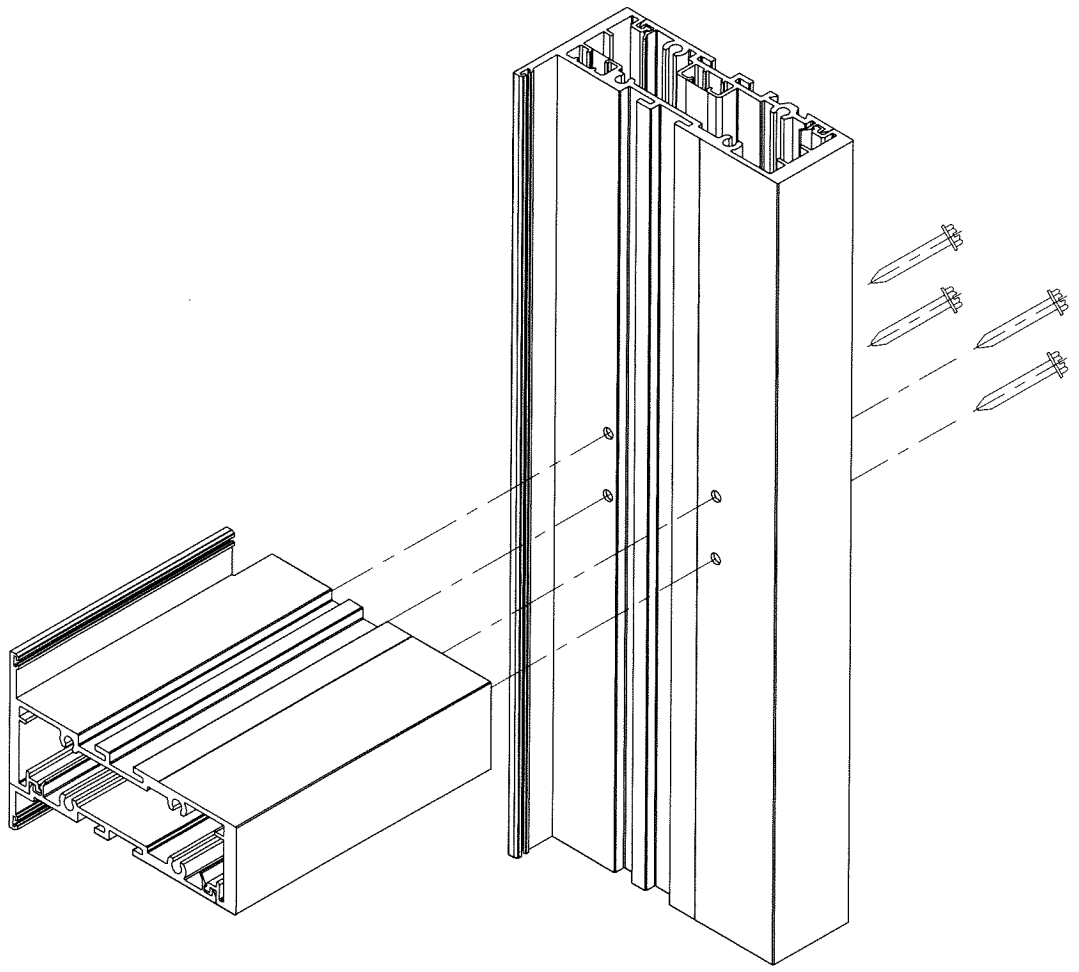
drawing no.
21-51F
sheet 26 of 27

COMP-ANL\21-51FAGP



EYEBROW WINDOWS
TOP CORNER

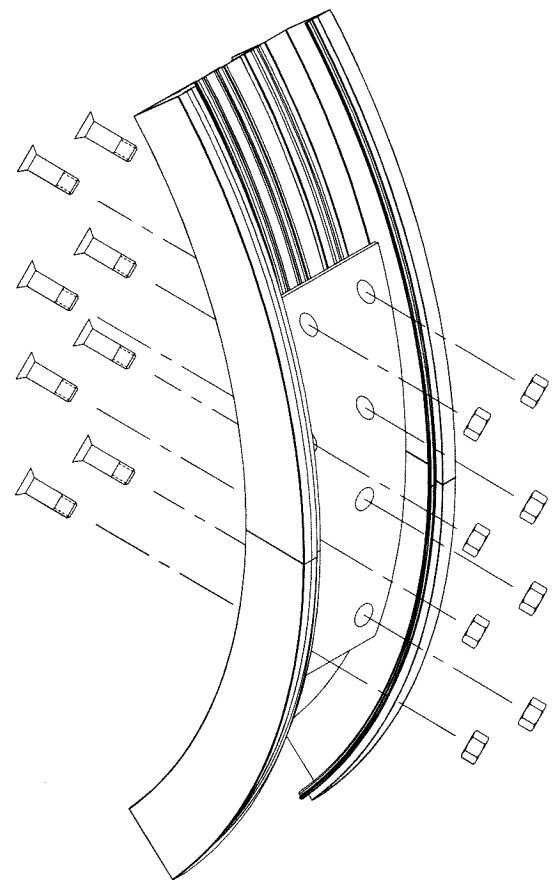
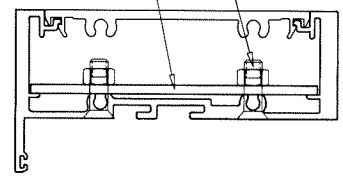
FRAME TOP/BOTTOM CORNERS



INTERMEDIATE HORIZONTAL CORNERS

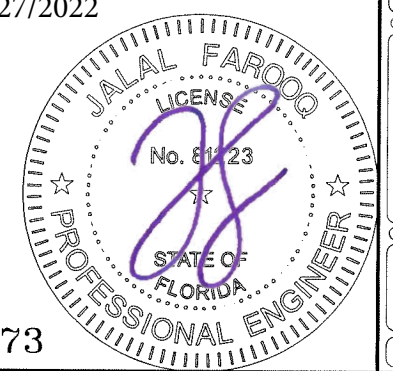
1/4-20 X 1" LONG
FT. HD. PH. MACHINE BOLT
ST/ST WITH NUT
(8) PER PLATE

1/8" X 4" ALUM PALTE
10" LONG



SPLICE JOINT AT
HALF & FULL CIRCLE CORNERS

Sealed: 4/27/2022



FL #19973

afc
AL-FAROOQ CORPORATION
ENGINEERS & PRODUCT DEVELOPMENT
9360 SUNSET DRIVE, SUITE 220
MIAMI, FLORIDA 33173 (C.A.N. 3538)
TEL. (305) 264-8100 FAX. (305) 262-6978
COMP-ANL\21-51FAGP

SERIES FRONT SET ALUM WINDOWALL SYS. (L.M.I.)
Aldora Aluminum & Glass Products Inc.
4250 Coral Ridge Drive, Suite 101
Coral Springs, FL. 33065
Tel. (954) 784-6900 Fax. (954) 784-6901

revisions:	no	date	by	description
date:	06-10-21			
scale:	3/8" = 1"			
dr. by:	TARIQ			
chk. by:				
drawing no.	21-51F			
sheet	27 of 27			