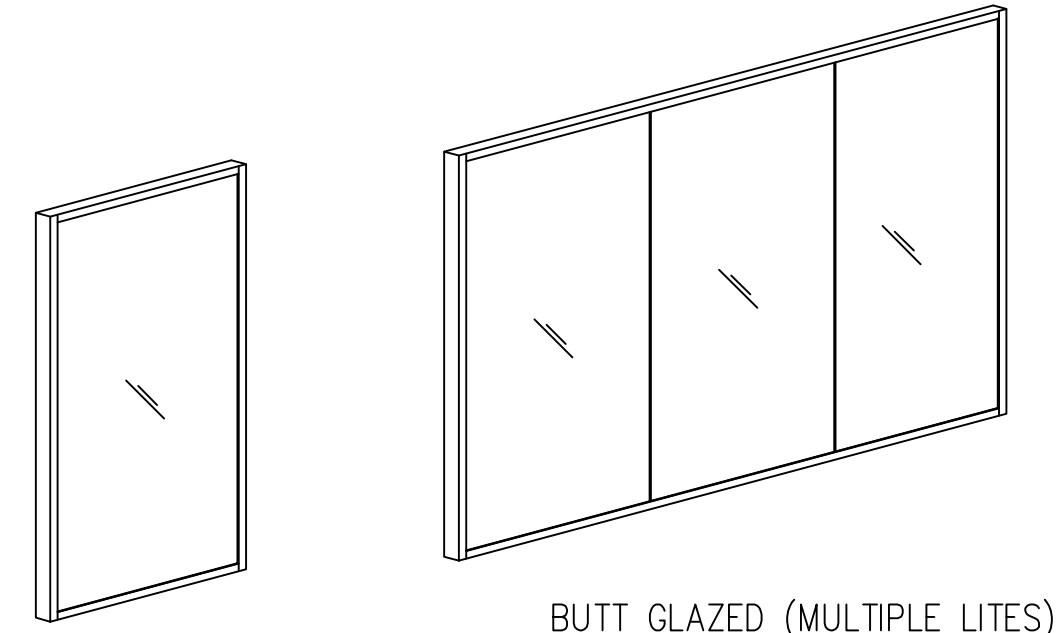


SERIES "FS300 MAXIMUM VIEW" FIXED WINDOW SYSTEM WITHOUT MULLIONS - LARGE MISSILE IMPACT (HVHZ)

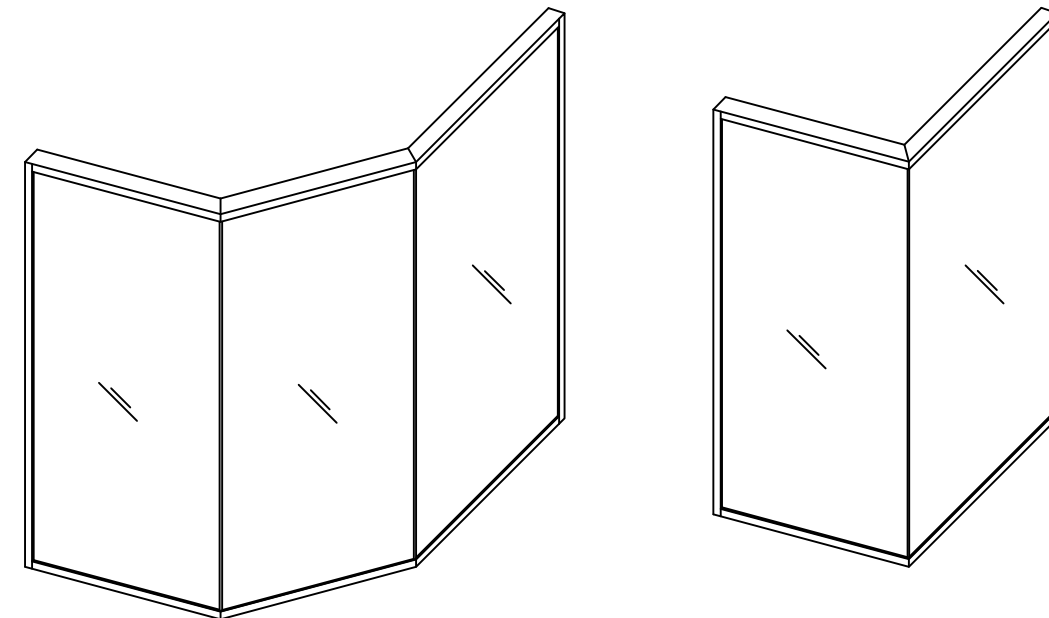
GENERAL NOTES:

1. THIS PRODUCT IS DESIGNED TO COMPLY WITH THE CURRENT FLORIDA BUILDING CODE (FBC 2020) 7th EDITION (HVHZ).
2. GLAZING SYSTEM TESTED FOR LARGE MISSILE IMPACT AS PER MIAMI-DADE COUNTY PROTOCOLS (TAS 201, 202 & 203) HURRICANE WIND-BORNE DEBRIS PROTECTION IS NOT REQUIRED.
3. THIS SYSTEM MAY BE USED IN CONJUNCTION WITH TESTED AND APPROVED ENTRANCE DOORS.
4. CODE REQUIREMENTS FOR SAFEGUARDS MUST BE OBSERVED.
5. BUCKS ARE BY OTHERS AND MUST BE ANCHORED PROPERLY TO THE STRUCTURE. BUCKS AND BUCKING SHALL BE DESIGNED BY SPECIALTY ENGINEER OR E.O.R.
6. ANCHORS SHALL BE AS LISTED IN CHARTS AND SPACED AS DETAILED.
7. FRAME ANCHOR EMBEDMENT TO BASE MATERIAL SHALL BE BEYOND WALL DRESSING OR STUCCO AS PER APPROVED FRAME ANCHOR CHARTS ON PAGES 5, 6, 7 & 9.
8. ANY SUBSTRATES, BUCKING OR ANCHOR CONDITIONS WHICH VARY FROM THIS APPROVAL SHALL BE QUALIFIED BY A SPECIALTY ENGINEER OR E.O.R.
9. ALL ALUMINUM FRAMES SHALL BE ISOLATED FROM STEEL AND CONCRETE WITH HIGH STRENGTH STRUCTURAL PLASTIC SHIMS OR AS PER FBC.



FIXED

BUTT GLAZED (MULTIPLE LITES)



BUTT GLAZED (BAY WINDOW)

BUTT GLAZED
(90 DEGREE CORNER WINDOW)

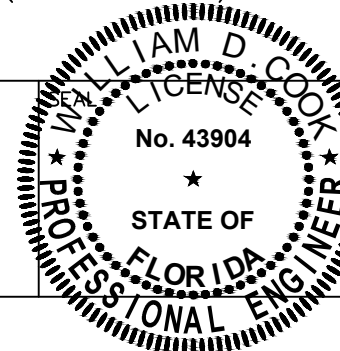
INSTRUCTIONS:

- STEP 1 – DETERMINE DESIGN WIND LOAD REQUIREMENT BASED ON WIND VELOCITY, BLDG. HEIGHT, WIND ZONE. USING APPLICABLE ASCE 7 STANDARDS FOR COMPONENTS AND CLADDING.
- STEP 3 – CHECK DESIGN PRESSURE CAPACITY FOR DESIRED GLASS TYPE/SIZE USING CHARTS ON SHEET 4. THE DESIGN PRESSURE ON THE CHART SHOULD BE EQUAL TO OR EXCEED THE PROJECT DESIGN PRESSURE.
- STEP 4 – SELECT ANCHOR OPTION(S) BASED ON SUBSTRATES FROM "APPROVED FRAME ANCHORS" SCHEDULES ON PAGE 5.

PROJECT NAME: FS300 MAXIMUM VIEW FIXED WINDOW SYSTEM – L.M.I.		
DRAWING NUMBER: FS300MV-FWS.LMI	DRAW BY: M.G.	PRODUCT APPROVAL NO.: FL 27051.1
SHT. <u>1</u> OF <u>13</u>	SCALE:	DATE: 04/24/2023



4250 CORAL RIDGE DRIVE
CORAL SPRINGS, FL 33065
PHONE: 954-784-6900
FAX: 954-688-9816



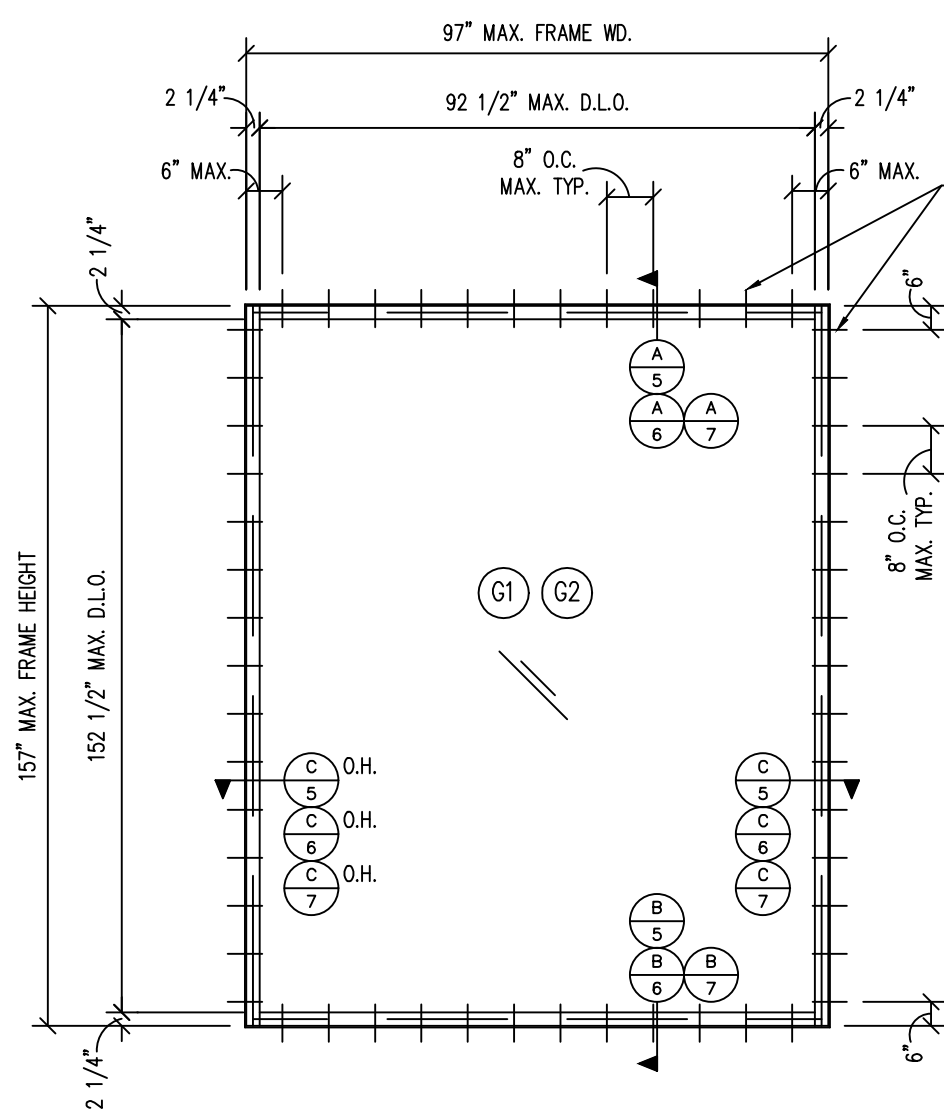
William D. Cook, PE, State of Florida,
Professional Engineer, License No. 43904

This document has been digitally signed and sealed by William D. Cook on the date indicated in the digital signature. Printed copies of this document are not considered signed and sealed and the signature must be verified on any electronic copies.

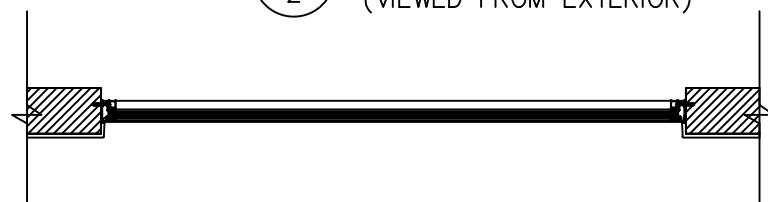
WILLIAM D. COOK P.E.
FLA P.E. #43904, FLA S.I. #2008

BROMLEY-COOK ENGINEERING, INC.
an NIVIS COMPANY
STRUCTURAL ENGINEERING SERVICES
5440 N.W. 33RD AVENUE SUITE 100
FORT LAUDERDALE, FLORIDA 33309
TEL: (954) 772-4624 FAX: (954) 772-4634

ALUMINUM FIXED WINDOW SYSTEM WITH BUTT JOINT GLASS (NO MULLIONS)



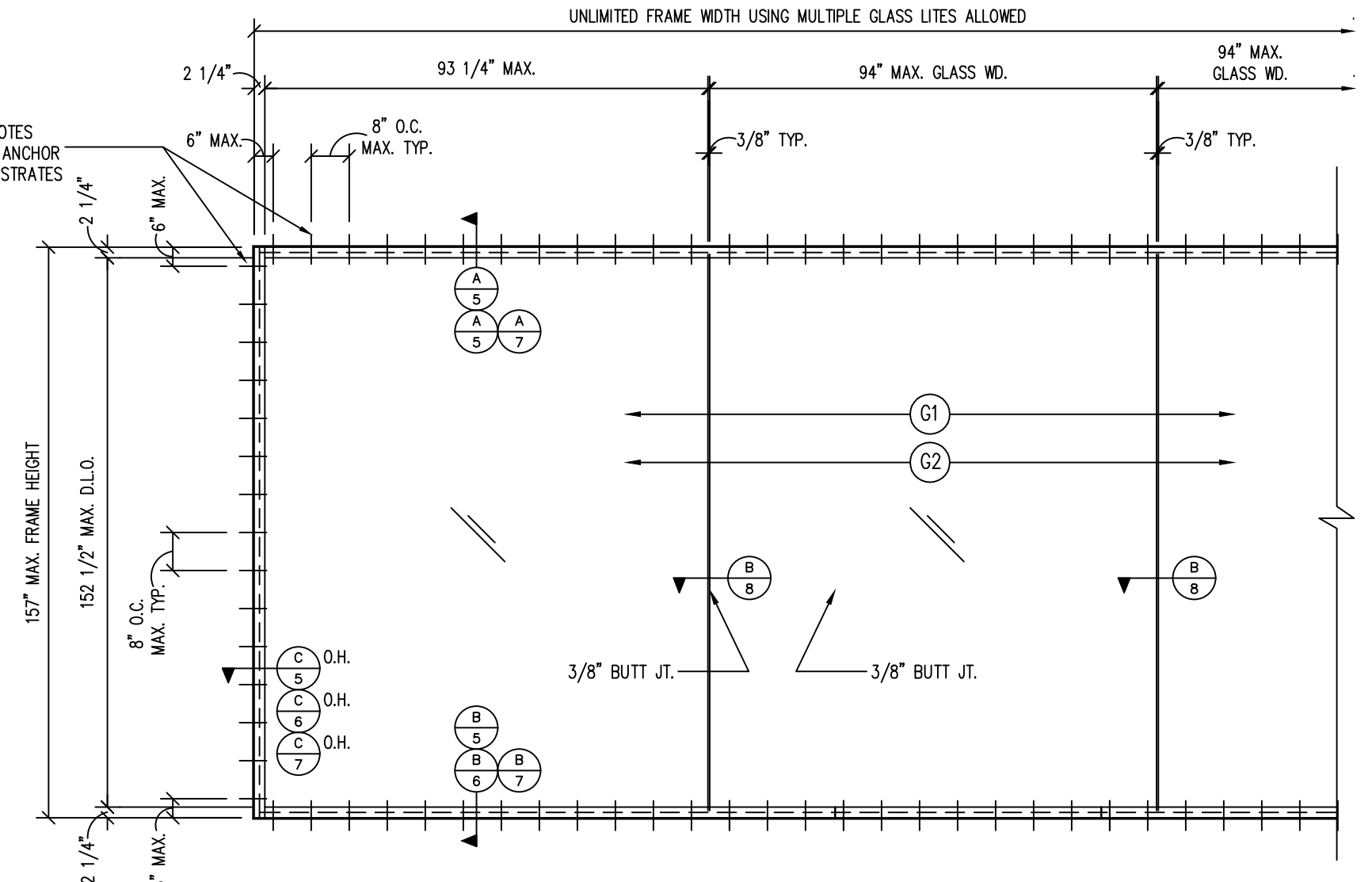
E1 WINDOW ELEVATION
2 (VIEWED FROM EXTERIOR)



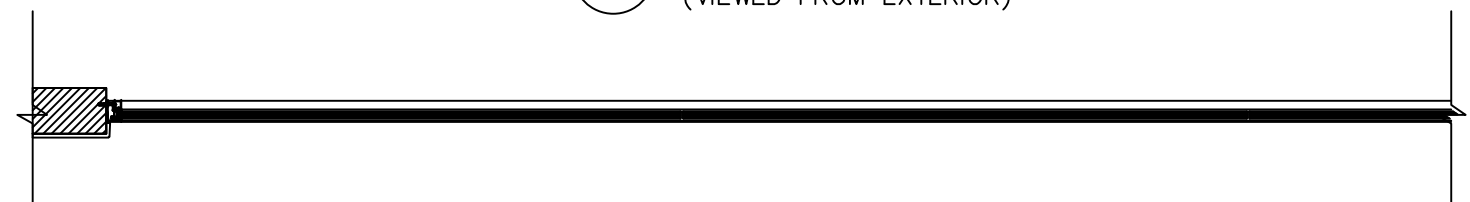
P1 PLAN VIEW
2

INDICATES FRAME ANCHORS REFER TO NOTES ON PAGES 5, 6 & 7 FOR ANCHOR TYPES, EMBEDMENT & SUBSTRATES

NOTE:
FRAMES MAY BE INSTALLED SIDE BY SIDE OR STACKED VERTICALLY USING MIAMI-DADE COUNTY OR STATE OF FLORIDA APPROVED VERTICAL OR HORIZONTAL MULLION TUBES. STEEL COLUMNS OR BEAMS DESIGNED BY SPECIALTY ENGINEER OR ENGINEER OF RECORD MAY ALSO BE USED BETWEEN FRAMES. REFER TO "OPTIONAL" DETAILS ON PAGE 9.



E2 WINDOW ELEVATION
2 (VIEWED FROM EXTERIOR)

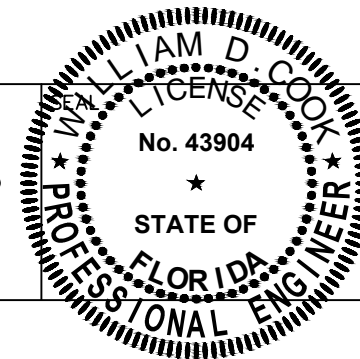


P2 PLAN VIEW
2

PROJECT NAME: FS300 MAXIMUM VIEW FIXED WINDOW SYSTEM - L.M.I.		
DRAWING NUMBER: FS300MV-FWS.LMI	DRAW BY: M.G.	PRODUCT APPROVAL NO.: FL 27051.1
SHT. 2 OF 13	SCALE:	DATE: 04/24/2023



4250 CORAL RIDGE DRIVE
CORAL SPRINGS, FL 33065
PHONE: 954-784-6900
FAX: 954-688-9816



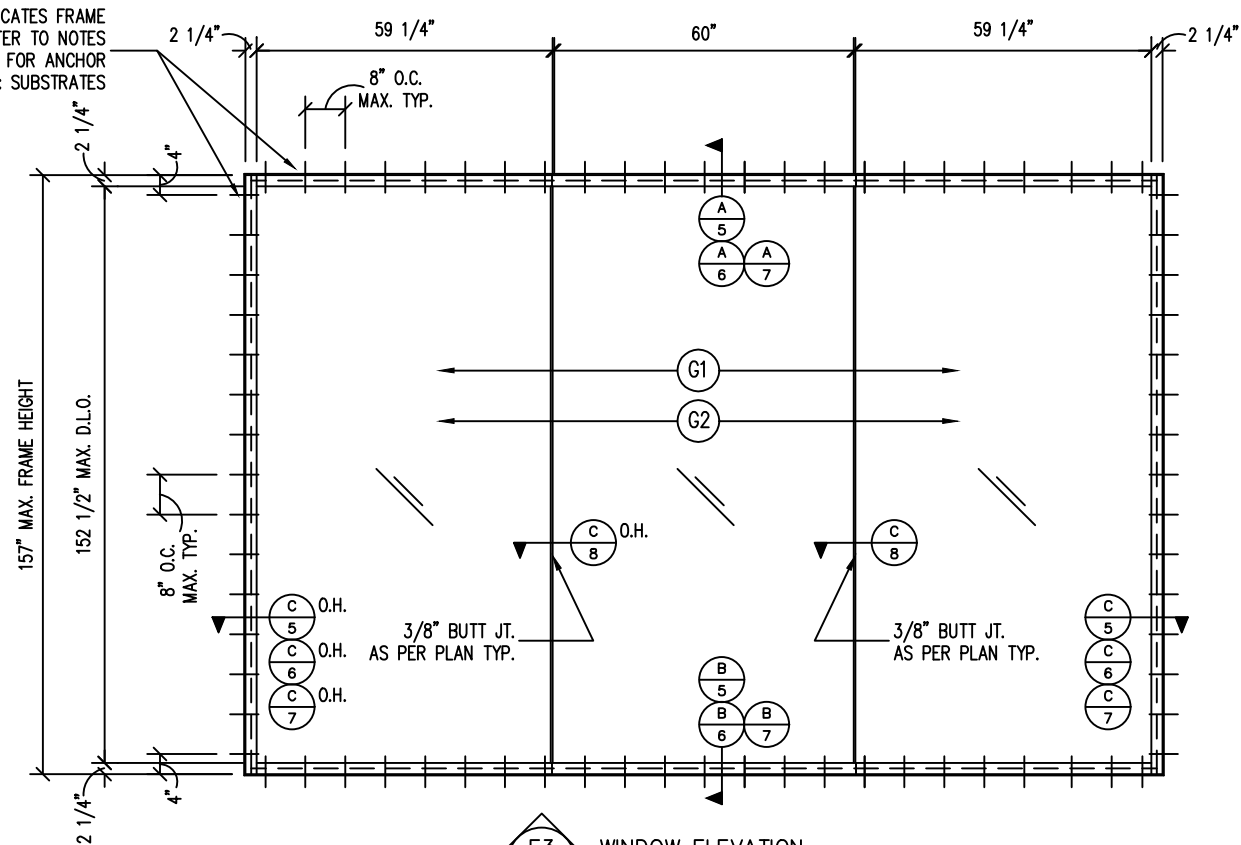
William D. Cook, PE, State of Florida,
Professional Engineer, License No. 43904
This document has been digitally signed and sealed by William D. Cook on the date indicated in the digital signature. Printed copies of this document are not considered signed and sealed and the signature must be verified on any electronic copies.
WILLIAM D. COOK P.E.
FLA P.E. #43904, FLA S.I. #2008

BROMLEY-COOK ENGINEERING, INC.
an NIVIS COMPANY
STRUCTURAL ENGINEERING SERVICES
5440 N.W. 33RD AVENUE SUITE 100
FORT LAUDERDALE, FLORIDA 33309
TEL: (954) 772-4624 FAX: (954) 772-4634

ALUMINUM FIXED WINDOW SYSTEM WITH ANGLED BUTT JOINT GLASS (NO MULLIONS) & MITERED FRAME AT HEAD & SILL

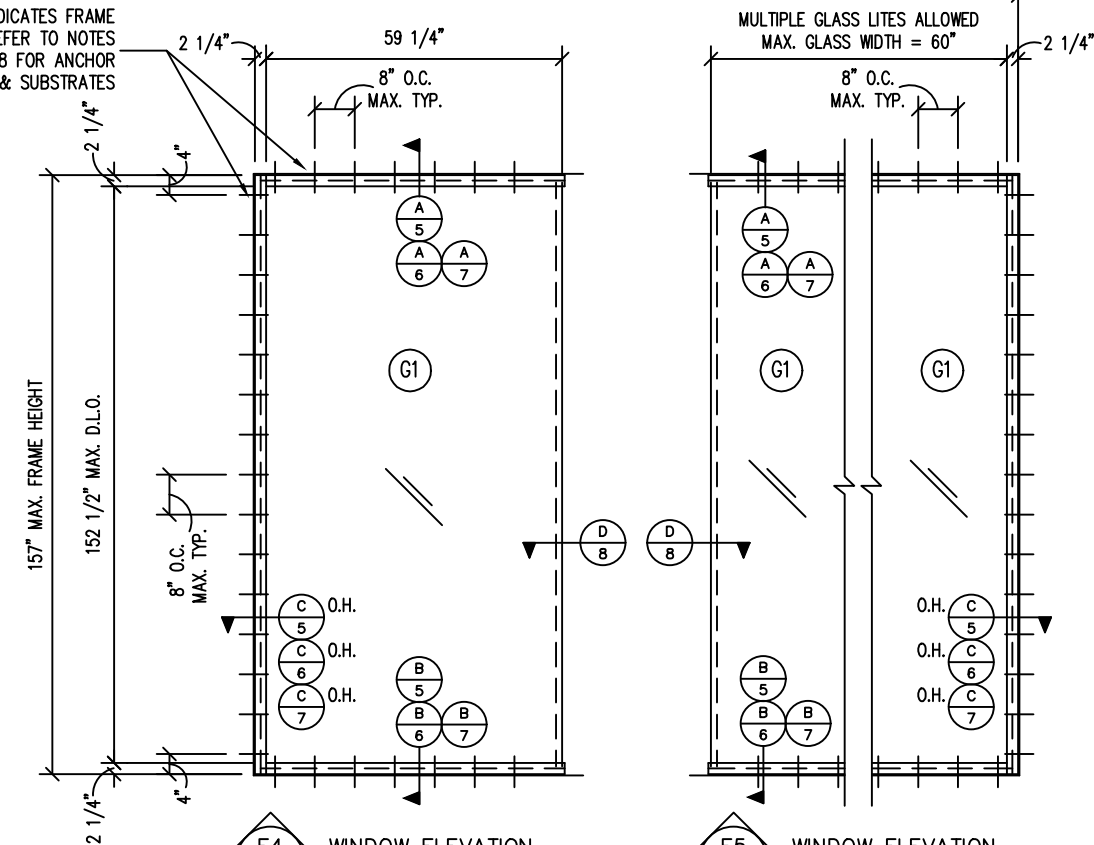
UNLIMITED FRAME WIDTH USING MULTIPLE GLASS LITES ALLOWED

INDICATES FRAME ANCHORS REFER TO NOTES ON PAGE 5, 6 & 8 FOR ANCHOR TYPES, EMBEDMENT & SUBSTRATES



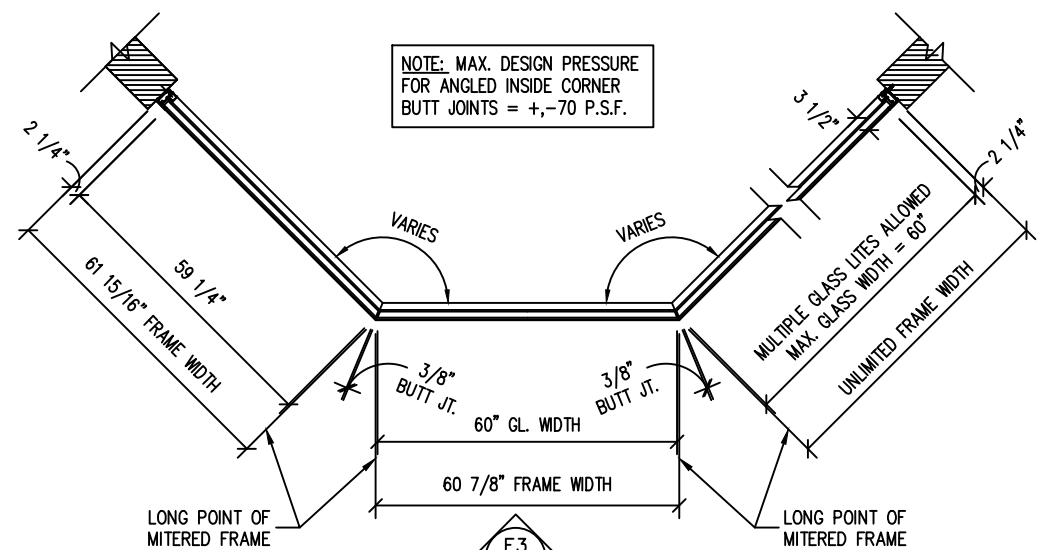
E3 WINDOW ELEVATION (VIEWED FROM EXTERIOR)

INDICATES FRAME ANCHORS REFER TO NOTES ON PAGE 5, 6 & 8 FOR ANCHOR TYPES, EMBEDMENT & SUBSTRATES

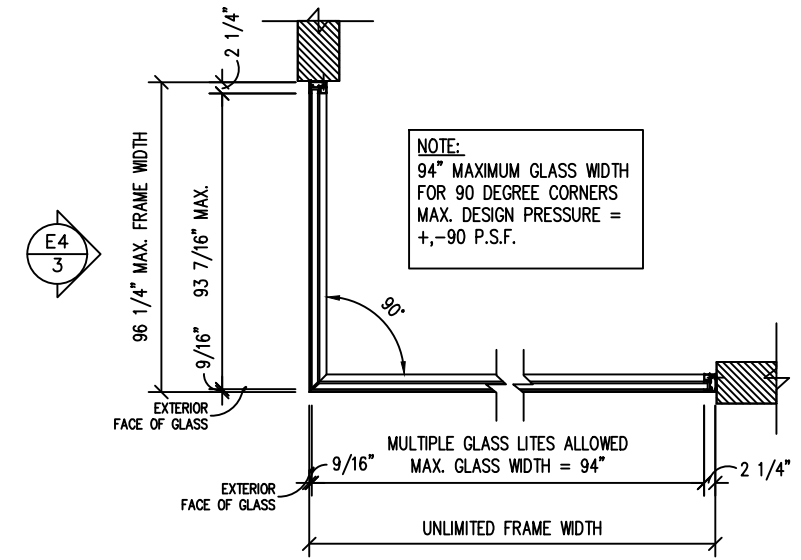


E4 WINDOW ELEVATION (VIEWED FROM EXTERIOR)

E5 WINDOW ELEVATION (VIEWED FROM EXTERIOR)



P1 PLAN VIEW



P2 PLAN VIEW

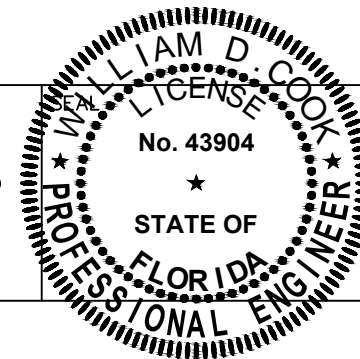
NOTE: MAX. DESIGN PRESSURE FOR ANGLED INSIDE CORNER BUTT JOINTS = +,-70 P.S.F.

NOTE: 94" MAXIMUM GLASS WIDTH FOR 90 DEGREE CORNERS MAX. DESIGN PRESSURE = +,-90 P.S.F.

PROJECT NAME: FS300 MAXIMUM VIEW FIXED WINDOW SYSTEM - L.M.I.		
DRAWING NUMBER: FS300MV-FWS.LMI	DRAW BY: M.G.	PRODUCT APPROVAL NO.: FL 27051.1
SCALE:	DATE: 04/24/2023	
SHT. 3 OF 13		



4250 CORAL RIDGE DRIVE
CORAL SPRINGS, FL 33065
PHONE: 954-784-6900
FAX: 954-688-9816



William D. Cook, PE, State of Florida,
Professional Engineer, License No. 43904
This document has been digitally signed and sealed by William D. Cook on the date indicated in the digital signature. Printed copies of this document are not considered signed and sealed and the signature must be verified on any electronic copies.
WILLIAM D. COOK P.E.
FLA P.E. #43904, FLA S.I. #2008

BROMLEY-COOK ENGINEERING, INC.
an NIVIS COMPANY
STRUCTURAL ENGINEERING SERVICES
5440 N.W. 33RD AVENUE SUITE 100
FORT LAUDERDALE, FLORIDA 33309
TEL: (954) 772-4624 FAX: (954) 772-4634

GLASS LOAD CAPACITY – P.S.F. (CAPTURED 4 SIDES)			
FRAME SIZE		GLASS TYPE: G1	GLASS TYPE: G2
FRAME WIDTH	FRAME HEIGHT	PSF (+,-)	PSF (+,-)
60"	96"	90	70
72"			
84"			
97"			
66"	102"		
72"			
84"			
97"			
66"	108"		
72"			
84"			
97"			
66"	114"		
72"			
84"			
97"			
66"	120"		
72"			
84"			
97"			
66"	144"		
72"			
84"			
97"			
66"	157"		
72"			
84"			
97"			
		90	

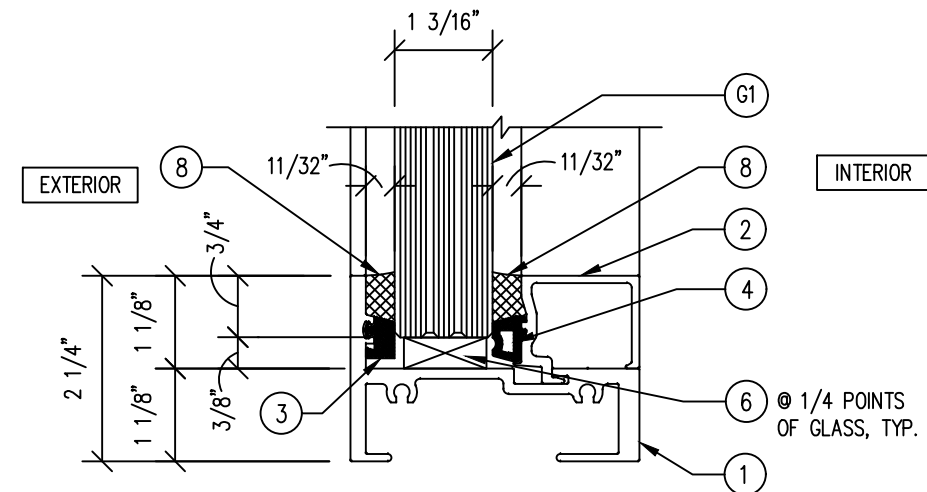
GLASS LOAD CAPACITY – P.S.F. (CAPTURED 2 SIDES)			
FRAME/GLASS SIZE		GLASS TYPE: G1	GLASS TYPE: G2
GLASS WIDTH	FRAME HEIGHT	PSF (+,-)	PSF (+,-)
60"	96"	90	70
72"			
84"			
97"			
66"	102"		
72"			
84"			
97"			
66"	108"		
72"			
84"			
97"			
66"	114"		
72"			
84"			
97"			
66"	120"		
72"			
84"			
97"			
66"	144"		
72"			
84"			
97"			
66"	157"		
72"			
84"			
97"			
		90	

MAXIMUM ALLOWABLE GLASS SIZE BASED ON
ASTM E-1300-09 (3 SEC. GUSTS)

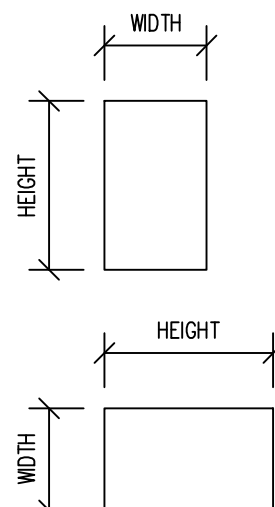
WATER INFILTRATION = +14.0 PSF

GLASS TYPES:

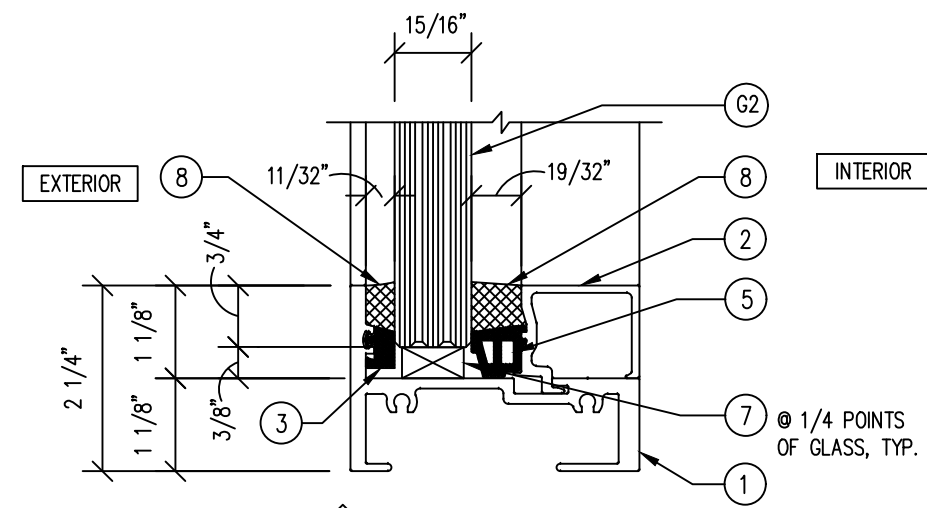
GLASS MK:	GLASS TYPE:	COMPOSITION:
G1	1 3/16" THK. LAMINATED	3/8" TEMPERED – .090" SENTRYGLAS INTERLAYER – 1/4" HEAT STRENGTHENED – .090" SENTRYGLAS INTERLAYER – 3/8" TEMPERED (SENTRYGLAS BY KURARAY AMERICA INC.)
G2	15/16" THK. LAMINATED	1/4" HEAT STRENGTHENED – .090" SENTRYGLAS INTERLAYER – 1/4" HEAT STRENGTHENED – .090" SENTRYGLAS INTERLAYER – 1/4" HEAT STRENGTHENED (SENTRYGLAS BY KURARAY AMERICA INC.)



G1 TYPICAL GLAZING DETAIL
1 3/16" NOMINAL THICKNESS
LAMINATED GLASS



NOTE: GLASS ORIENTATION MAY
BE VERTICAL OR HORIZONTAL

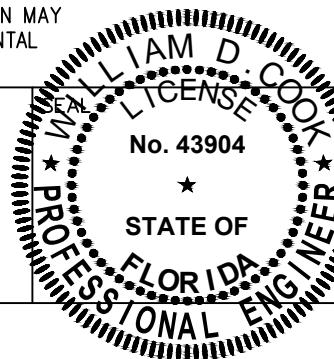


G2 TYPICAL GLAZING DETAIL
15/16" NOMINAL THICKNESS
LAMINATED GLASS

PROJECT NAME: FS300 MAXIMUM VIEW FIXED WINDOW SYSTEM – L.M.I.		
DRAWING NUMBER: FS300MV-FWS.LMI	DRAW BY: M.G.	PRODUCT APPROVAL NO.: FL 27051.1
SCALE: SHT. 4 OF 13		DATE: 04/24/2023

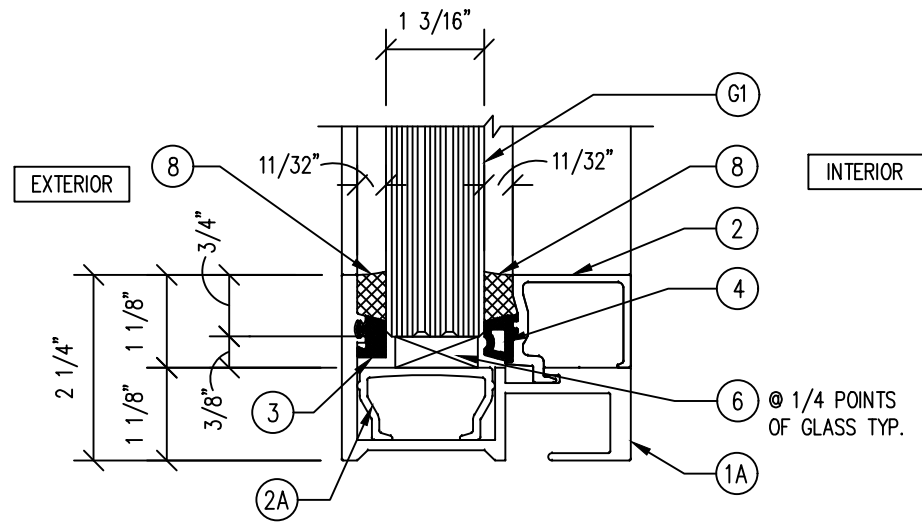


4250 CORAL RIDGE DRIVE
CORAL SPRINGS, FL 33065
PHONE: 954-784-6900
FAX: 954-688-9816

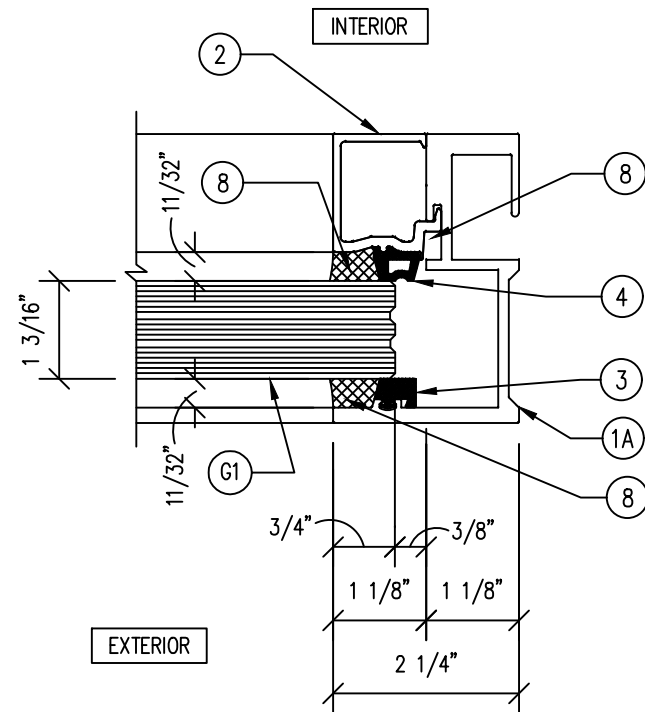


William D. Cook, PE, State of Florida,
Professional Engineer, License No. 43904
This document has been digitally signed and sealed
by William D. Cook on the date indicated in the
digital signature. Printed copies of this document
are not considered signed and sealed and the
signature must be verified on any electronic copies.
WILLIAM D. COOK P.E.
FLA P.E. #43904, FLA S.I. #2008

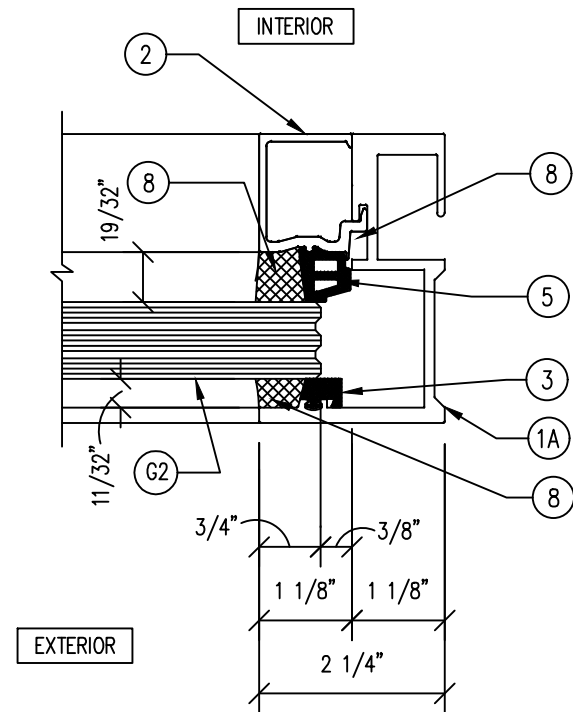
BROMLEY-COOK ENGINEERING, INC.
an NIVIS COMPANY
STRUCTURAL ENGINEERING SERVICES
5440 N.W. 33RD AVENUE SUITE 100
FORT LAUDERDALE, FLORIDA 33309
TEL: (954) 772-4624 FAX: (954) 772-4634



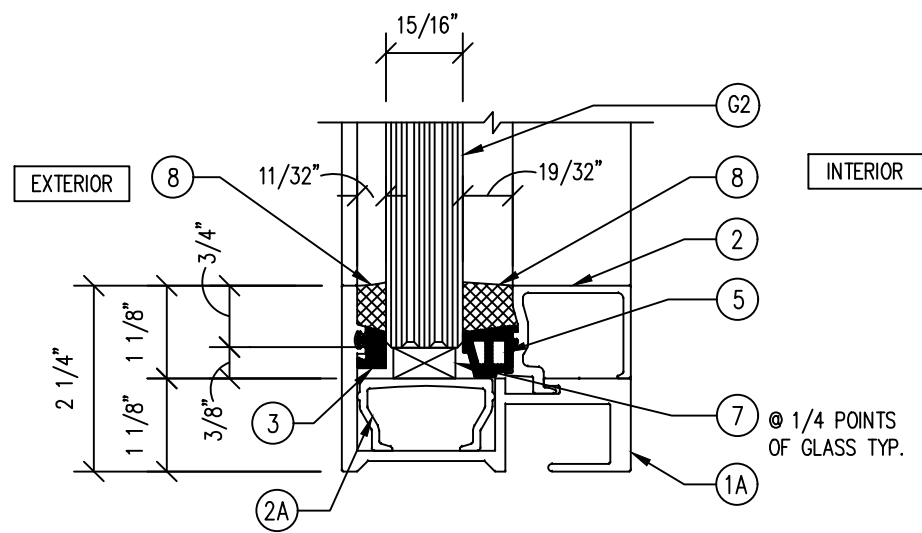
G3
4.1
OPTIONAL GLAZING DETAIL
DEEP POCKET FRAME W/
1 3/16" NOMINAL THICKNESS
LAMINATED GLASS



G5
4.1
OPTIONAL GLAZING DETAIL
DEEP POCKET FRAME JAMB (HEAD SIM.)
W/ 1 3/16" NOMINAL THICKNESS
LAMINATED GLASS



G6
4.1
OPTIONAL GLAZING DETAIL
DEEP POCKET FRAME JAMB (HEAD SIM.)
W/ 15/16" NOMINAL THICKNESS
LAMINATED GLASS

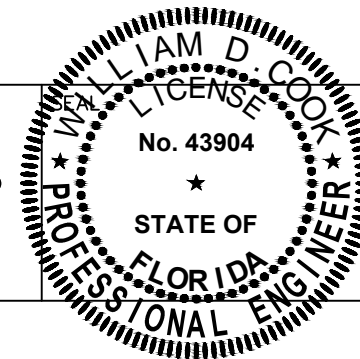


G4
4.1
OPTIONAL GLAZING DETAIL
DEEP POCKET FRAME W/
15/16" NOMINAL THICKNESS
LAMINATED GLASS

PROJECT NAME: FS300 MAXIMUM VIEW FIXED WINDOW SYSTEM - L.M.I.		
DRAWING NUMBER: FS300MV-FWS.LMI	DRAW BY: M.G.	PRODUCT APPROVAL NO.: FL 27051.1
SHT. 4.1 OF 13	SCALE:	DATE: 04/24/2023

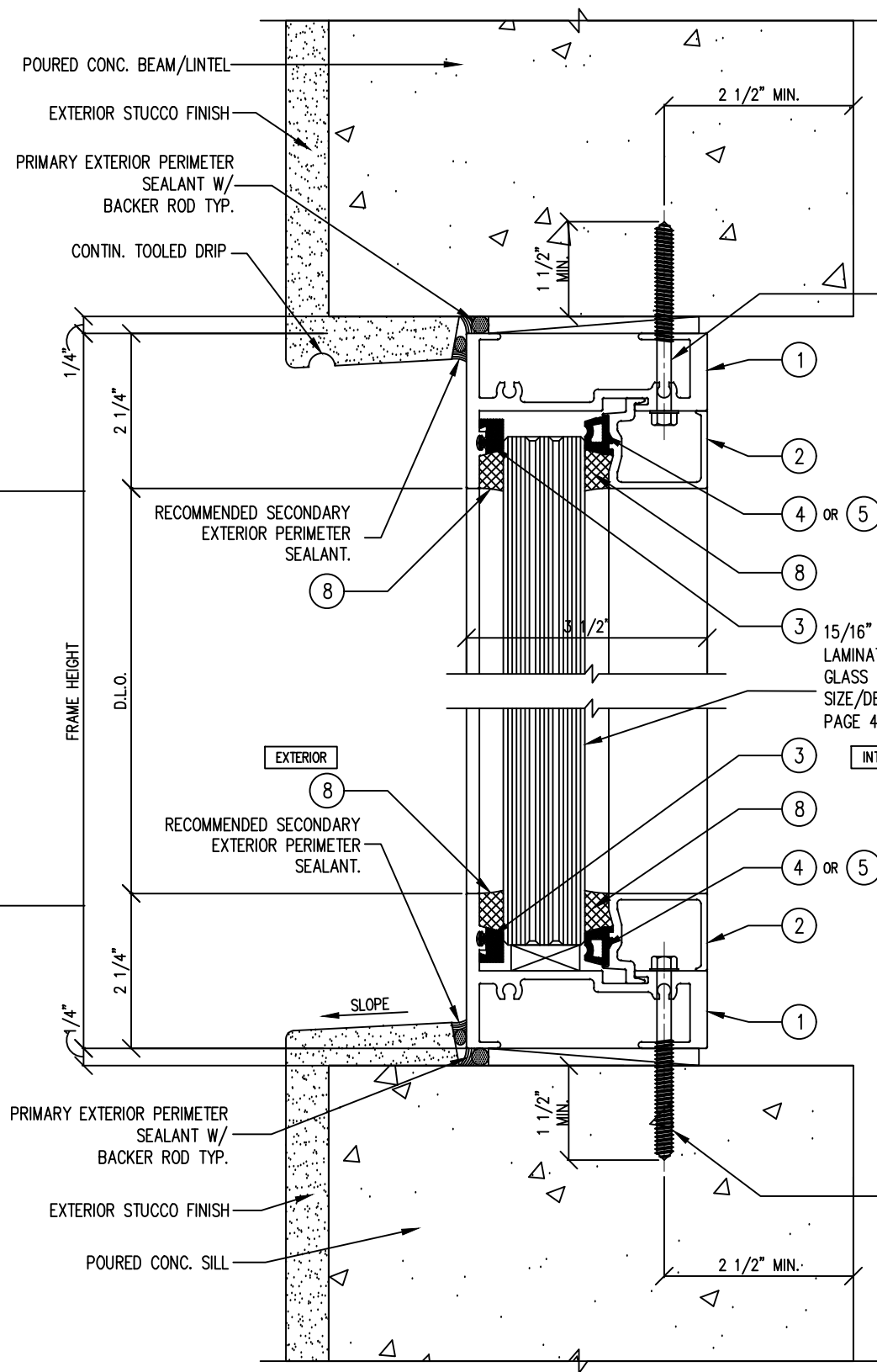


4250 CORAL RIDGE DRIVE
CORAL SPRINGS, FL 33065
PHONE: 954-784-6900
FAX: 954-688-9816



William D. Cook, PE, State of Florida,
Professional Engineer, License No. 43904
This document has been digitally signed and sealed
by William D. Cook on the date indicated in the
digital signature. Printed copies of this document
are not considered signed and sealed and the
signature must be verified on any electronic copies.
WILLIAM D. COOK P.E.
FLA P.E. #43904, FLA S.I. #2008

BROMLEY-COOK ENGINEERING, INC.
an NIVIS COMPANY
STRUCTURAL ENGINEERING SERVICES
5440 N.W. 33RD AVENUE SUITE 100
FORT LAUDERDALE, FLORIDA 33309
TEL: (954) 772-4624 FAX: (954) 772-4634



A
5 HEAD DETAIL
CONC. SUBSTRATE
W/O WOOD BUCK

B
5 SILL DETAIL
CONC. SUBSTRATE
W/O WOOD BUCK

PERIMETER SEALANTS:
PERIMETER SEALANTS MAY BE THE FOLLOWING:
DOW CORNING 795 SILICONE
TREMCO SPECTRUM SILICONE OR DYMONIC FC.
TREMCO DYMONIC 100 URETHANE.

ALTERNATE SEALANTS TO BE APPROVED
BY EOR OR SPECIALTY ENGINEER.

TYP. FRAME ANCHOR
REFER TO ELEVATIONS FOR SPACING
AND CHART ON THIS SHEET FOR
ALLOWABLE ANCHOR TYPES
AND SUBSTRATES

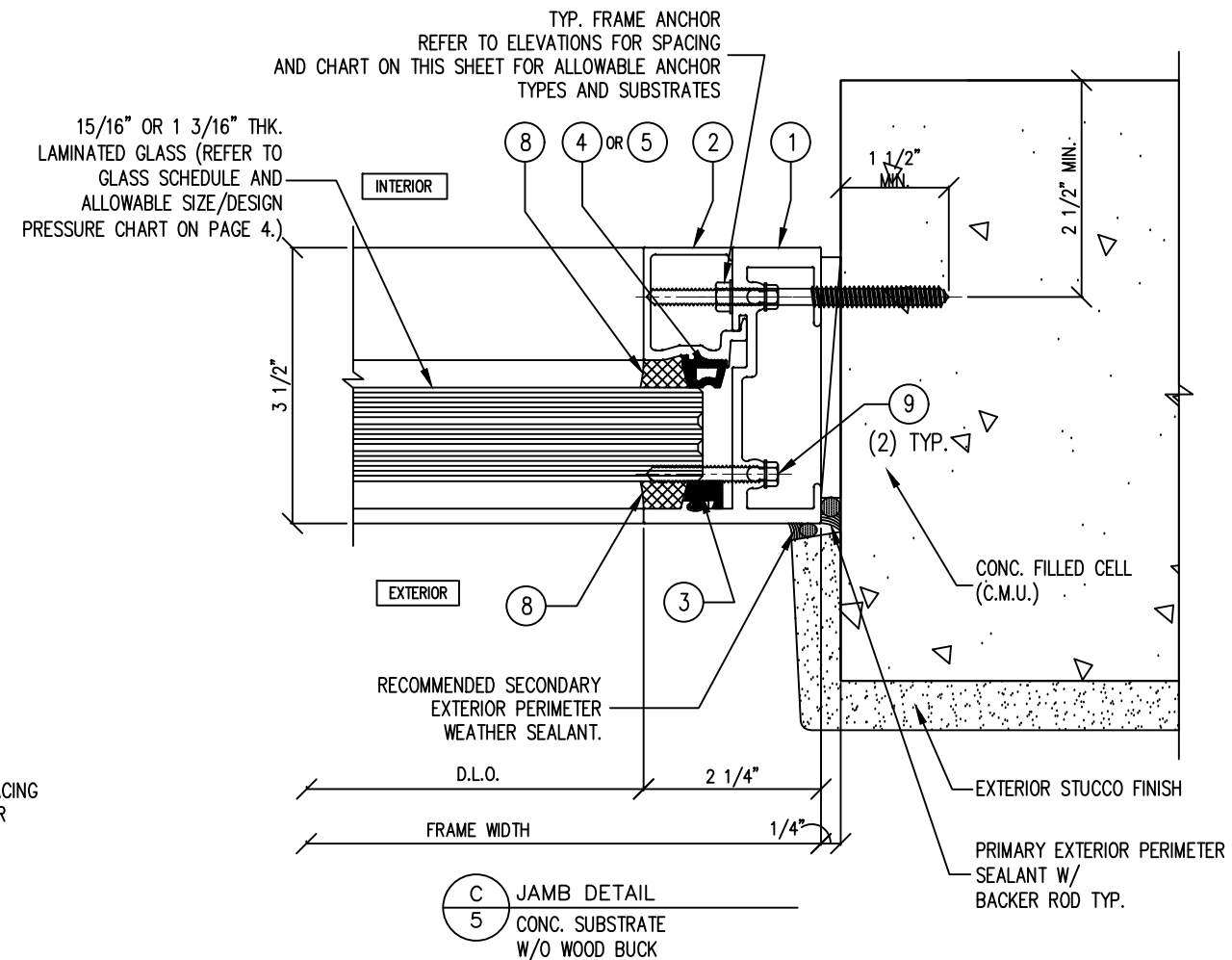
TYP. FRAME ANCHOR
REFER TO ELEVATIONS FOR SPACING
AND CHART ON THIS SHEET FOR
ALLOWABLE ANCHOR TYPES
AND SUBSTRATES

APPROVED FRAME ANCHORS (HEAD SILL & JAMBS):

- 1/4" DIA. H.H. ULTRACONS OR EQUAL INTO 3050 P.S.I. POURED CONC. WITH 1 3/4" MIN. EMBED. MIN. EDGE DISTANCE = 2 1/2"
- 1/4" DIA. H.H. ULTRACONS OR EQUAL THRU (1 X) OR (2 X) NOMINAL THICKNESS P.T. WOOD BUCKS WITH 1 3/4" MIN. EMBED. INTO CONC. MIN. EDGE DISTANCE = 2 1/2"
- #14 X 1 1/4" H.H. SELF THREADING SCREWS (ELCO "DRILL-FLEX" OR "TEKS") INTO STEEL OR ALUMINUM FRAMING (STEEL: A36 MIN. YIELD STRENGTH - 1/8" MIN. THICKNESS) (ALUMINUM: 6063-T5 OR SIM.) FASTENERS MUST PENETRATE THRU METAL SUBSTRATE 1/4" MIN.

APPROVED FRAME ANCHORS (JAMBS):

- 1/4" DIA. H.H. ULTRACONS OR EQUAL INTO 2500 P.S.I. MIN. GROUT FILLED C.M.U. WITH 1 3/4" MIN. EMBED. MIN. EDGE DISTANCE = 2 1/2"
- 1/4" DIA. H.H. ULTRACONS OR EQUAL INTO (2 X) NOMINAL THICKNESS P.T. WOOD BUCK WITH 1 1/2" MIN. EMBED INTO STRUCTURAL WOOD FRAMING. (MIN. SPECIFIC GRAVITY = 0.55) MIN. EDGE DISTANCE = 1 1/4"

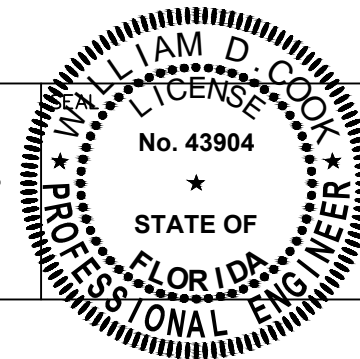


C
5 JAMB DETAIL
CONC. SUBSTRATE
W/O WOOD BUCK

PROJECT NAME: FS300 MAXIMUM VIEW FIXED WINDOW SYSTEM - L.M.I.		
DRAWING NUMBER: FS300MV-FWS.LMI	DRAW BY: M.G.	PRODUCT APPROVAL NO.: FL 27051.1
SHT. 5 OF 13	SCALE:	DATE: 04/24/2023



4250 CORAL RIDGE DRIVE
CORAL SPRINGS, FL 33065
PHONE: 954-784-6900
FAX: 954-688-9816

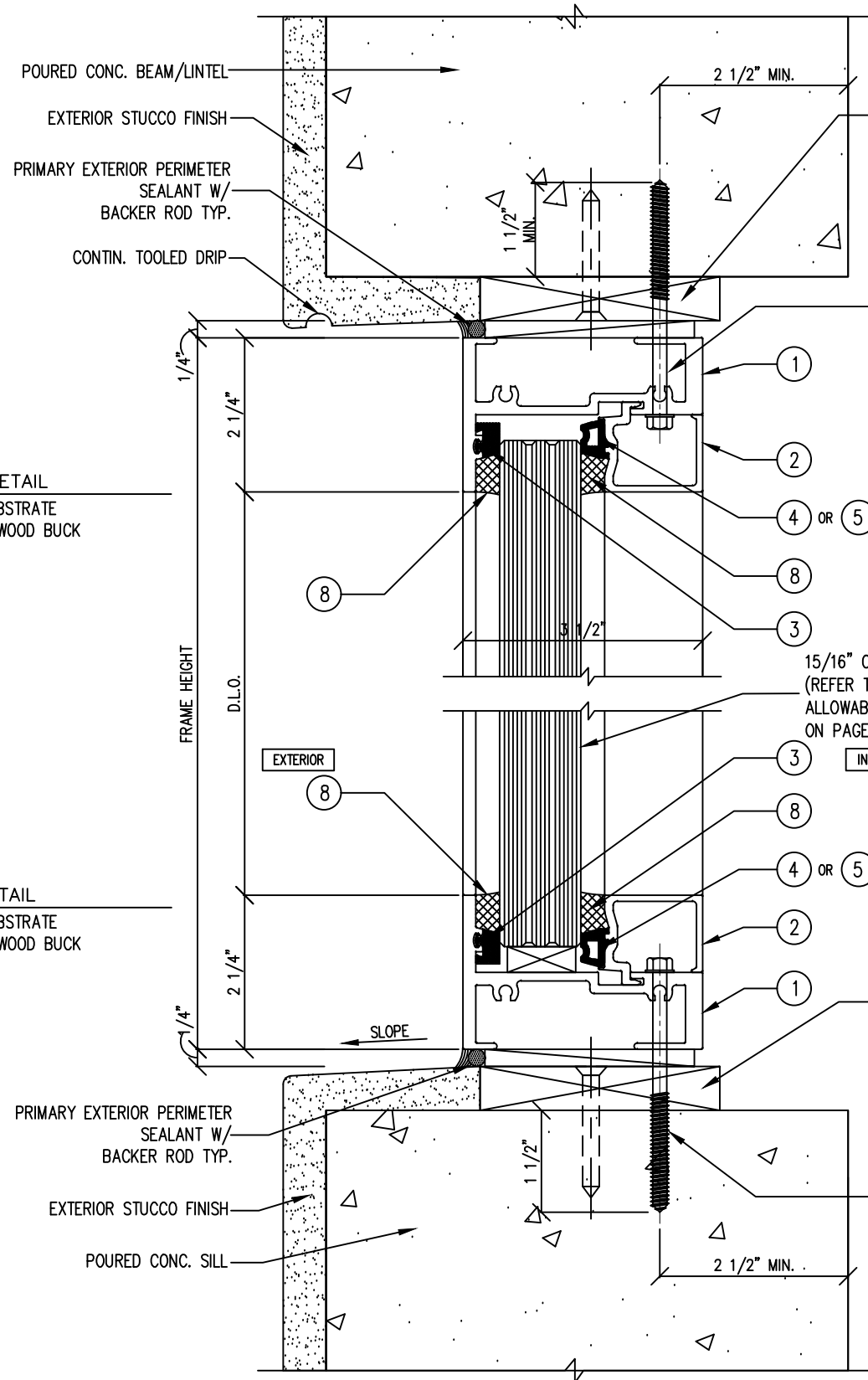


William D. Cook, PE, State of Florida,
Professional Engineer, License No. 43904

This document has been digitally signed and sealed
by William D. Cook on the date indicated in the
digital signature. Printed copies of this document
are not considered signed and sealed and the
signature must be verified on any electronic copies.

WILLIAM D. COOK P.E.
FLA P.E. #43904, FLA S.I. #2008

BROMLEY-COOK ENGINEERING, INC.
an NIVIS COMPANY
STRUCTURAL ENGINEERING SERVICES
5440 N.W. 33RD AVENUE SUITE 100
FORT LAUDERDALE, FLORIDA 33309
TEL: (954) 772-4624 FAX: (954) 772-4634



A HEAD DETAIL
6 CONC. SUBSTRATE W/ 1 X WOOD BUCK

B SILL DETAIL
6 CONC. SUBSTRATE W/ 1 X WOOD BUCK

PERIMETER SEALANTS:
PERIMETER SEALANTS MAY BE THE FOLLOWING:
DOW CORNING 795 SILICONE
TREMCO SPECTRUM SILICONE OR DYMONIC FC.
TREMCO DYMONIC 100 URETHANE.

ALTERNATE SEALANTS TO BE APPROVED BY EOR OR SPECIALTY ENGINEER.

NOTE:
BUCKS SHALL BE AS DESIGNED AND DETAILED BY SPECIALTY ENGINEER OR EOR.

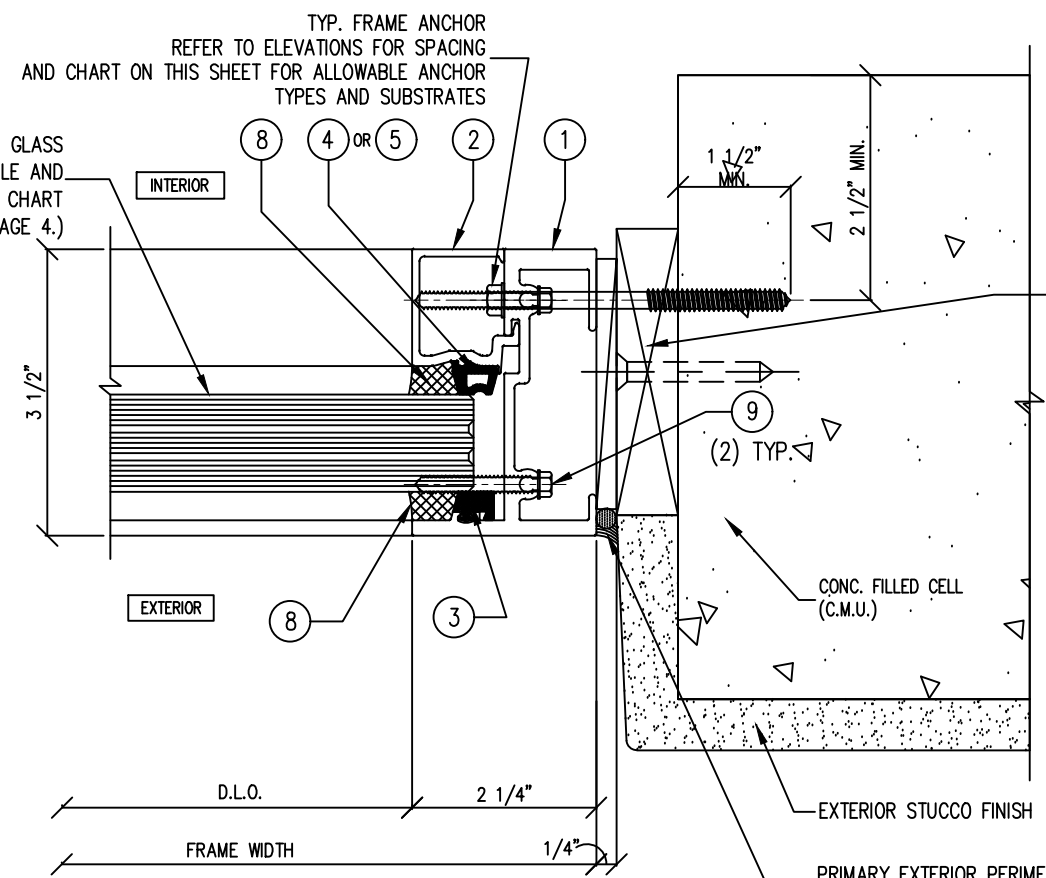
TYP. FRAME ANCHOR REFER TO ELEVATIONS FOR SPACING AND CHART ON THIS SHEET FOR ALLOWABLE ANCHOR TYPES AND SUBSTRATES

15/16" OR 1 3/16" THK. LAMINATED GLASS (REFER TO GLASS SCHEDULE AND ALLOWABLE SIZE/DESIGN PRESSURE CHART ON PAGE 4.)

15/16" OR 1 3/16" THK. LAMINATED GLASS (REFER TO GLASS SCHEDULE AND ALLOWABLE SIZE/DESIGN PRESSURE CHART ON PAGE 4.)

NOTE:
BUCKS SHALL BE AS DESIGNED AND DETAILED BY SPECIALTY ENGINEER OR EOR.

TYP. FRAME ANCHOR REFER TO ELEVATIONS FOR SPACING AND CHART ON THIS SHEET FOR ALLOWABLE ANCHOR TYPES AND SUBSTRATES



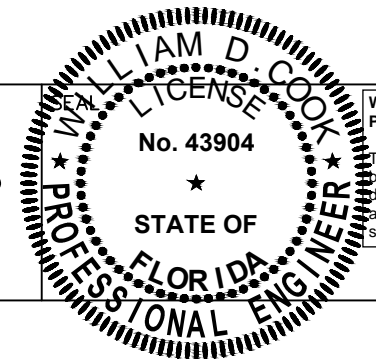
C JAMB DETAIL
6 CONC. SUBSTRATE W/ 1 X WOOD BUCK

NOTE:
BUCKS SHALL BE AS DESIGNED AND DETAILED BY SPECIALTY ENGINEER OR EOR.

PROJECT NAME: FS300 MAXIMUM VIEW FIXED WINDOW SYSTEM - L.M.I.		
DRAWING NUMBER: FS300MV-FWS.LMI	DRAW BY: M.G.	PRODUCT APPROVAL NO.: FL 27051.1
SHT. 6 OF 13	SCALE:	DATE: 04/24/2023



4250 CORAL RIDGE DRIVE
CORAL SPRINGS, FL 33065
PHONE: 954-784-6900
FAX: 954-688-9816

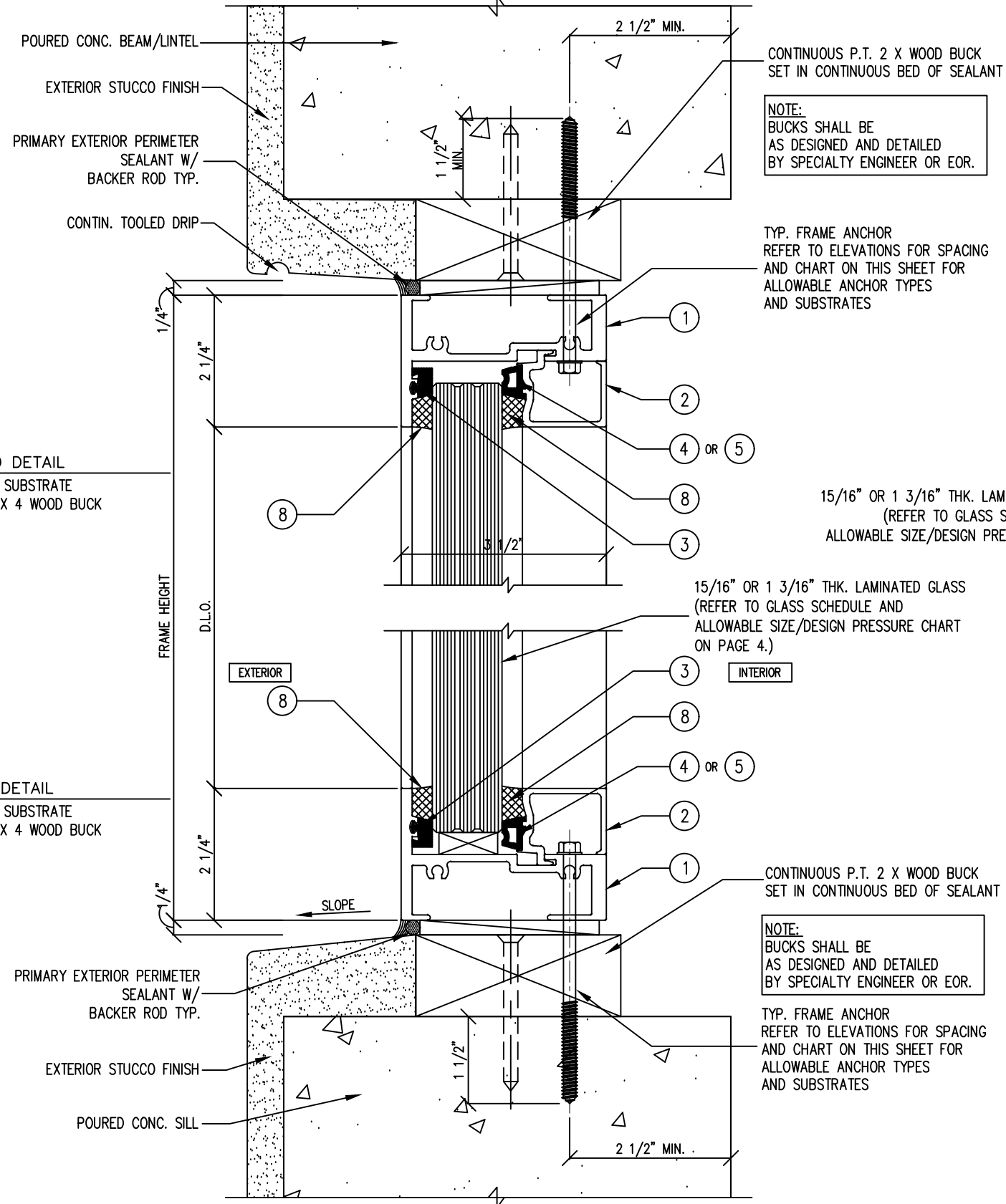


William D. Cook, PE, State of Florida,
Professional Engineer, License No. 43904

This document has been digitally signed and sealed by William D. Cook on the date indicated in the digital signature. Printed copies of this document are not considered signed and sealed and the signature must be verified on any electronic copies.

WILLIAM D. COOK P.E.
FLA P.E. #43904, FLA S.I. #2008

BROMLEY-COOK ENGINEERING, INC.
an NIVIS COMPANY
STRUCTURAL ENGINEERING SERVICES
5440 N.W. 33RD AVENUE SUITE 100
FORT LAUDERDALE, FLORIDA 33309
TEL: (954) 772-4624 FAX: (954) 772-4634



A HEAD DETAIL
7 CONC. SUBSTRATE
W/ 2 X 4 WOOD BUCK

B SILL DETAIL
7 CONC. SUBSTRATE
W/ 2 X 4 WOOD BUCK

PERIMETER SEALANTS:
PERIMETER SEALANTS MAY BE THE FOLLOWING:
DOW CORNING 795 SILICONE
TREMCO SPECTRUM SILICONE OR DYMONIC FC.
TREMCO DYMONIC 100 URETHANE.

ALTERNATE SEALANTS TO BE APPROVED
BY EOR OR SPECIALTY ENGINEER.

NOTE:
BUCKS SHALL BE
AS DESIGNED AND DETAILED
BY SPECIALTY ENGINEER OR EOR.

TYP. FRAME ANCHOR
REFER TO ELEVATIONS FOR SPACING
AND CHART ON THIS SHEET FOR
ALLOWABLE ANCHOR TYPES
AND SUBSTRATES

15/16" OR 1 3/16" THK. LAMINATED GLASS
(REFER TO GLASS SCHEDULE AND
ALLOWABLE SIZE/DESIGN PRESSURE CHART
ON PAGE 4.)

15/16" OR 1 3/16" THK. LAMINATED GLASS
(REFER TO GLASS SCHEDULE AND
ALLOWABLE SIZE/DESIGN PRESSURE CHART
ON PAGE 4.)

CONTINUOUS P.T. 2 X WOOD BUCK
SET IN CONTINUOUS BED OF SEALANT

NOTE:
BUCKS SHALL BE
AS DESIGNED AND DETAILED
BY SPECIALTY ENGINEER OR EOR.

TYP. FRAME ANCHOR
REFER TO ELEVATIONS FOR SPACING
AND CHART ON THIS SHEET FOR
ALLOWABLE ANCHOR TYPES
AND SUBSTRATES

TYP. FRAME ANCHOR
REFER TO ELEVATIONS FOR SPACING
AND CHART ON THIS SHEET FOR ALLOWABLE ANCHOR
TYPES AND SUBSTRATES

15/16" OR 1 3/16" THK. LAMINATED GLASS
(REFER TO GLASS SCHEDULE AND
ALLOWABLE SIZE/DESIGN PRESSURE CHART
ON PAGE 4.)

CONTINUOUS P.T. 2 X WOOD BUCK
SET IN CONTINUOUS BED OF SEALANT

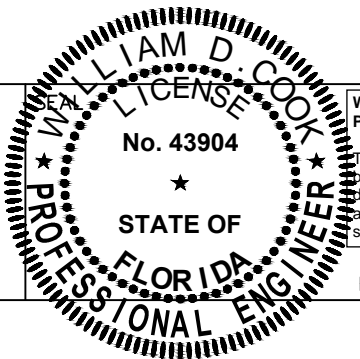
NOTE:
BUCKS SHALL BE
AS DESIGNED AND DETAILED
BY SPECIALTY ENGINEER OR EOR.

C JAMB DETAIL
7 CONC. SUBSTRATE
W/ 2 X WOOD BUCK

PROJECT NAME: FS300 MAXIMUM VIEW FIXED WINDOW SYSTEM - L.M.I.		
DRAWING NUMBER: FS300MV-FWS.LMI	DRAW BY: M.G.	PRODUCT APPROVAL NO.: FL 27051.1
SHT. 7 OF 13	SCALE:	DATE: 04/24/2023



4250 CORAL RIDGE DRIVE
CORAL SPRINGS, FL 33065
PHONE: 954-784-6900
FAX: 954-688-9816



William D. Cook, PE, State of Florida,
Professional Engineer, License No. 43904

This document has been digitally signed and sealed
by William D. Cook on the date indicated in the
digital signature. Printed copies of this document
are not considered signed and sealed and the
signature must be verified on any electronic copies.

WILLIAM D. COOK P.E.
FLA P.E. #43904, FLA S.I. #2008

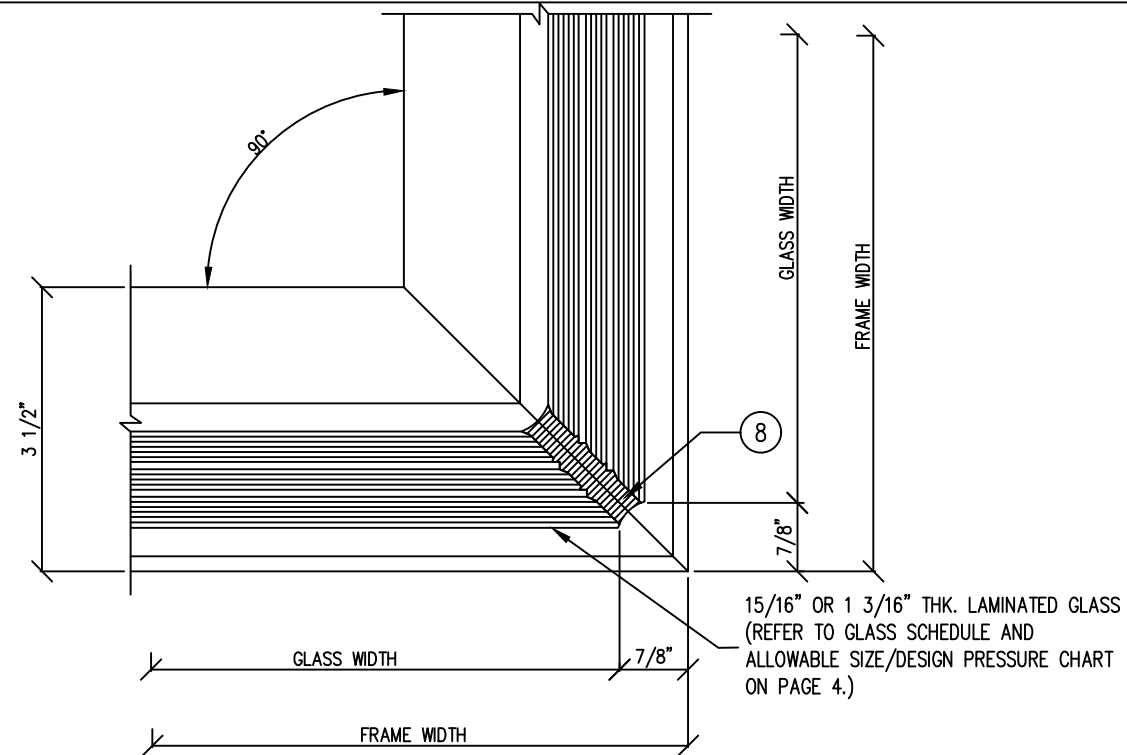
BROMLEY-COOK ENGINEERING, INC.
an NIVIS COMPANY
STRUCTURAL ENGINEERING SERVICES
5440 N.W. 33RD AVENUE SUITE 100
FORT LAUDERDALE, FLORIDA 33309
TEL: (954) 772-4624 FAX: (954) 772-4634

16GA MIN. METAL STUD FRAMING OR
1/8" MIN. THICKNESS STRUCTURAL
STEEL FRAMING AS DESIGNED BY
SPECIALTY ENGINEER OR EOR.

CONTINUOUS P.T. 2 X WOOD BUCK
SET IN CONTINUOUS BED OF SEALANT

NOTE:
BUCKS SHALL BE
AS DESIGNED AND DETAILED
BY SPECIALTY ENGINEER OR EOR.

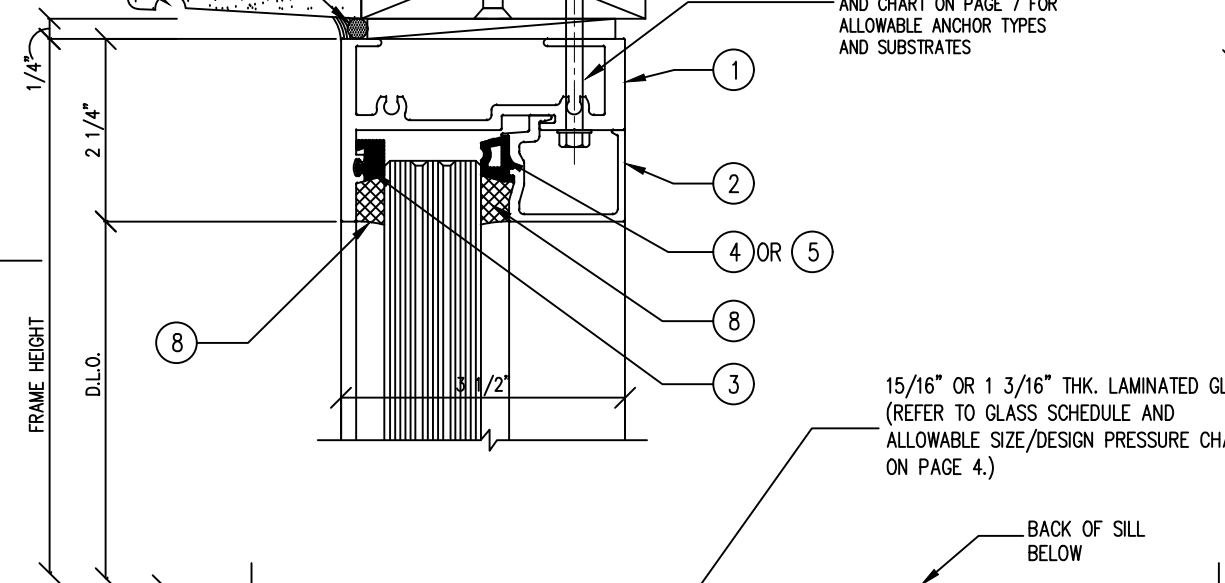
TYP. FRAME ANCHOR
REFER TO ELEVATIONS FOR SPACING
AND CHART ON PAGE 7 FOR
ALLOWABLE ANCHOR TYPES
AND SUBSTRATES



15/16" OR 1 3/16" THK. LAMINATED GLASS
(REFER TO GLASS SCHEDULE AND
ALLOWABLE SIZE/DESIGN PRESSURE CHART
ON PAGE 4.)

D BUTT JOINT
8

EXTERIOR STUCCO FINISH
PRIMARY EXTERIOR PERIMETER
SEALANT W/
BACKER ROD TYP.
CONTIN. TOOLED DRIP

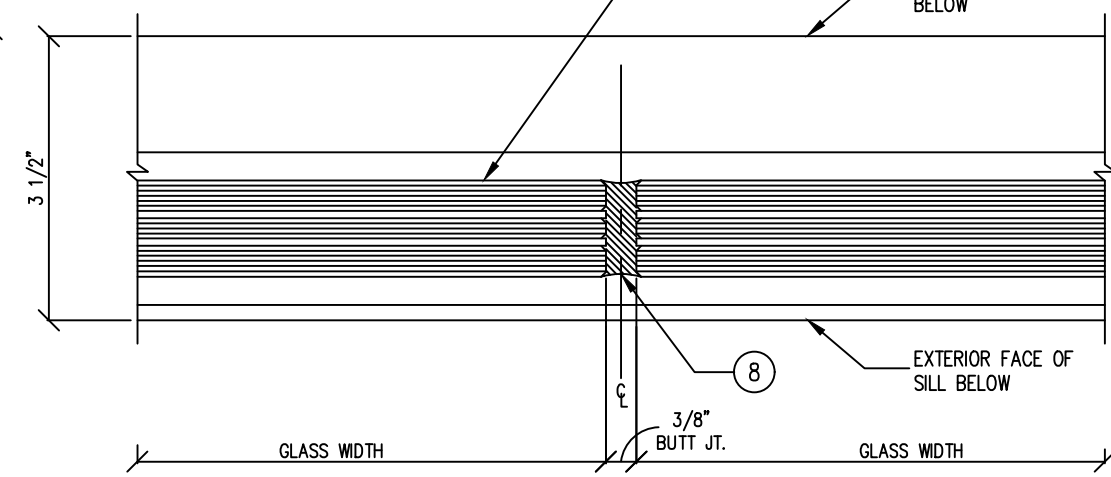


A HEAD DETAIL
8
STEEL SUBSTRATE
W/ 2 X WOOD BUCK

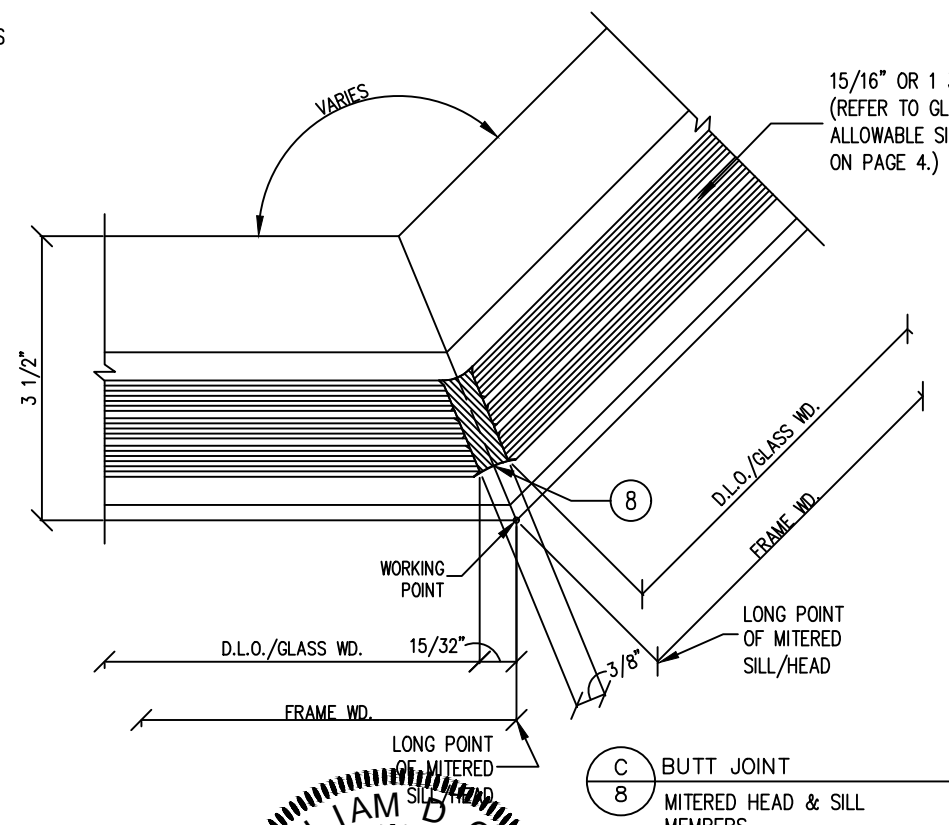
NOTE:
STEEL FRAMING MAY BE
USED AT SILLS & JAMBS

15/16" OR 1 3/16" THK. LAMINATED GLASS
(REFER TO GLASS SCHEDULE AND
ALLOWABLE SIZE/DESIGN PRESSURE CHART
ON PAGE 4.)

PERIMETER SEALANTS:
PERIMETER SEALANTS MAY BE THE FOLLOWING:
DOW CORNING 795 SILICONE
TREMCO SPECTRUM SILICONE OR DYMONIC FC.
TREMCO DYMONIC 100 URETHANE.
ALTERNATE SEALANTS TO BE APPROVED
BY EOR OR SPECIALTY ENGINEER.

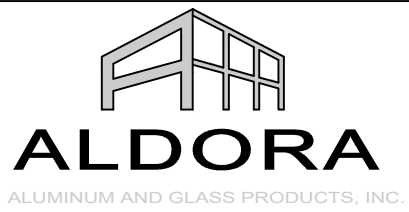


B BUTT JOINT
8

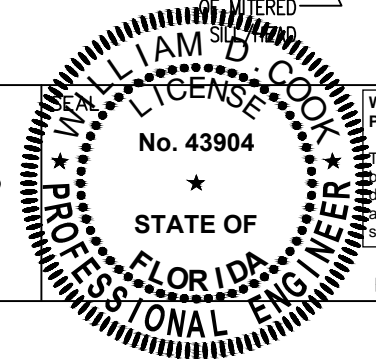


C BUTT JOINT
8
MITERED HEAD & SILL
MEMBERS

PROJECT NAME: FS300 MAXIMUM VIEW FIXED WINDOW SYSTEM - L.M.I.		
DRAWING NUMBER: FS300MV-FWS.LMI	DRAW BY: M.G.	PRODUCT APPROVAL NO.: FL 27051.1
SHT. 8 OF 13	SCALE:	DATE: 04/24/2023



4250 CORAL RIDGE DRIVE
CORAL SPRINGS, FL 33065
PHONE: 954-784-6900
FAX: 954-688-9816



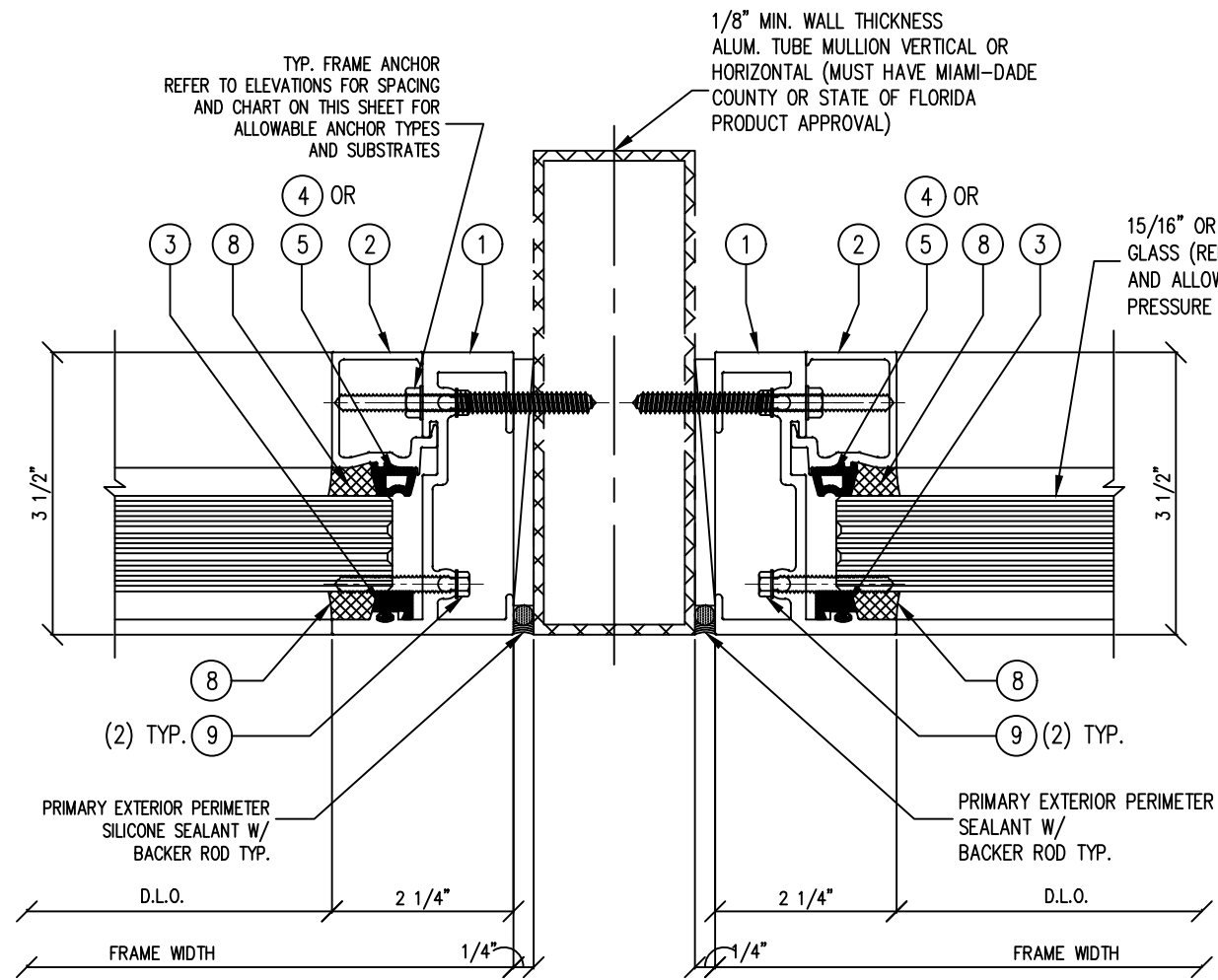
William D. Cook, PE, State of Florida,
Professional Engineer, License No. 43904
This document has been digitally signed and sealed
by William D. Cook on the date indicated in the
digital signature. Printed copies of this document
are not considered signed and sealed and the
signature must be verified on any electronic copies.
WILLIAM D. COOK P.E.
FLA P.E. #43904, FLA S.I. #2008

BROMLEY-COOK ENGINEERING, INC.
an NIVIS COMPANY
STRUCTURAL ENGINEERING SERVICES
5440 N.W. 33RD AVENUE SUITE 100
FORT LAUDERDALE, FLORIDA 33309
TEL: (954) 772-4624 FAX: (954) 772-4634

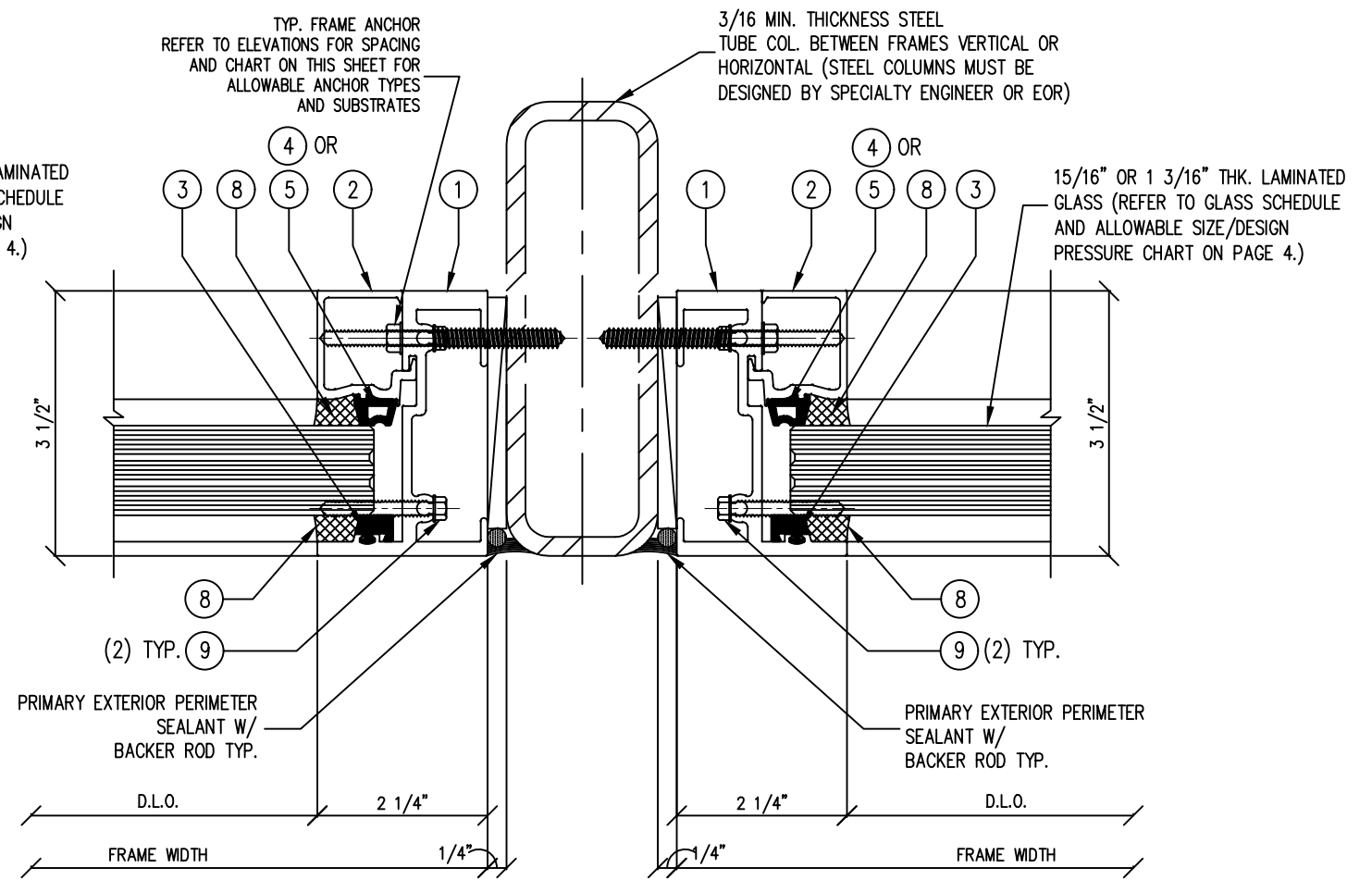
NOTE:
 FRAMES MAY BE INSTALLED SIDE BY SIDE OR
 STACKED VERTICALLY USING MIAMI-DADE COUNTY
 OR STATE OF FLORIDA APPROVED VERTICAL OR
 HORIZONTAL MULLION TUBES.
 STEEL COLUMNS OR BEAMS
 DESIGNED BY SPECIALTY ENGINEER OR ENGINEER OF RECORD
 MAY ALSO BE USED BETWEEN FRAMES.

PERIMETER SEALANTS:
 PERIMETER SEALANTS MAY BE THE FOLLOWING:
 DOW CORNING 795 SILICONE
 TREMCO SPECTRUM SILICONE OR DYMONIC FC.
 TREMCO DYMONIC 100 URETHANE.

ALTERNATE SEALANTS TO BE APPROVED
 BY EOR OR SPECIALTY ENGINEER.



A VERTICAL MULLION
 9 "OPTIONAL"

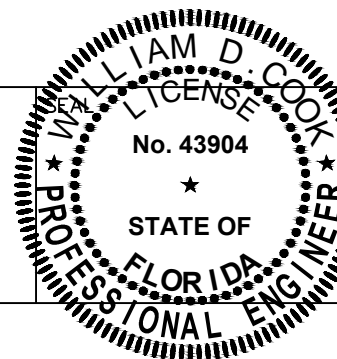


B VERTICAL MULLION
 9 "OPTIONAL"

PROJECT NAME: FS300 MAXIMUM VIEW FIXED WINDOW SYSTEM - L.M.I.		
DRAWING NUMBER: FS300MV-FWS.LMI	DRAW BY: M.G.	PRODUCT APPROVAL NO.: FL 27051.1
SHT. 9 OF 13	SCALE:	DATE: 04/24/2023

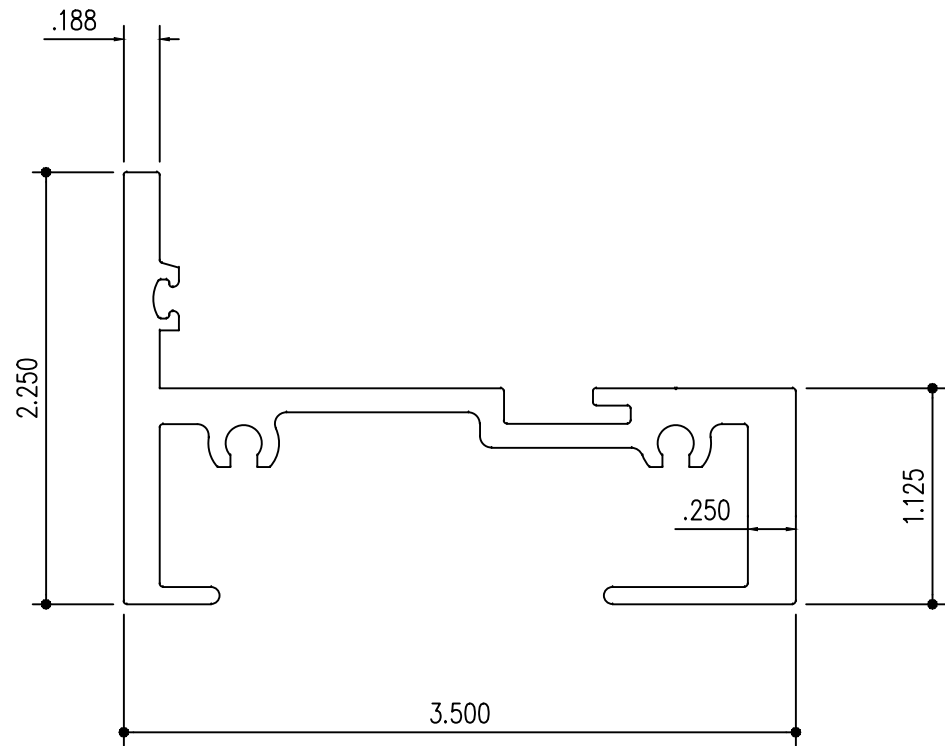


4250 CORAL RIDGE DRIVE
 CORAL SPRINGS, FL 33065
 PHONE: 954-784-6900
 FAX: 954-688-9816

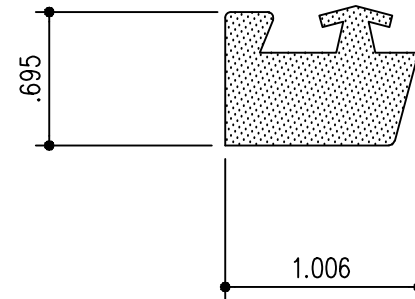


William D. Cook, PE, State of Florida,
 Professional Engineer, License No. 43904
 This document has been digitally signed and sealed
 by William D. Cook on the date indicated in the
 digital signature. Printed copies of this document
 are not considered signed and sealed and the
 signature must be verified on any electronic copies.
 WILLIAM D. COOK P.E.
 FLA P.E. #43904, FLA S.I. #2008

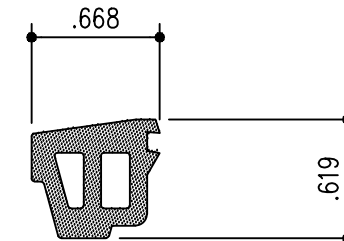
BROMLEY-COOK ENGINEERING, INC.
 an NIVIS COMPANY
STRUCTURAL ENGINEERING SERVICES
 5440 N.W. 33RD AVENUE SUITE 100
 FORT LAUDERDALE, FLORIDA 33309
 TEL: (954) 772-4624 FAX: (954) 772-4634



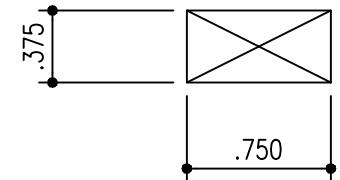
① SMI-451
HEAD, SILL AND JAMB



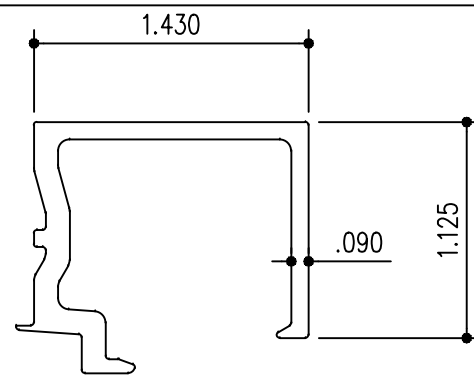
③ SMI-G21 SPACER
OUTER GASKET



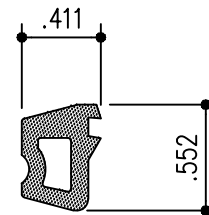
⑤ SMI-G23 WEDGE
GASKET (@ INTERIOR)



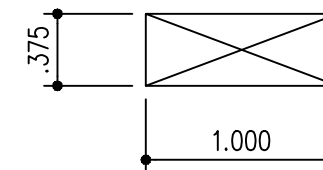
⑦ SMI-SB12
SETTING BLOCK



② SMI-452
GLASS STOP



④ SMI-G22 WEDGE
GASKET (@ INTERIOR)



⑥ SMI-SB11
SETTING BLOCK
70 DUROMETER (SHORE A)

PROJECT NAME: FS300 MAXIMUM VIEW FIXED WINDOW SYSTEM - L.M.I.

DRAWING NUMBER: FS300MV-FWS.LMI

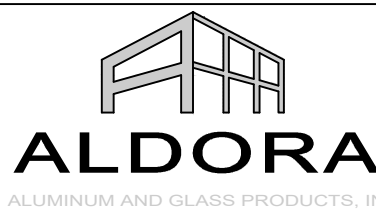
SHT. 10 OF 13

DRAW BY: M.G.

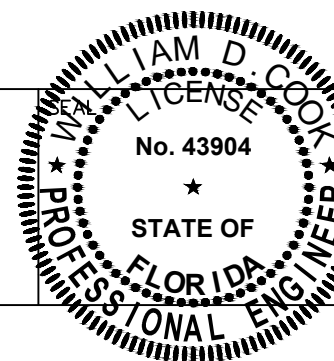
SCALE:

PRODUCT APPROVAL NO.: FL 27051.1

DATE: 04/24/2023

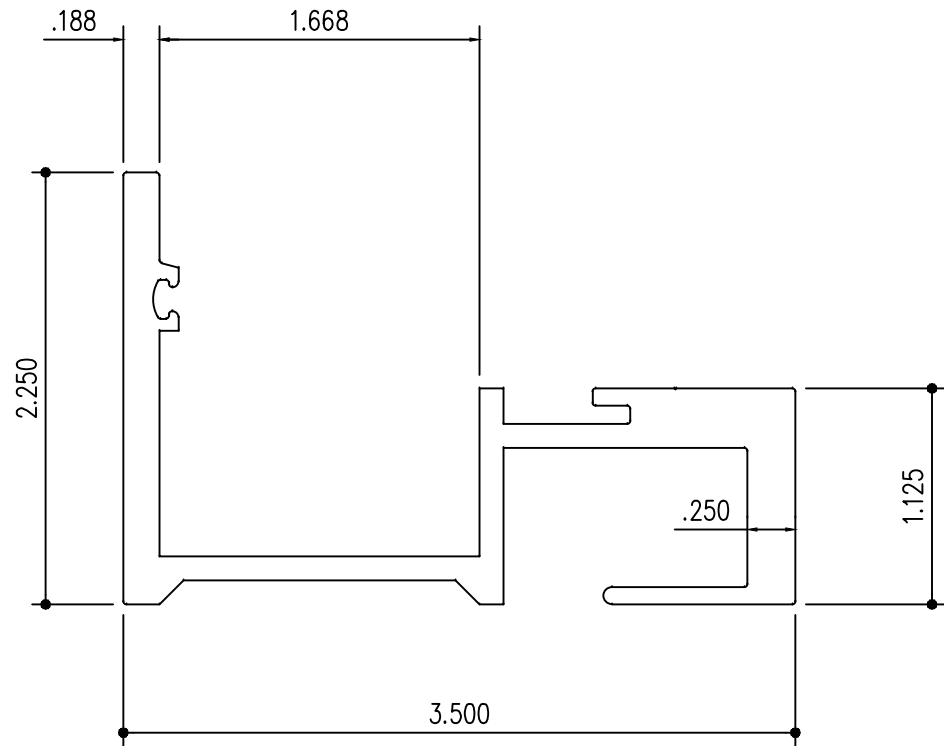


4250 CORAL RIDGE DRIVE
CORAL SPRINGS, FL 33065
PHONE: 954-784-6900
FAX: 954-688-9816

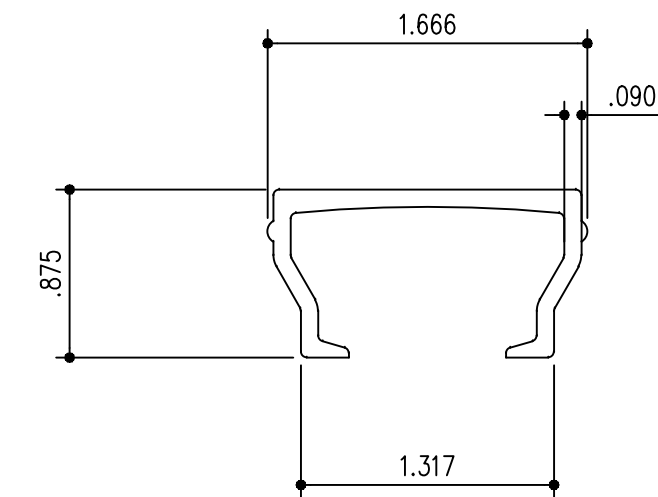


William D. Cook, PE, State of Florida,
Professional Engineer, License No. 43904
This document has been digitally signed and sealed
by William D. Cook on the date indicated in the
digital signature. Printed copies of this document
are not considered signed and sealed and the
signature must be verified on any electronic copies.
WILLIAM D. COOK P.E.
FLA P.E. #43904, FLA S.I. #2008

BROMLEY-COOK ENGINEERING, INC.
an NIVIS COMPANY
STRUCTURAL ENGINEERING SERVICES
5440 N.W. 33RD AVENUE SUITE 100
FORT LAUDERDALE, FLORIDA 33309
TEL: (954) 772-4624 FAX: (954) 772-4634



①A SMI-453
OPTIONAL "DEEP POCKET"
HEAD, SILL AND JAMB



②A SMI-454
GLASS SEETING CHAIR FOR
OPTIONAL "DEEP POCKET"
HEAD, SILL AND JAMB

BILL OF MATERIALS

ITEM #	PART #	QTY.	DESCRIPTION	MATERIAL	MANF. / SUPPLIER / REMARKS
1	SMI-451	AS REQ'D	TYP. FRAME HEAD, SILL AND JAMB	6063-T6	-
1A	SMI-453	AS REQ'D	OPTIONAL "DEEP POCKET" FRAME	6063-T6	-
2	SMI-452	AS REQ'D	TYP. GLASS STOP	6063-T6	-
2A	SMI-454	2 PER EA. LITE @ 1/4 PTS.	TYP. GLASS SETTING CHAIR (6" LONG MIN.)	6063-T6	-
3	SMI-G21	AS REQ'D	OUTER PUSH IN SPACER	EPDM	MELTPPOINT PLASTICS INTERNATIONAL
4	SMI-G22	AS REQ'D	INNER WEDGE SPACER	SANTOPRENE	MELTPPOINT PLASTICS INTERNATIONAL
5	SMI-G23	AS REQ'D	INNER WEDGE SPACER	SANTOPRENE	MELTPPOINT PLASTICS INTERNATIONAL
6	SMI-SB11	2 PER EA. LITE @ 1/4 PTS.	SETTING BLOCKS (3/8" X 1" X 4" LG.)	EPDM	FRANK LOWE
7	SMI-SB12	2 PER EA. LITE @ 1/4 PTS.	SETTING BLOCKS (3/8" X 3/4" X 4" LG.)	EPDM	FRANK LOWE
8	995	AS REQ'D	STRUCTURAL SILICONE	SILICONE	DOW CORNING
9	#12 X 1 1/2"	2/CORNER	TYPICAL FRAME ASSEMBLY SCREWS (OPTIONAL)	ST. STEEL	HEX. HEAD MACHINE SCREW

PROJECT NAME: FS300 MAXIMUM VIEW FIXED WINDOW SYSTEM - L.M.I.

DRAWING NUMBER: FS300MV-FWS.LMI

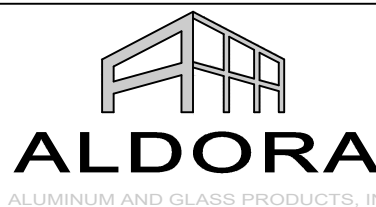
SHT. 11 OF 13

DRAW BY: M.G.

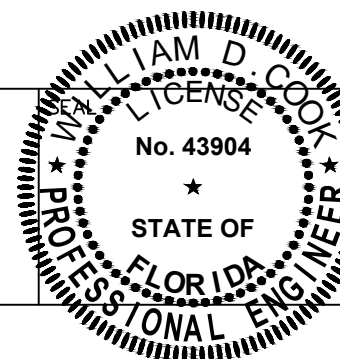
SCALE:

PRODUCT APPROVAL NO.: FL 27051.1

DATE: 04/24/2023

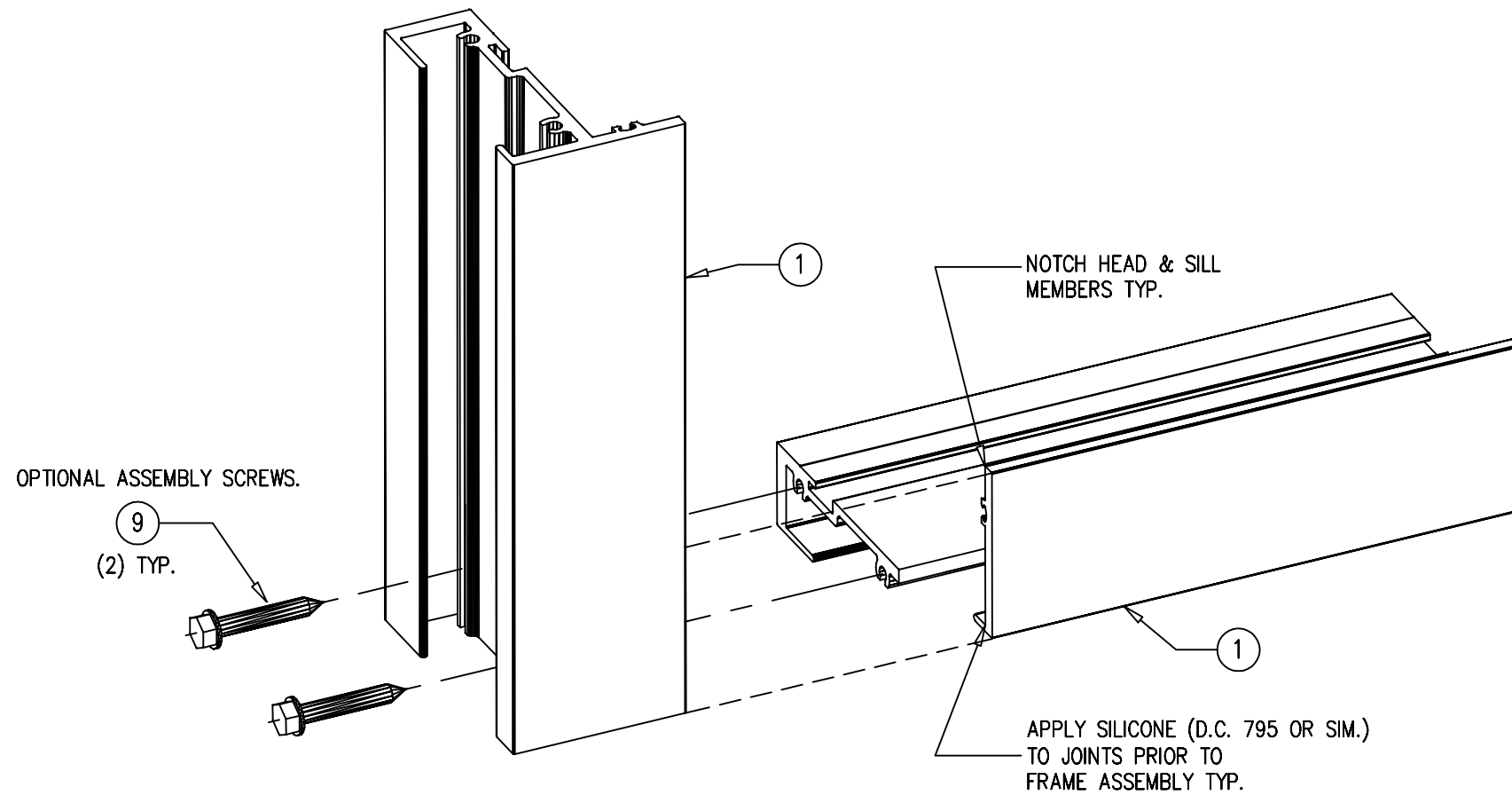


4250 CORAL RIDGE DRIVE
CORAL SPRINGS, FL 33065
PHONE: 954-784-6900
FAX: 954-688-9816



William D. Cook, PE, State of Florida,
Professional Engineer, License No. 43904
This document has been digitally signed and sealed
by William D. Cook on the date indicated in the
digital signature. Printed copies of this document
are not considered signed and sealed and the
signature must be verified on any electronic copies.
WILLIAM D. COOK P.E.
FLA P.E. #43904, FLA S.I. #2008

BROMLEY-COOK ENGINEERING, INC.
an N|V|5 COMPANY
STRUCTURAL ENGINEERING SERVICES
5440 N.W. 33RD AVENUE SUITE 100
FORT LAUDERDALE, FLORIDA 33309
TEL: (954) 772-4624 FAX: (954) 772-4634

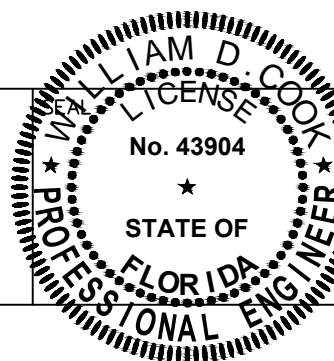


A
11 FRAME CORNER ASS'Y DETAIL

PROJECT NAME: FS300 MAXIMUM VIEW FIXED WINDOW SYSTEM - L.M.I.		
DRAWING NUMBER: FS300MV-FWS.LMI	DRAW BY: M.G.	PRODUCT APPROVAL NO.: FL 27051.1
SHT. 12 OF 13	SCALE:	DATE: 04/24/2023



4250 CORAL RIDGE DRIVE
CORAL SPRINGS, FL 33065
PHONE: 954-784-6900
FAX: 954-688-9816



William D. Cook, PE, State of Florida,
Professional Engineer, License No. 43904
This document has been digitally signed and sealed
by William D. Cook on the date indicated in the
digital signature. Printed copies of this document
are not considered signed and sealed and the
signature must be verified on any electronic copies.
WILLIAM D. COOK P.E.
FLA P.E. #43904, FLA S.I. #2008

BROMLEY-COOK ENGINEERING, INC.
an N|V|5 COMPANY
STRUCTURAL ENGINEERING SERVICES
5440 N.W. 33RD AVENUE SUITE 100
FORT LAUDERDALE, FLORIDA 33309
TEL: (954) 772-4624 FAX: (954) 772-4634