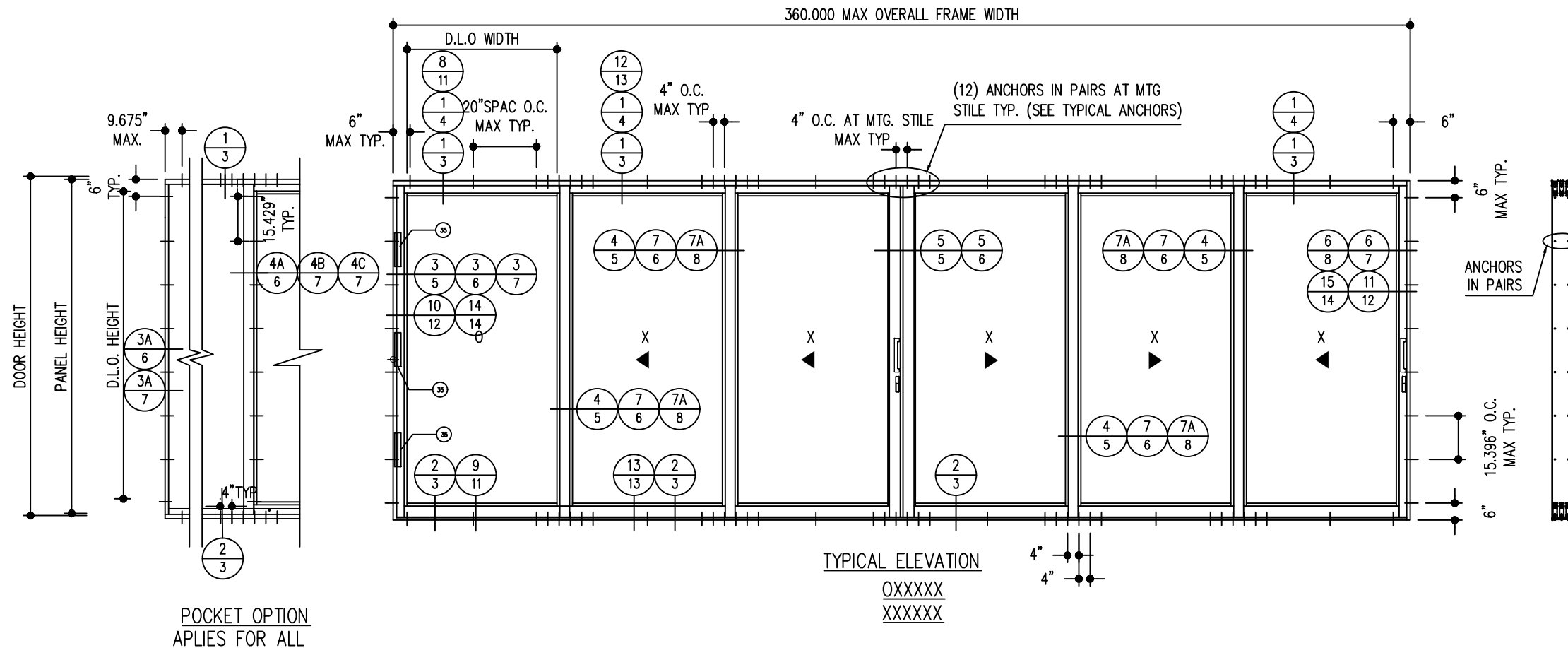


# VISTA VIEW SLIDING GLASS DOOR

THESE DOORS ARE RATED FOR LARGE & SMALL MISSILE IMPACT.

1. THIS PRODUCT IS DESIGNED AND MANUFACTURED TO COMPLY WITH THE CURRENT FLORIDA BUILDING CODE (FBC 2020) 7th EDITION, INCLUDING THE HIGH VELOCITY HURRICANE ZONE (HVHZ).
2. GLAZING SYSTEM TESTED FOR LARGE MISSILE IMPACT AS PER MIAMI-DADE COUNTY PROTOCOLS (TAS 201, 202 & 203). HURRICANE WIND-BORNE DEBRIS PROTECTION IS NOT REQUIRED.
3. CODE REQUIREMENTS FOR SAFEGUARDS MUST BE OBSERVED.
4. BUCKS ARE BY OTHERS AND MUST BE ANCHORED PROPERLY TO THE STRUCTURE. BUCKS AND BUCKING SHALL BE DESIGNED BY SPECIALTY ENGINEER OR E.O.R.
5. ANCHORS SHALL BE AS LISTED IN CHARTS AND SPACED AS DETAILED.
6. FRAME ANCHOR EMBEDMENT TO BASE MATERIAL SHALL BE BEYOND WALL DRESSING OR STUCCO AS PER APPROVED FRAME ANCHOR CHARTS ON PAGES 5, 6, 7 & 9.
7. ALL SUBSTRATES, BUCKING OR ANCHOR CONDITIONS SHALL BE QUALIFIED BY A SPECIALTY ENGINEER OR E.O.R.
8. ALL ALUMINUM FRAMES SHALL BE ISOLATED FROM STEEL AND CONCRETE WITH HIGH STRENGTH STRUCTURAL PLASTIC SHIMS OR AS PER FBC.
9. PANEL WIDTHS SMALLER THAN 36" MUST BE VERIFIED FOR COMPLIANCE WITH EGRESS REQUIREMENTS PER FLORIDA BUILDING CODE, AS APPLICABLE.
10. ONE-THIRD (33%) INCREASE IN ALLOWABLE STRESS FOR WIND LOAD DESIGN NOT USED HAS BEEN USED.

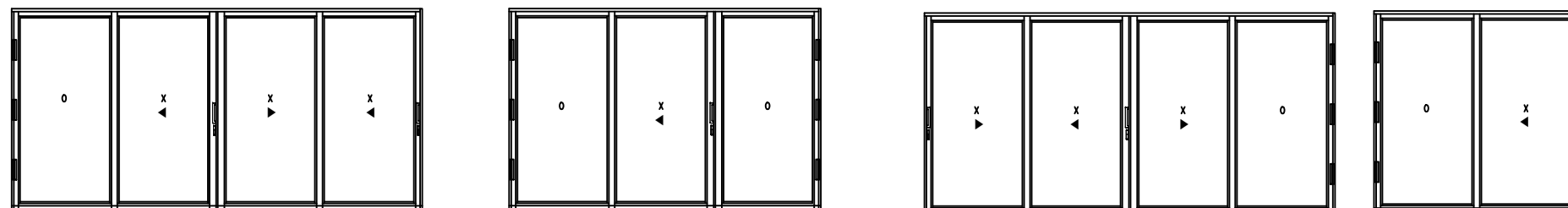


DAYLITE OPENINGS:  
 D.L.O. HEIGHT = PANEL HEIGHT - 9 7/16"  
 D.L.O. WIDTH = PANEL WIDTH - 9"  
 D.L.O. WIDTH = PANEL WIDTH ASTRAGAL - 9 3/4"  
 PANEL HEIGHT = DOOR HEIGHT - 1 7/8"

ALL DOOR INSTALLATION MUST BE IN ACCORDANCE WITH ALDORA INSTALLATIONS INSTRUCTIONS.  
 ALL SEALANTS TO BE DC 795 SILICONE OR EQUAL.  
 (EQUAL SEALANTS MUST BE TESTED BY SEALANT MANUFACTURER FOR COMPATIBILITY & ADHESION).

### INSTRUCTIONS:

- STEP 1 - DETERMINE DESIGN WIND LOAD REQUIREMENT BASED ON WIND VELOCITY, BLDG. HEIGHT, WIND ZONE. USING APPLICABLE ASCE 7 STANDARDS FOR COMPONENTS AND CLADDING.
- STEP 2 - CHECK DESIGN PRESSURE CAPACITY FOR DESIRED GLASS TYPE/SIZE USING CHARTS ON SHEET 2. THE DESIGN PRESSURE ON THE CHART SHOULD BE EQUAL TO OR EXCEED THE PROJECT DESIGN PRESSURE.
- STEP 3 - SELECT ANCHOR OPTION(S) BASED ON SUBSTRATES FROM "FRAME ANCHOR TYPES" SCHEDULE ON SHEET 3.



OXXX  
 XXXX

OXO  
 XXX

XXXO

OX  
 XX

APPROVED CONFIGURATIONS

PROJECT NAME: VISTA VIEW SLIDING GLASS DOOR - LMI		
DRAWING NUMBER: VMSGD2022-03-25	DRAW BY: D.O.P.	PRODUCT APPROVAL NO.: FL 41125.1
SHT. 1 OF 17	SCALE:	DATE: 05/11/2023



4250 CORAL RIDGE DRIVE  
 CORAL SPRINGS, FL 33065  
 PHONE: 954-784-6900  
 FAX: 954-688-9816

SEAL  
 William D. Cook, PE, State of Florida, Professional Engineer License No. 43904  
 This document has been digitally signed and sealed by William D. Cook on the date indicated in the digital signature. Printed copies of this document are not considered signed and sealed and the signature must be verified on any electronic copies.

**BROMLEY-COOK ENGINEERING, INC.**  
**STRUCTURAL ENGINEERING SERVICES**  
 5440 N.W. 33RD AVENUE SUITE 100  
 FORT LAUDERDALE, FLORIDA 33309  
 TEL: (954) 772-4624 FAX: (954) 772-4634

PANEL WIDTH (IN)	DOOR HEIGHT (IN)	ALL GLASS TYPES W/OUT REINFORCED INTERLOCKS		ALL GLASS TYPES WITH REINFORCED INTERLOCKS		ALL GLASS TYPES WITH LITE ASTRAGAL MEETING STYLE	
		PSF (+)	PSF (-)	PSF (+)	PSF (-)	PSF (+)	PSF (-)
42	84	68	68	80	105	75	75
48		68	68	80	105	75	75
54		67	67	80	98	75	75
60		60	60	80	88	-	-
66		55	55	80	80	-	-
72		50	50	74	74	-	-
78		46	46	68	68	-	-
42	90	68	68	80	105	75	75
48		68	68	80	105	75	75
54		67	67	80	98	75	75
60		60	60	80	88	-	-
66		55	55	80	80	-	-
72		50	50	74	74	-	-
78		46	46	68	68	-	-
42	98	68	68	80	105	75	75
50		68	68	80	105	75	75
54		67	67	80	98	-	-
60		60	60	80	88	-	-
66		55	55	80	80	-	-
70		52	52	76	76	-	-
78		46	46	68	68	-	-
42	102	68	68	80	105	-	-
48		68	68	80	105	-	-
54		67	67	80	98	-	-
60		60	60	80	88	-	-
66		55	55	80	80	-	-
72		50	50	74	74	-	-
78		46	46	68	68	-	-
42	108	68	68	80	105	-	-
48		68	68	80	105	-	-
54		66	66	80	97	-	-
60		60	60	80	88	-	-
64		56	56	80	83	-	-
72		50	50	74	74	-	-
78		46	46	68	68	-	-
42	114	68	68	80	105	-	-
48		68	68	80	103	-	-
54		65	65	80	95	-	-
60		60	60	80	88	-	-
63		57	57	80	84	-	-
72		50	50	74	74	-	-
78		46	46	68	68	-	-
42	120	68	68	80	105	-	-
48		68	68	80	102	-	-
54		64	64	80	94	-	-
60		59	59	80	87	-	-
62.75		58	58	80	85	-	-

PANEL WIDTH NOMINAL =  $\frac{\text{OVERALL DOOR WIDTH}}{\text{NUMBER OF PANELS}}$   
PANEL HEIGHT = DOOR HEIGHT - 1 7/8"

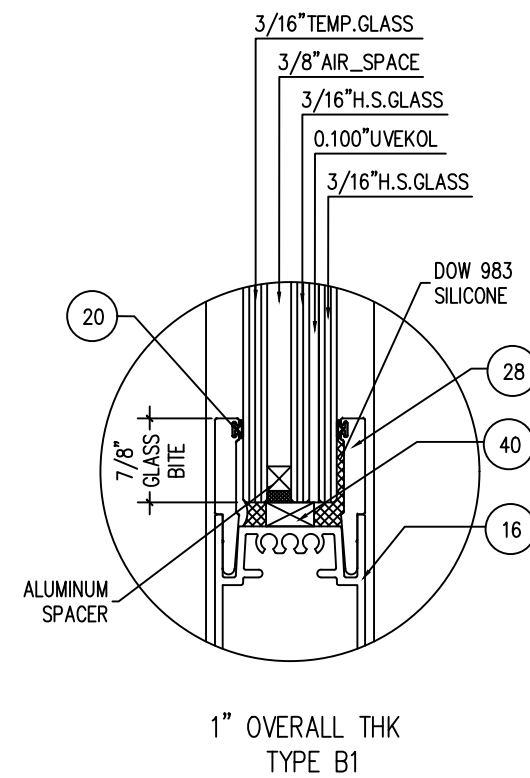
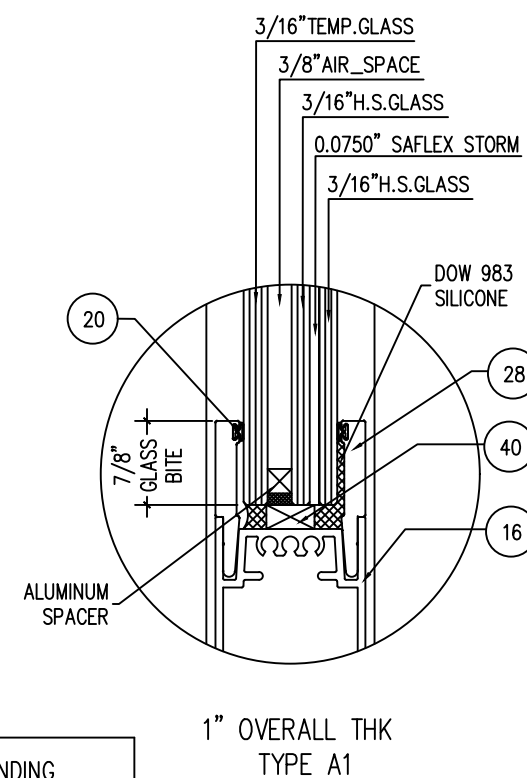
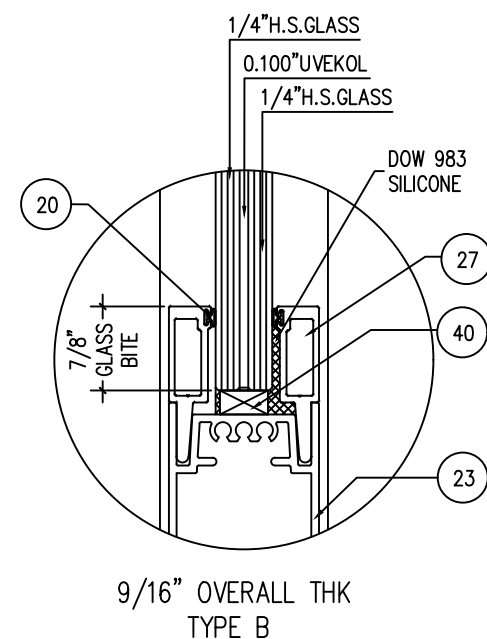
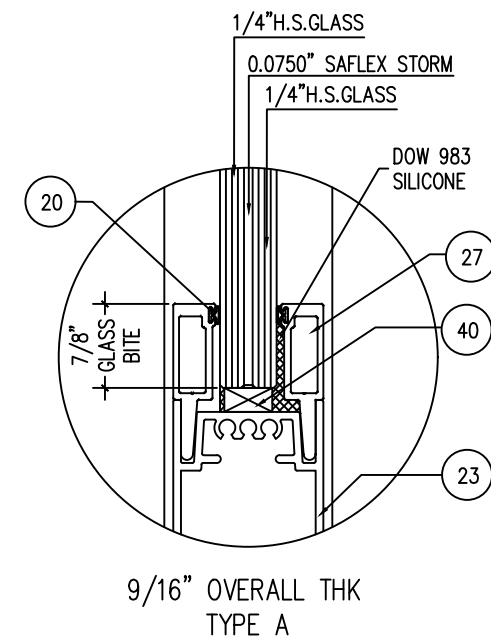
1.75" SILL HEIGHT = +40 PSF

1.75" SILL HEIGHT CAN BE USED FOR INSTALLATIONS WHERE WATER INFILTRATION RESISTANCE IS NOT REQUIRED OR WHERE OVERHANG RATIO COMPLIES WITH FBC REQUIREMENTS.

NOTE:  
GLASS CAPACITIES ON THIS SHEET ARE BASED ON ASTM E1300-09 (3 SEC. GUSTS) AND FLORIDA BUILDING COMMISSION.  
DECLARATORY STATEMENT DCA05-DEC-219.

WATER INFILTRATION RESISTANCE

RISER	ALLOWABLE WATER RESISTANCE PRESSURE	CORRESPONDING DESIGN WIND PRESSURE
STANDARD SILL RISER, 3.5"	+12 PSF	80 PSF
LOW SILL RISER, 1.75"	+6 PSF	40 PSF



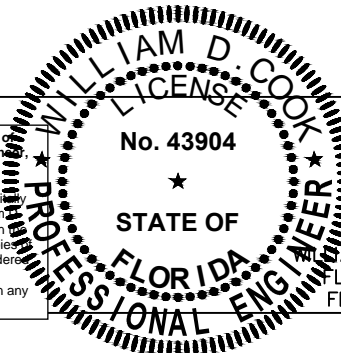
GLAZING OPTIONS

PROJECT NAME: VISTA VIEW SLIDING GLASS DOOR - LMI		
DRAWING NUMBER: VMSGD2022-03-25	DRAW BY: D.O.P.	PRODUCT APPROVAL NO.: FL 41125.1
SHT. 2 OF 17	SCALE:	DATE: 05/11/2023



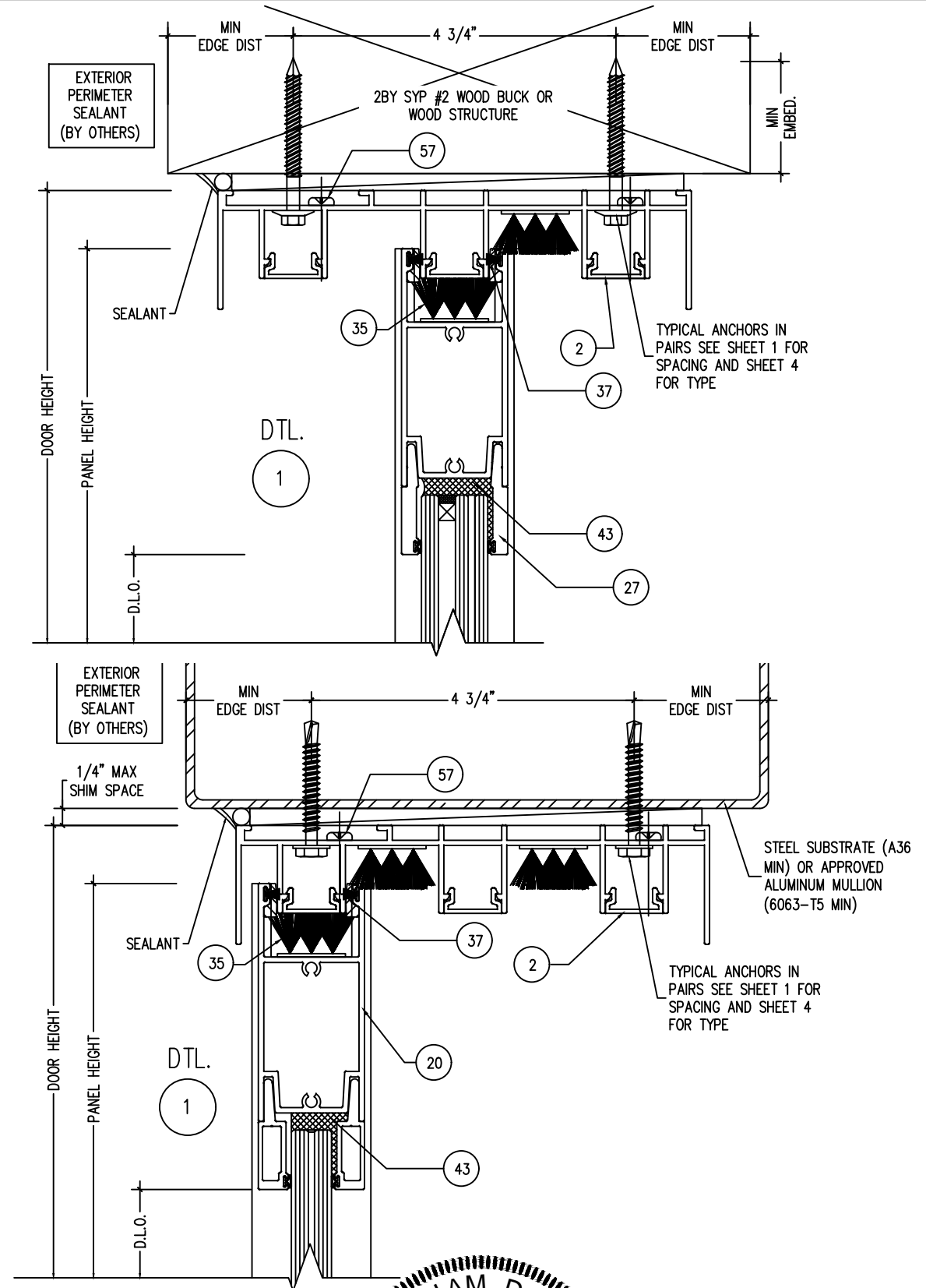
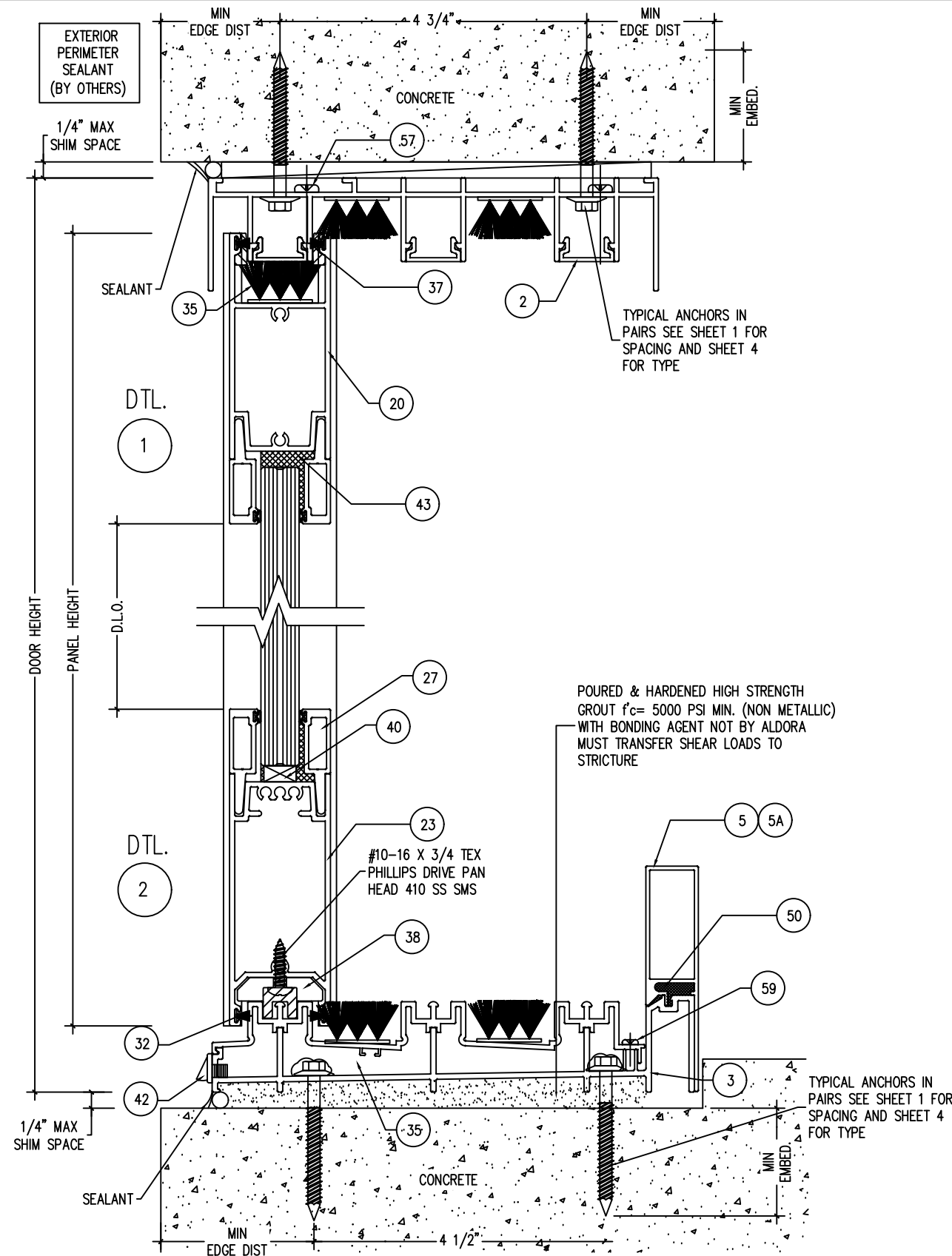
4250 CORAL RIDGE DRIVE  
CORAL SPRINGS, FL 33065  
PHONE: 954-784-6900  
FAX: 954-688-9816

SEAL  
William D. Cook, PE, State of Florida, Professional Engineer License No. 43904  
This document has been digitally signed and sealed by William D. Cook on the date indicated in the digital signature. Printed copies of this document are not considered signed and sealed and the signature must be verified on any electronic copies.



WILLIAM D. COOK P.E.  
FLA P.E. #43904  
FLA S.I. #2008

**BROMLEY-COOK ENGINEERING, INC.**  
**STRUCTURAL ENGINEERING SERVICES**  
5440 N.W. 33RD AVENUE SUITE 100  
FORT LAUDERDALE, FLORIDA 33309  
TEL: (954) 772-4624 FAX: (954) 772-4634



PROJECT NAME: VISTA VIEW SLIDING GLASS DOOR - LMI		
DRAWING NUMBER: VSGD2022-03-25	DRAW BY: D.O.P.	PRODUCT APPROVAL NO.: FL 41125.1
SHT. 3 OF 17	SCALE:	DATE: 05/11/2023

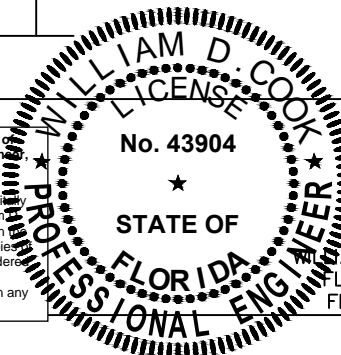


4250 CORAL RIDGE DRIVE  
CORAL SPRINGS, FL 33065  
PHONE: 954-784-6900  
FAX: 954-688-9816

SEAL

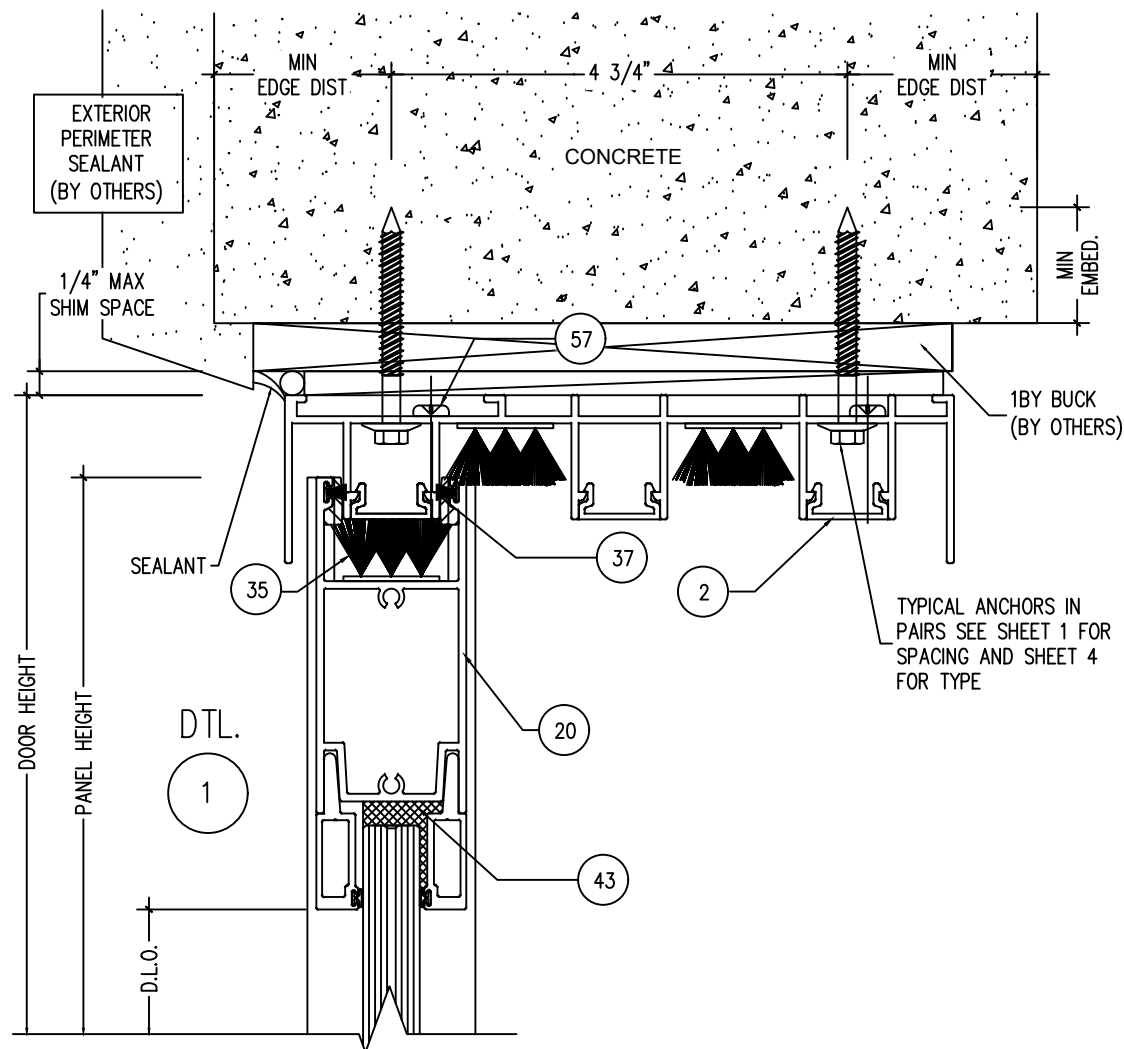
William D. Cook, PE, State of Florida, Professional Engineer License No. 43904

This document has been digitally signed and sealed by William D. Cook on the date indicated in the digital signature. Printed copies of this document are not considered signed and sealed and the signature must be verified on any electronic copies.



WILLIAM D. COOK P.E.  
FLA P.E. #43904  
FLA S.I. #2008

**BROMLEY-COOK ENGINEERING, INC.**  
STRUCTURAL ENGINEERING SERVICES  
5440 N.W. 33RD AVENUE SUITE 100  
FORT LAUDERDALE, FLORIDA 33309  
TEL: (954) 772-4624 FAX: (954) 772-4634



AT HEAD/JAMBS/SILL

TYPE 'A' - 1/4" DIA. ULTRACON+ BY DEWALT (Fu = 164 KSI, Fy = 148 KSI)

INTO 2BY WOOD BUCK OR WOOD STRUCTURE  
1-3/4" MIN THREAD PENETRATION INTO WOOD

THRU 1BY WOOD BUCK INTO CONCRETE  
1-3/4" MIN EMBED INTO CONCRETE

THRU 1BY BUCK OR DIRECTLY INTO GROUT FILLED CMU (AT JAMBS)  
1-1/4" MIN EMBED

TYPE 'B' - 1/4" DIA. ULTRACON+ BY DEWALT (Fu = 164 KSI, Fy = 148 KSI)

DIRECTLY INTO CONCRETE  
1-3/4" MIN EMBED INTO CONCRETE

TYPE 'C' - 1/4" DIA. SELF DRILLING SCREW (GRADE 5)

INTO F.B.C. APPROVED MULLION OR INTO METAL STRUCTURES  
(3) THREAD PENETRATION MIN BEYOND METAL THICKNESS  
ALUMINUM: 1/8" THK MIN (6063-T5 MIN)  
STEEL: 1/8" THK MIN (Fy=36 KSI MIN)  
(STEEL IN CONTACT WITH ALUMINUM TO BE PLATED OR PAINTED)

ANCHORS EDGE DISTANCE

INTO CONCRETE = 2-1/2" MIN

INTO WOOD STRUCTURE = 1" MIN

INTO METAL STRUCTURE = 3/4" MIN

WOOD AT HEAD OR JAMBS SG=0.55 MIN

CONCRETE AT HEAD, SILL OR JAMBS f'c = 3000 PSI MIN

C-90 HOLLOW/FILLED CMU AT JAMBS f'm = 2000 PSI MIN

ANCHORAGE NOTES:

1. SHIM AS SHOWN. ALL ANCHORS SHALL BE SHIMMED WITH HARD PLASTIC SHIMS. USE SHIMS WHERE GAP IS GREATER THAN 1/16".
2. TWO (2) ANCHORS ARE REQUIRED AT EACH ANCHOR LOCATION SHOWN.
3. EACH ROW OF INTERMEDIATE PANEL ANCHORS CONTAINS TWO ANCHORS.
4. ANCHOR CLUSTER IS TOTAL NUMBER OF ANCHORS. INSTALL IN ROWS OF TWO.

PROJECT NAME: VISTA VIEW SLIDING GLASS DOOR - LMI		
DRAWING NUMBER: VMSGD2022-03-25	DRAW BY: D.O.P.	PRODUCT APPROVAL NO.: FL 41125.1
SHT. 4 OF 17	SCALE:	DATE: 05/11/2023

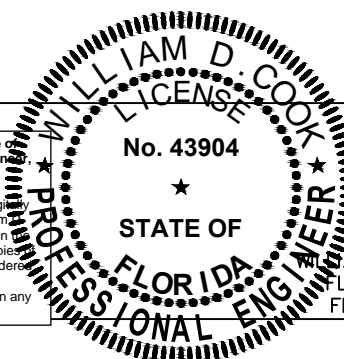


4250 CORAL RIDGE DRIVE  
CORAL SPRINGS, FL 33065  
PHONE: 954-784-6900  
FAX: 954-688-9816

SEAL

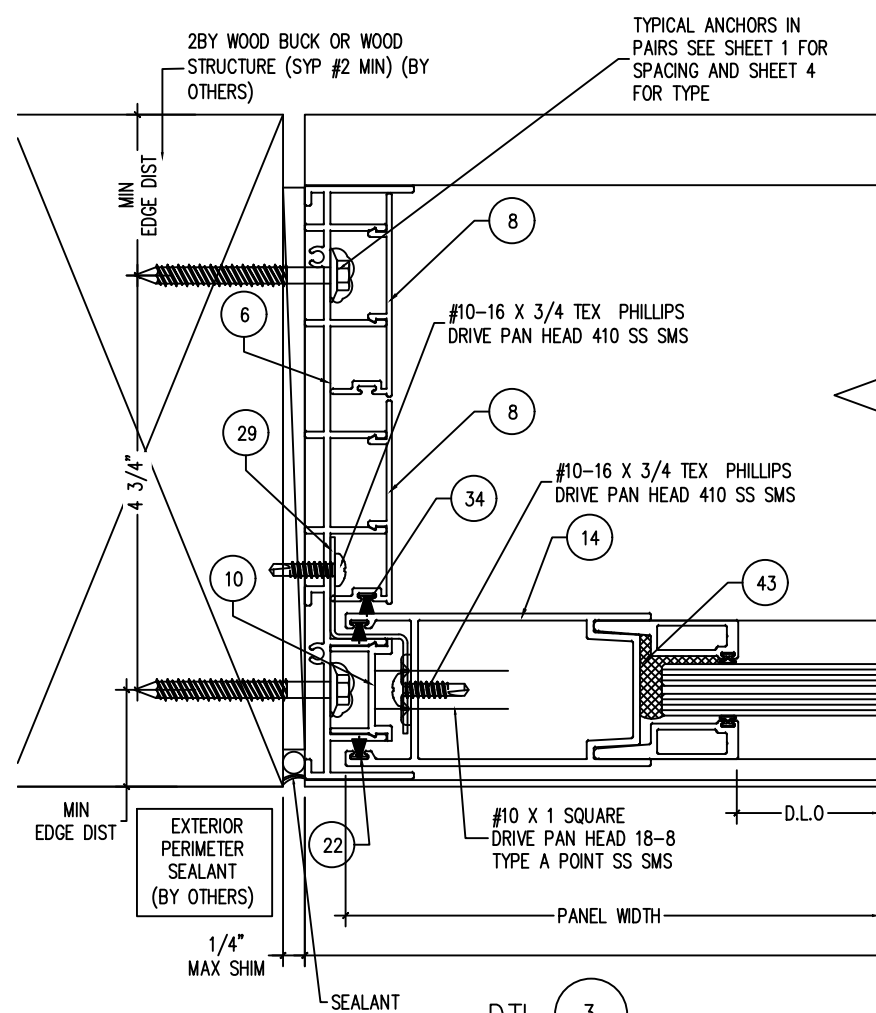
William D. Cook, PE, State of Florida, Professional Engineer License No. 43904

This document has been digitally signed and sealed by William D. Cook on the date indicated in the digital signature. Printed copies of this document are not considered signed and sealed and the signature must be verified on any electronic copies.

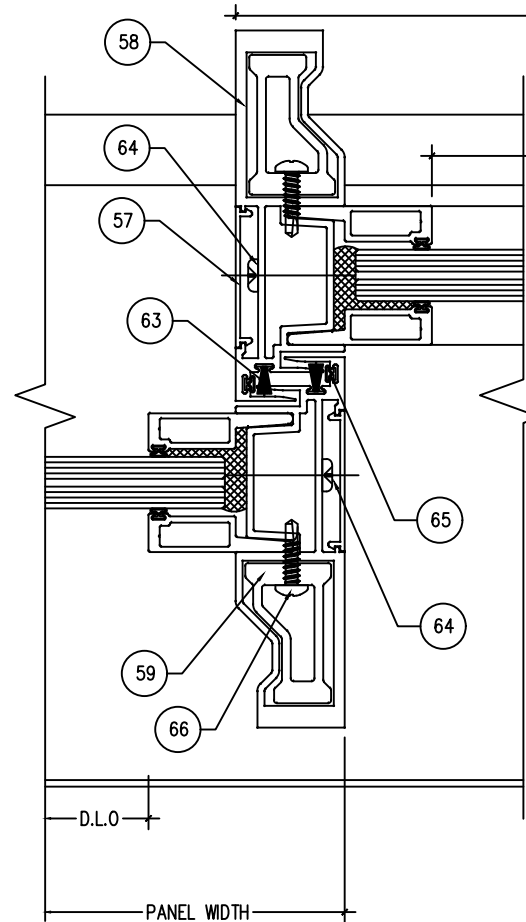


WILLIAM D. COOK P.E.  
FLA P.E. #43904  
FLA S.I. #2008

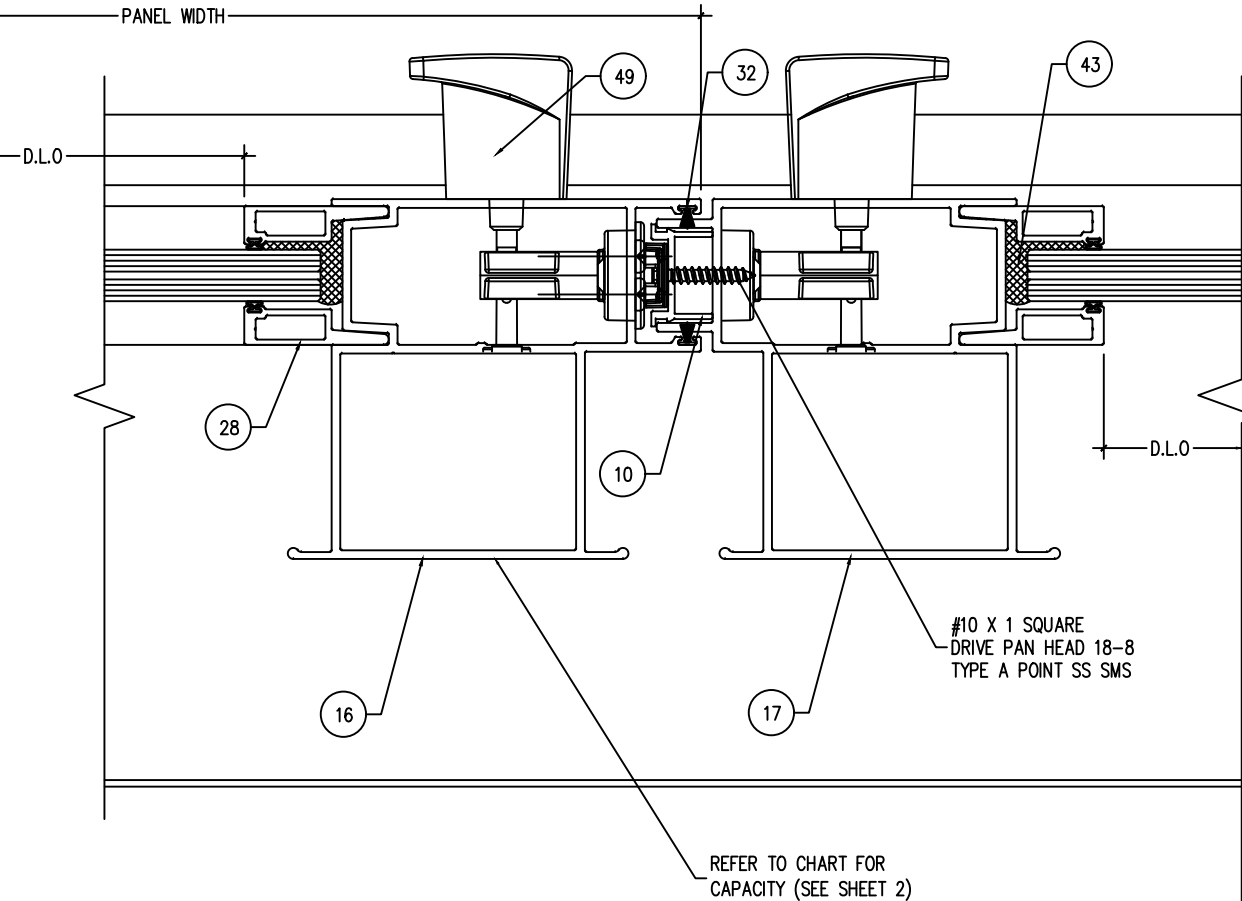
**BROMLEY-COOK ENGINEERING, INC.**  
STRUCTURAL ENGINEERING SERVICES  
5440 N.W. 33RD AVENUE SUITE 100  
FORT LAUDERDALE, FLORIDA 33309  
TEL: (954) 772-4624 FAX: (954) 772-4634



DTL. 3  
JAMB



DTL. 4  
SLIM LINE INTERLOCK



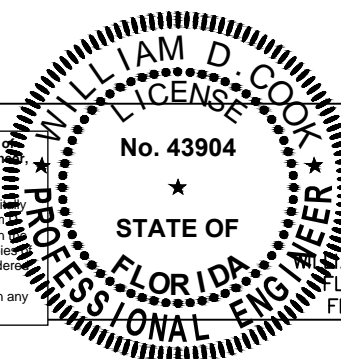
DTL. 5  
ASTRAGAL MTG STILE

PROJECT NAME: VISTA VIEW SLIDING GLASS DOOR - LMI		
DRAWING NUMBER: VMSGD2022-03-25	DRAW BY: D.O.P.	PRODUCT APPROVAL NO.: FL 41125.1
SHT. 5 OF 17	SCALE:	DATE: 05/11/2023



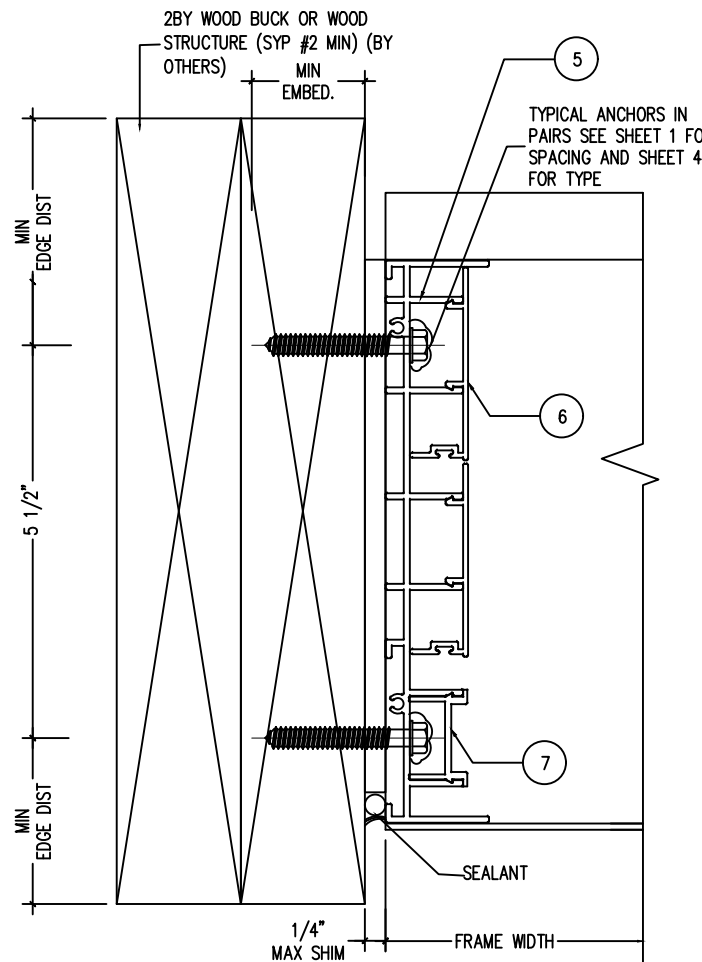
4250 CORAL RIDGE DRIVE  
CORAL SPRINGS, FL 33065  
PHONE: 954-784-6900  
FAX: 954-688-9816

SEAL  
William D. Cook, PE, State of Florida, Professional Engineer License No. 43904  
This document has been digitally signed and sealed by William D. Cook on the date indicated in the digital signature. Printed copies of this document are not considered signed and sealed and the signature must be verified on any electronic copies.

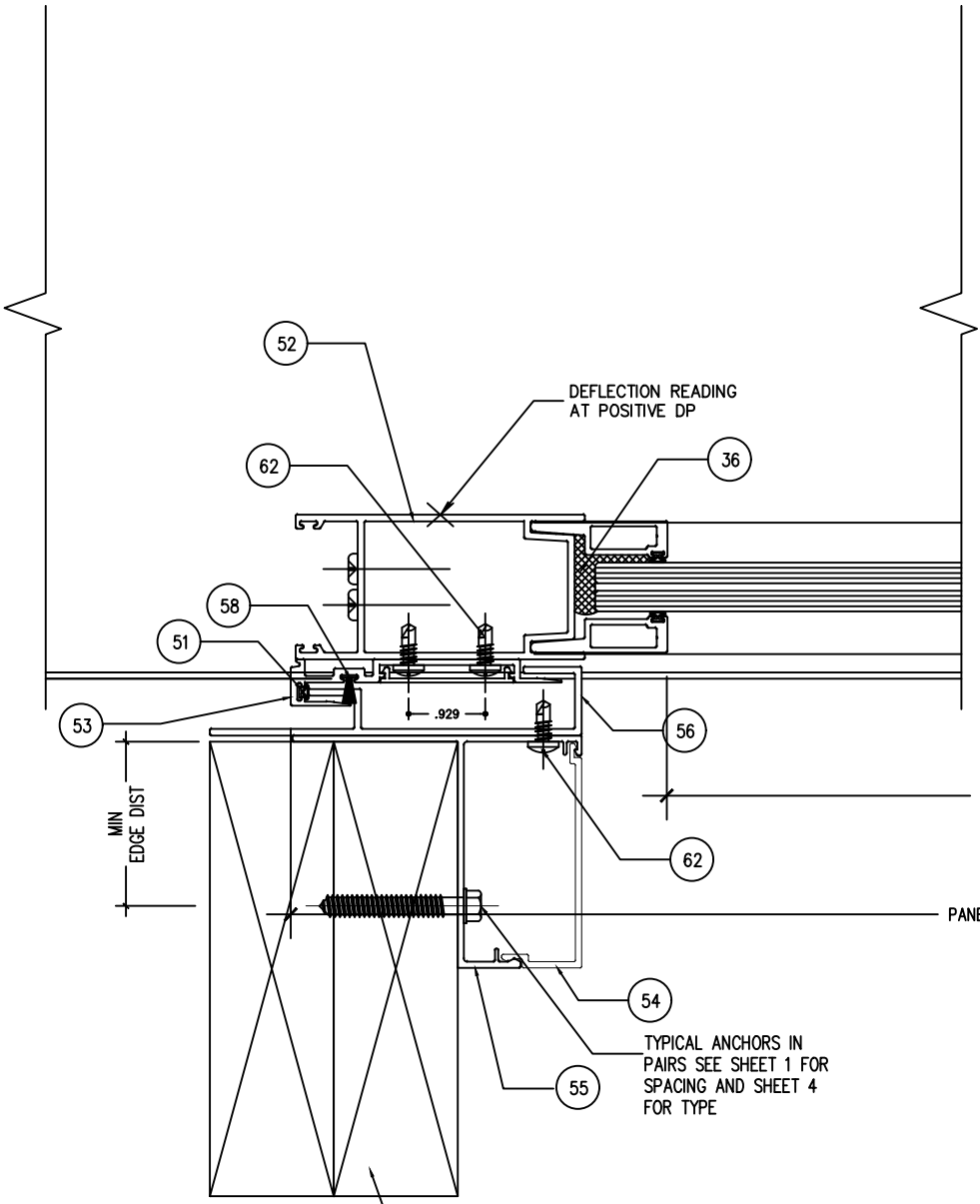


WILLIAM D. COOK P.E.  
FLA P.E. #43904  
FLA S.I. #2008

**BROMLEY-COOK ENGINEERING, INC.**  
STRUCTURAL ENGINEERING SERVICES  
5440 N.W. 33RD AVENUE SUITE 100  
FORT LAUDERDALE, FLORIDA 33309  
TEL: (954) 772-4624 FAX: (954) 772-4634

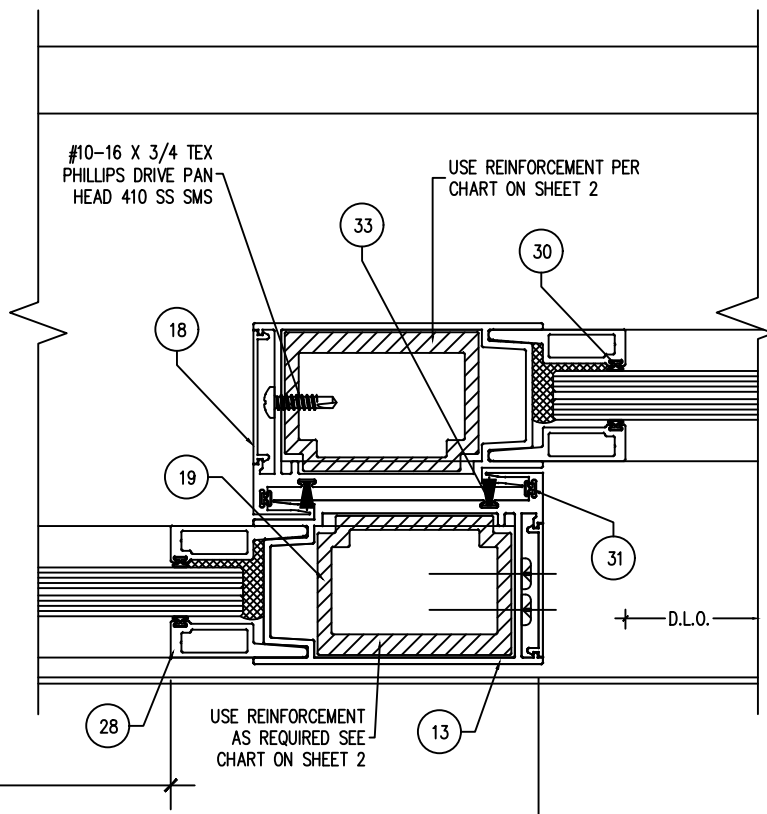


DTL. 3A  
EXTERIOR PERIMETER SEALANT (BY OTHERS)



DTL. 4A  
2BY SYP #2 WOOD BUCK OR WOOD STRUCTURE

POCKET JAMB DETAIL



DTL. 7  
INTERLOCK W/ REINFORCEMENT

PROJECT NAME: VISTA VIEW SLIDING GLASS DOOR - LMI		
DRAWING NUMBER: VVSGD2022-03-25	DRAW BY: D.O.P.	PRODUCT APPROVAL NO.: FL 41125.1
SHT. 6 OF 17	SCALE:	DATE: 05/11/2023

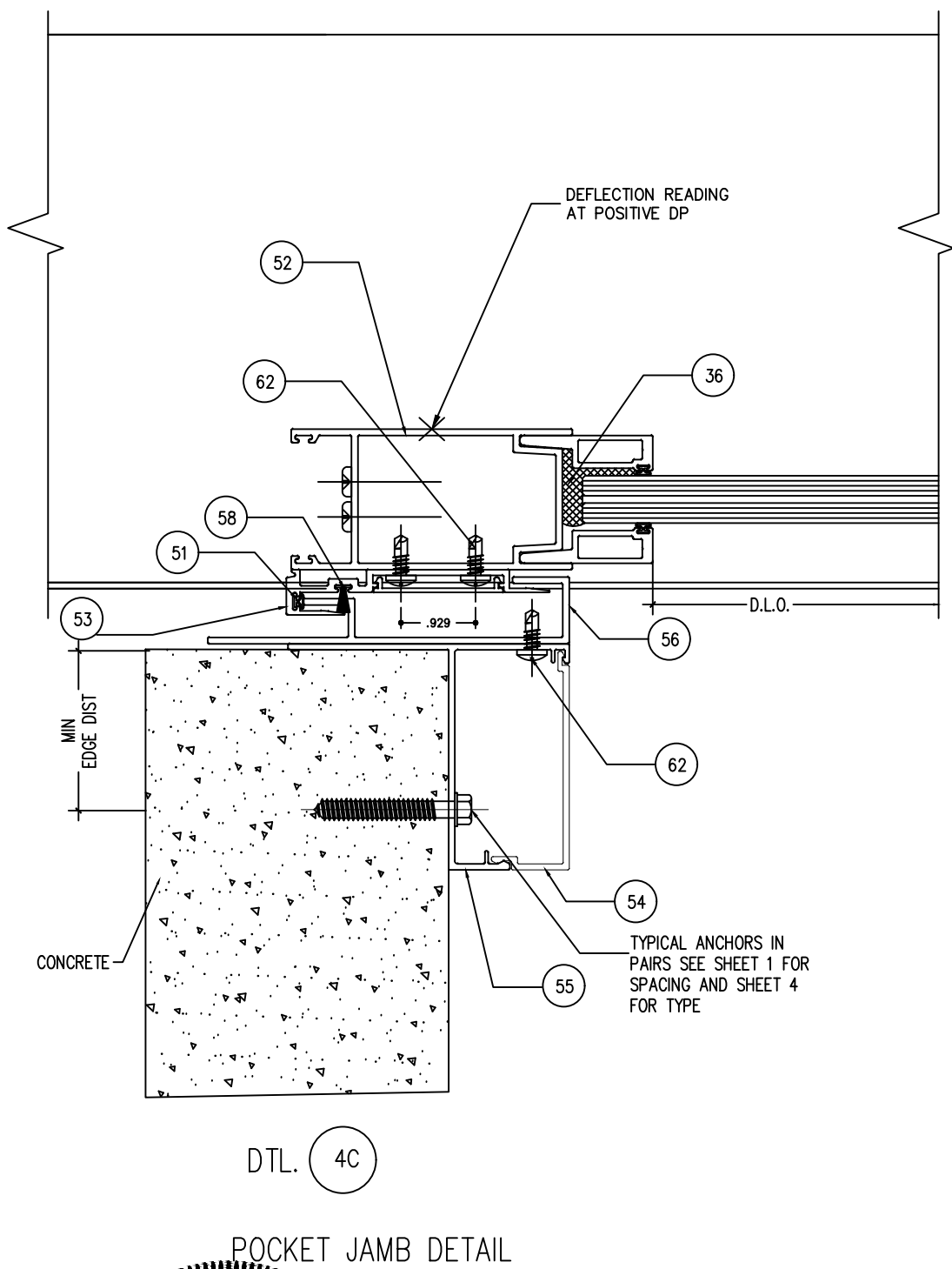
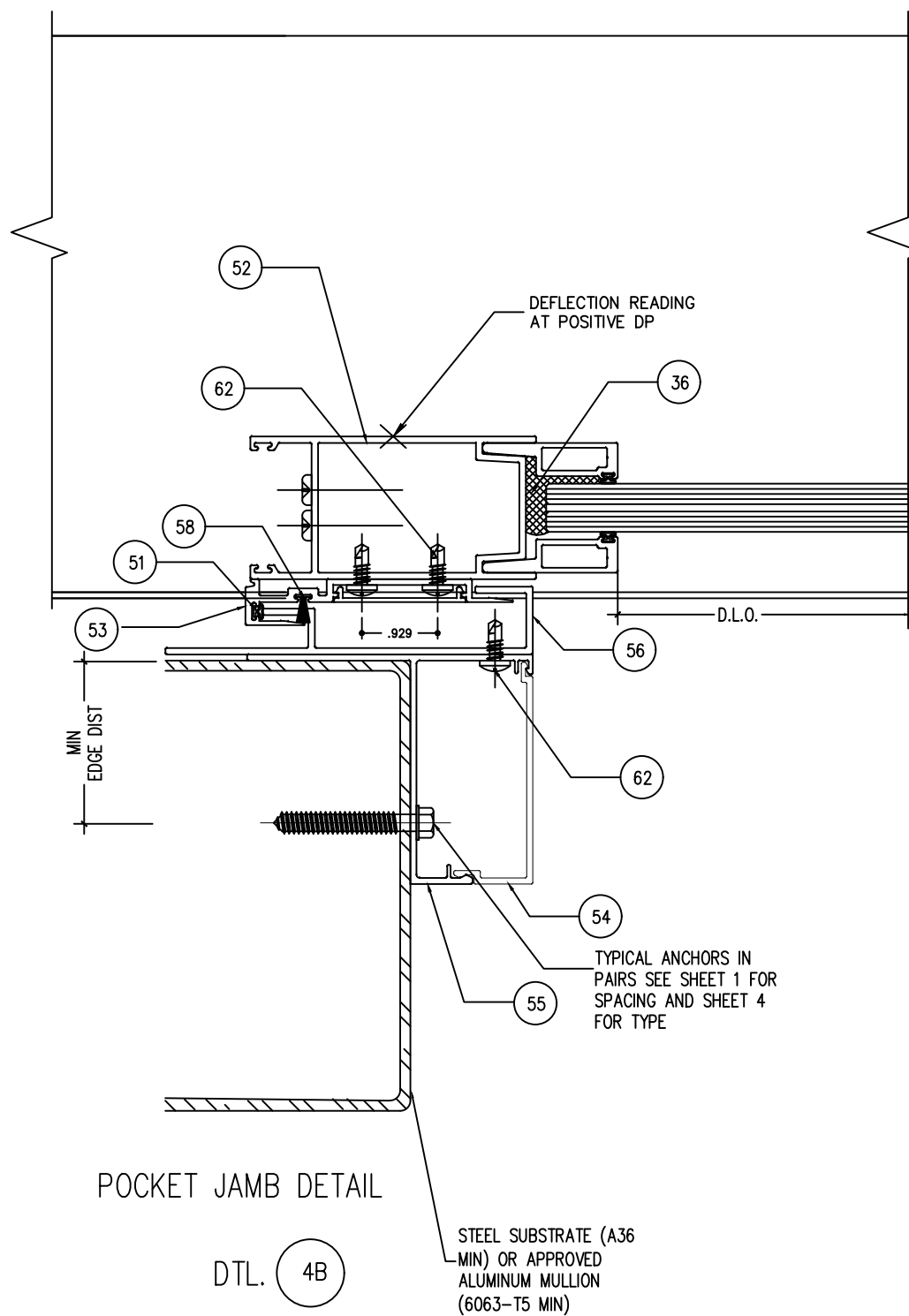
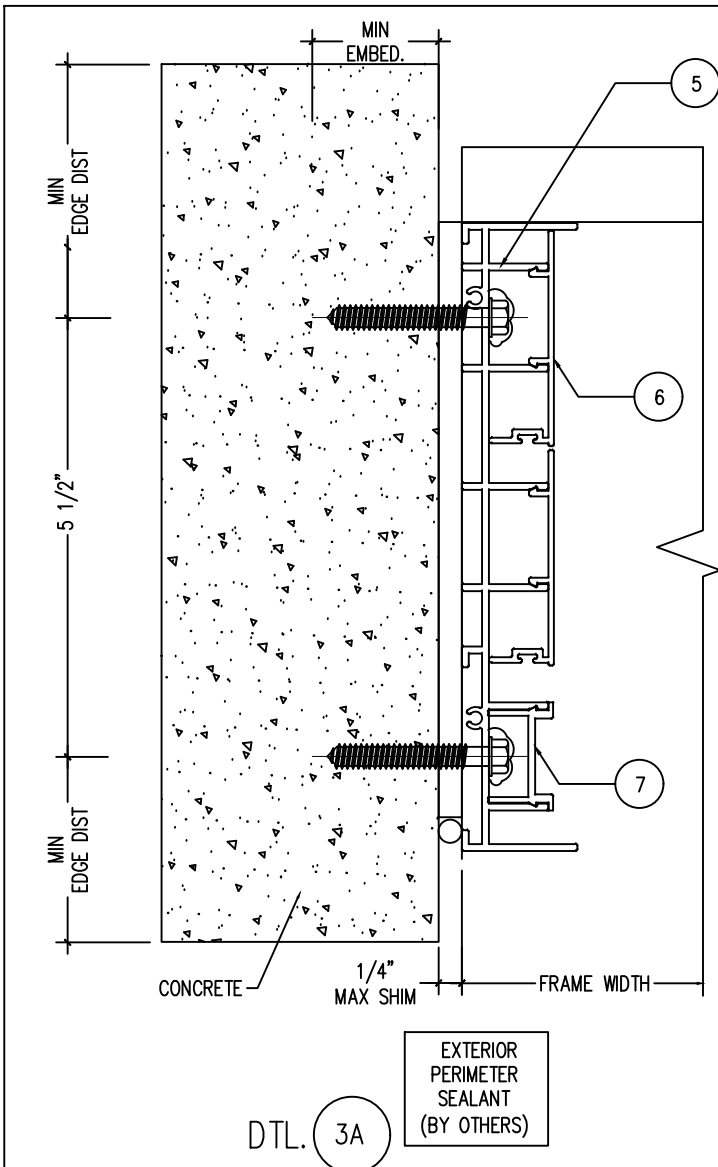
4250 CORAL RIDGE DRIVE  
CORAL SPRINGS, FL 33065  
PHONE: 954-784-6900  
FAX: 954-688-9816

SEAL  
William D. Cook, PE, State of Florida, Professional Engineer License No. 43904  
This document has been digitally signed and sealed by William D. Cook on the date indicated in the digital signature. Printed copies of this document are not considered signed and sealed and the signature must be verified on any electronic copies.

WILLIAM D. COOK  
LICENSE  
No. 43904  
STATE OF FLORIDA  
PROFESSIONAL ENGINEER

WILLIAM D. COOK P.E.  
FLA P.E. #43904  
FLA S.I. #2008

**BROMLEY-COOK ENGINEERING, INC.**  
STRUCTURAL ENGINEERING SERVICES  
5440 N.W. 33RD AVENUE SUITE 100  
FORT LAUDERDALE, FLORIDA 33309  
TEL: (954) 772-4624 FAX: (954) 772-4634



PROJECT NAME: VISTA VIEW SLIDING GLASS DOOR - LMI		
DRAWING NUMBER: VVSGD2022-03-25	DRAW BY: D.O.P.	PRODUCT APPROVAL NO.: FL 41125.1
SHT. 7 OF 17	SCALE:	DATE: 05/11/2023

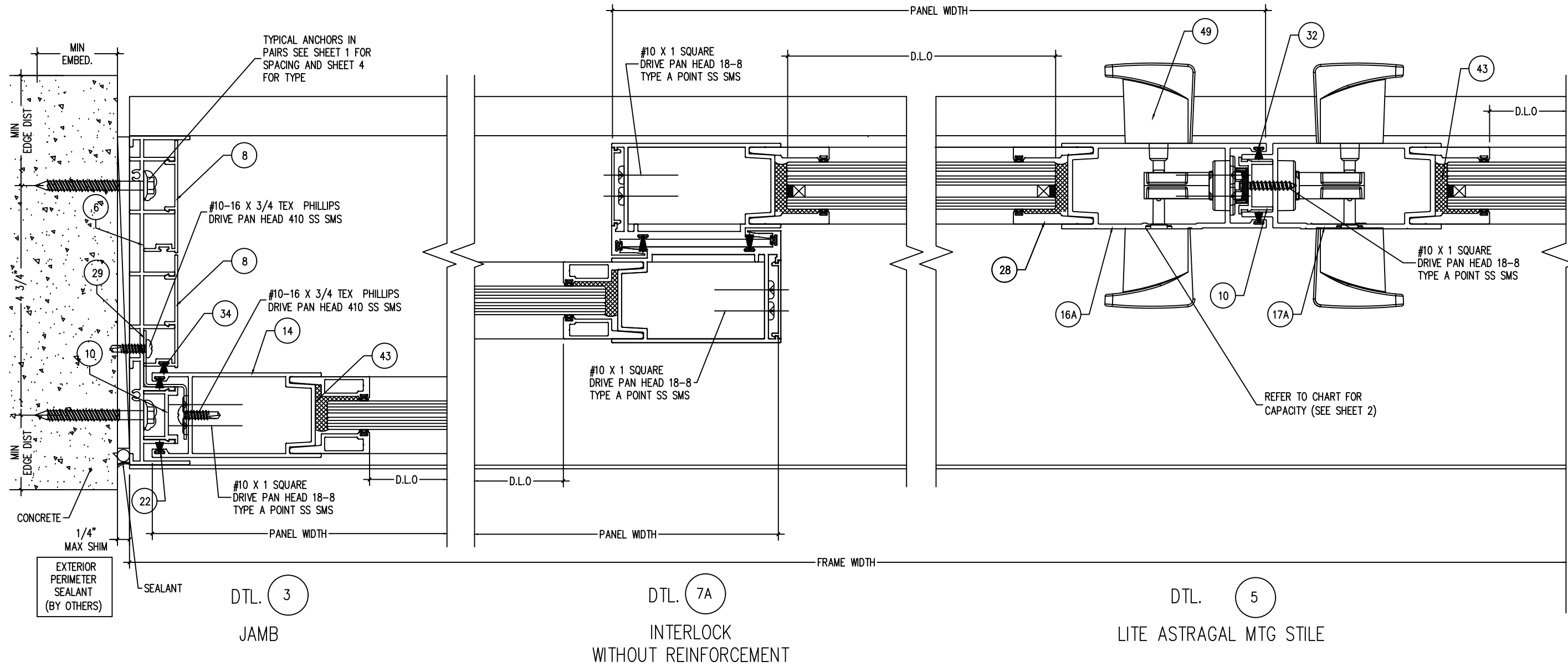


4250 CORAL RIDGE DRIVE  
CORAL SPRINGS, FL 33065  
PHONE: 954-784-6900  
FAX: 954-688-9816

SEAL  
William D. Cook, PE, State of Florida, Professional Engineer License No. 43904  
This document has been digitally signed and sealed by William D. Cook on the date indicated in the digital signature. Printed copies of this document are not considered signed and sealed and the signature must be verified on any electronic copies.

**WILLIAM D. COOK**  
LICENSE  
No. 43904  
STATE OF FLORIDA  
PROFESSIONAL ENGINEER  
WILLIAM D. COOK P.E.  
LA P.E. #43904  
FLA S.I. #2008

**BROMLEY-COOK ENGINEERING, INC.**  
STRUCTURAL ENGINEERING SERVICES  
5440 N.W. 33RD AVENUE SUITE 100  
FORT LAUDERDALE, FLORIDA 33309  
TEL: (954) 772-4624 FAX: (954) 772-4634



DTL. 3  
JAMB

DTL. 7A  
INTERLOCK  
WITHOUT REINFORCEMENT

DTL. 5  
LITE ASTRAGAL MTG STILE

PROJECT NAME: VISTA VIEW SLIDING GLASS DOOR - LMI		
DRAWING NUMBER: VMSGD2022-03-25	DRAW BY: D.O.P.	PRODUCT APPROVAL NO.: FL 41125.1
SHT. 8 OF 17	SCALE:	DATE: 05/11/2023

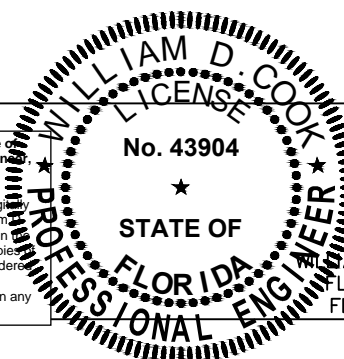


4250 CORAL RIDGE DRIVE  
CORAL SPRINGS, FL 33065  
PHONE: 954-784-6900  
FAX: 954-688-9816

SEAL

William D. Cook, PE, State of Florida, Professional Engineer License No. 43904

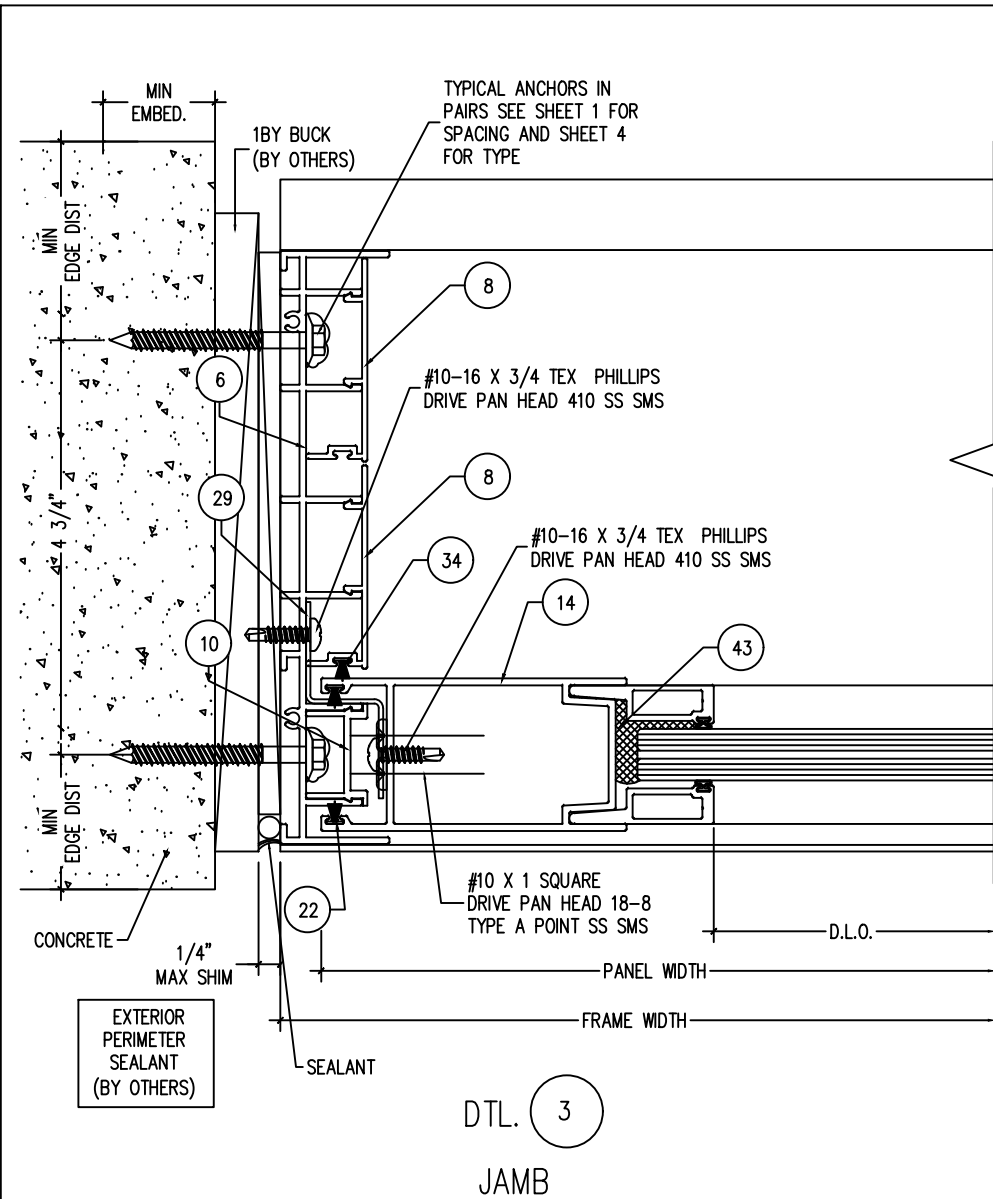
This document has been digitally signed and sealed by William D. Cook on the date indicated in the digital signature. Printed copies of this document are not considered signed and sealed and the signature must be verified on any electronic copies.



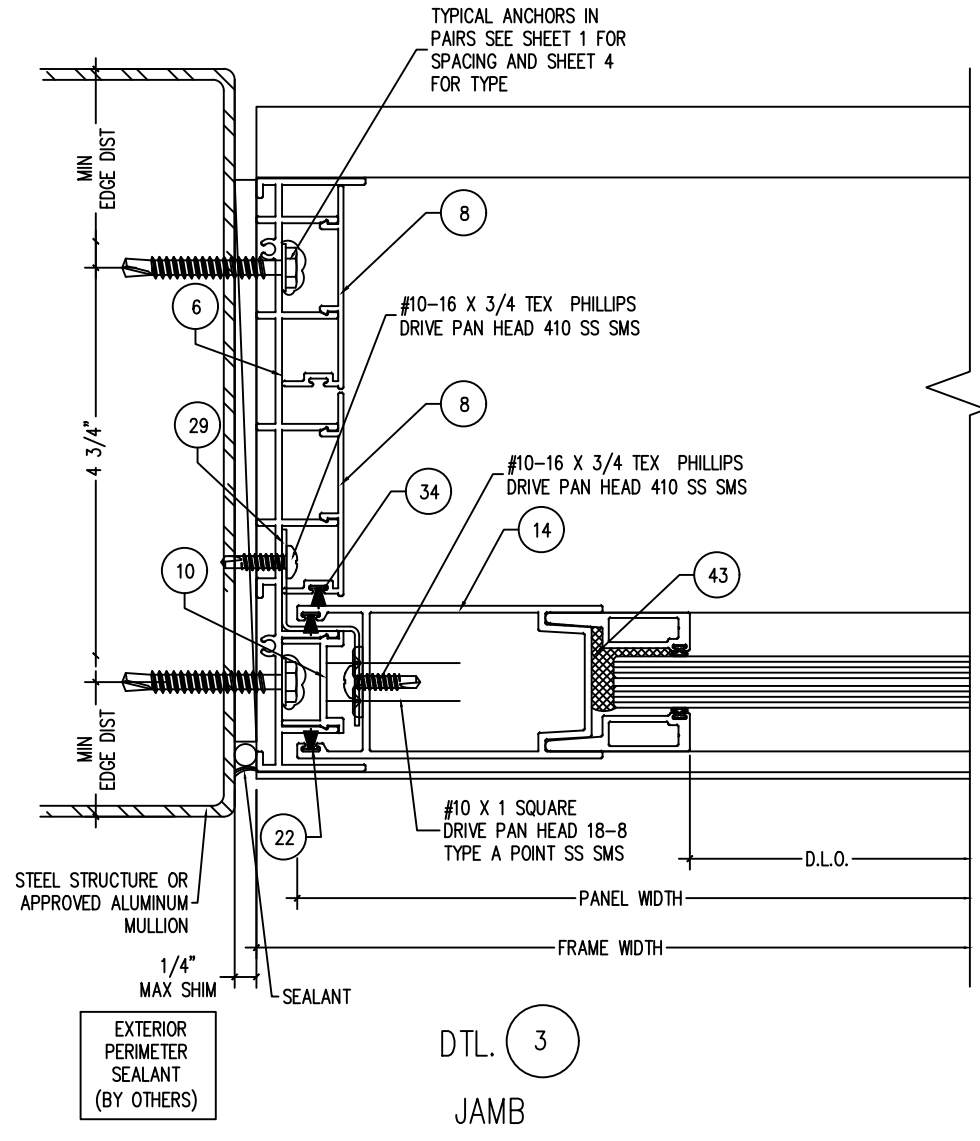
WILLIAM D. COOK P.E.  
FLA P.E. #43904  
FLA S.I. #2008

**BROMLEY-COOK ENGINEERING, INC.**  
STRUCTURAL ENGINEERING SERVICES  
5440 N.W. 33RD AVENUE SUITE 100  
FORT LAUDERDALE, FLORIDA 33309  
TEL: (954) 772-4624 FAX: (954) 772-4634

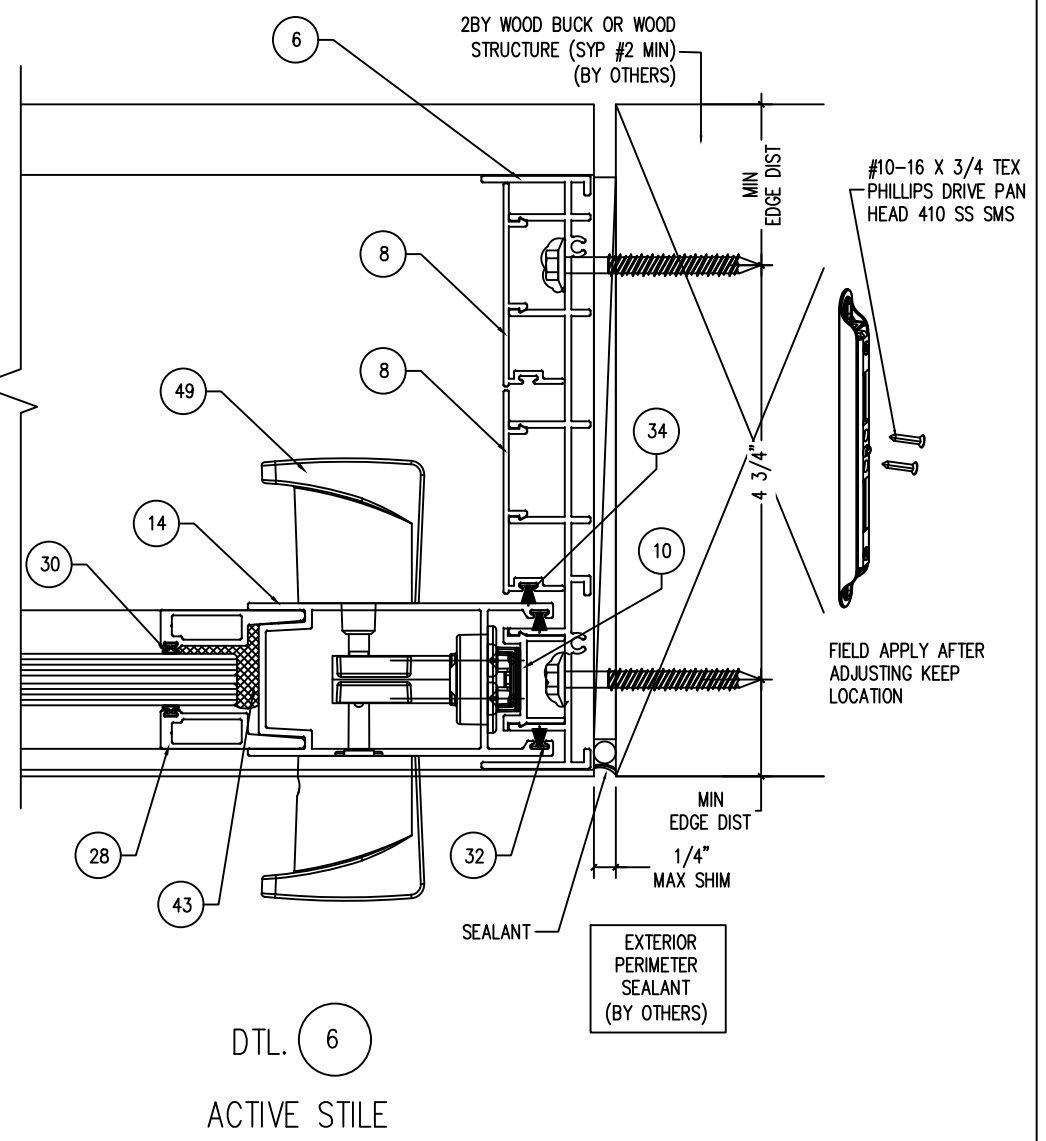




DTL. 3  
JAMB



DTL. 3  
JAMB



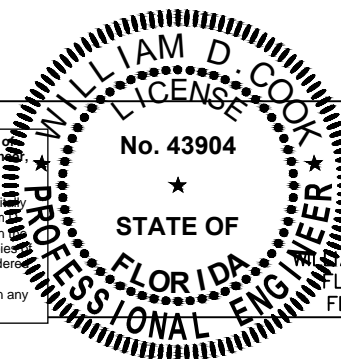
DTL. 6  
ACTIVE STILE

PROJECT NAME: VISTA VIEW SLIDING GLASS DOOR - LMI		
DRAWING NUMBER: VVSGD2022-03-25	DRAW BY: D.O.P.	PRODUCT APPROVAL NO.: FL 41125.1
SHT. 9 OF 17	SCALE:	DATE: 05/11/2023



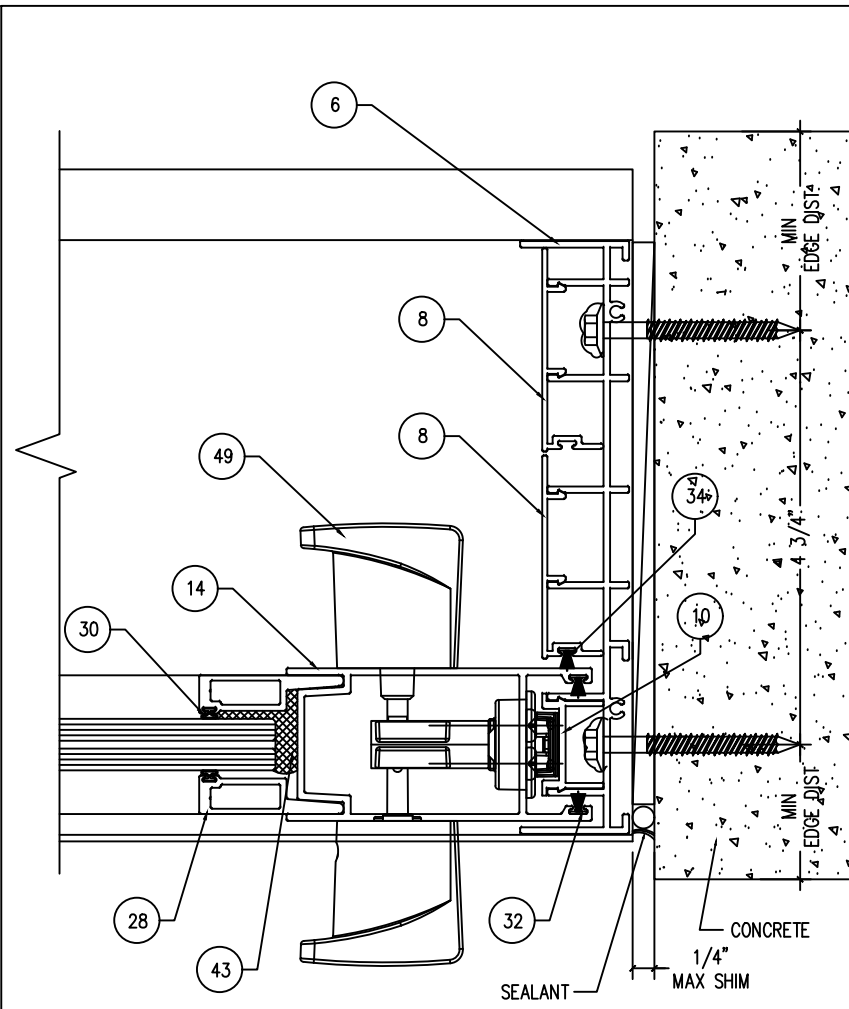
4250 CORAL RIDGE DRIVE  
CORAL SPRINGS, FL 33065  
PHONE: 954-784-6900  
FAX: 954-688-9816

SEAL  
William D. Cook, PE, State of Florida, Professional Engineer License No. 43904  
This document has been digitally signed and sealed by William D. Cook on the date indicated in the digital signature. Printed copies of this document are not considered signed and sealed and the signature must be verified on any electronic copies.



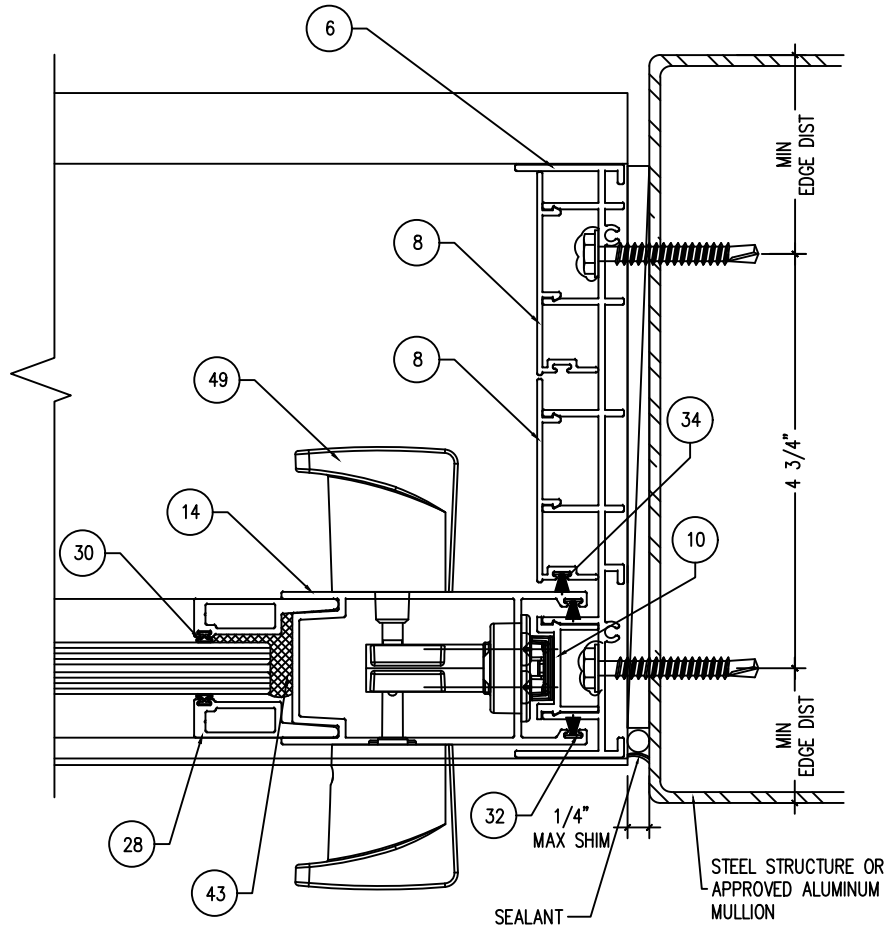
WILLIAM D. COOK P.E.  
FLA P.E. #43904  
FLA S.I. #2008

**BROMLEY-COOK ENGINEERING, INC.**  
STRUCTURAL ENGINEERING SERVICES  
5440 N.W. 33RD AVENUE SUITE 100  
FORT LAUDERDALE, FLORIDA 33309  
TEL: (954) 772-4624 FAX: (954) 772-4634



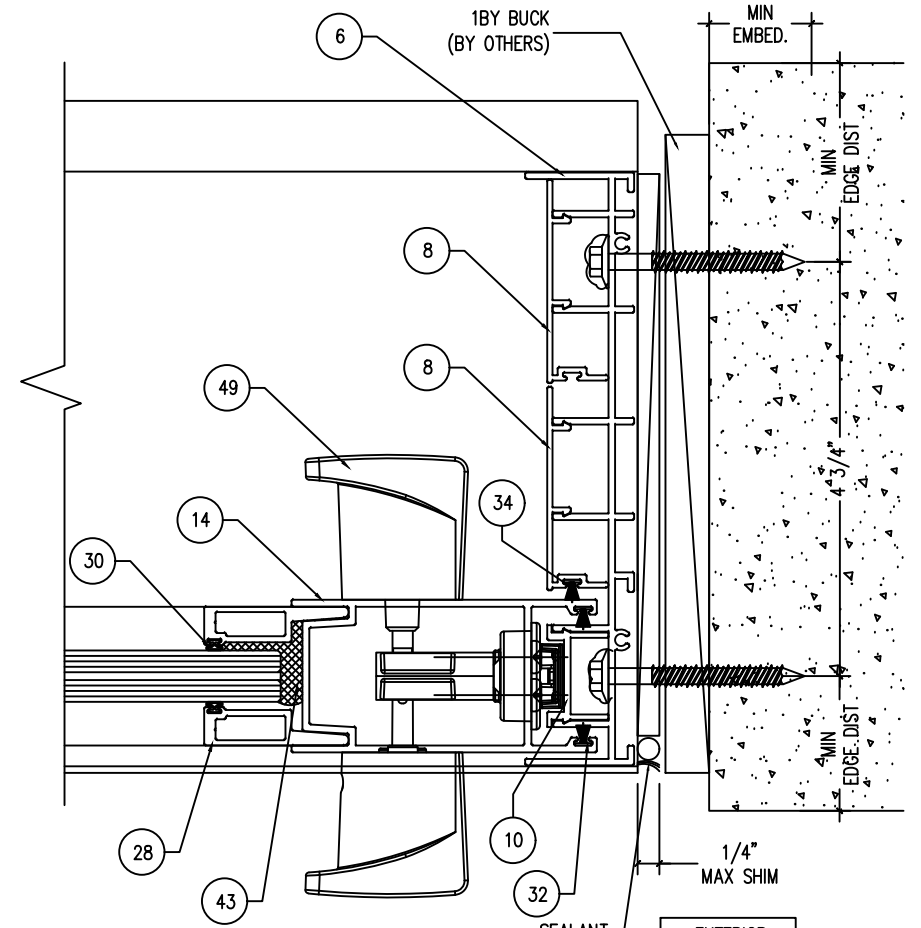
DTL. 6  
ACTIVE STILE

EXTERIOR PERIMETER SEALANT (BY OTHERS)



DTL. 6  
ACTIVE STILE

EXTERIOR PERIMETER SEALANT (BY OTHERS)



DTL. 6  
ACTIVE STILE

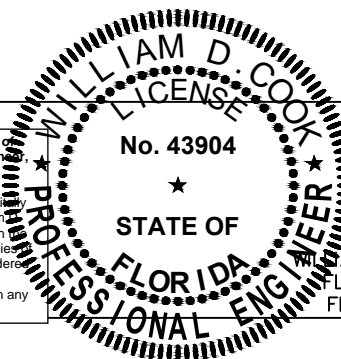
EXTERIOR PERIMETER SEALANT (BY OTHERS)

PROJECT NAME: VISTA VIEW SLIDING GLASS DOOR - LMI		
DRAWING NUMBER: VSGD2022-03-25	DRAW BY: D.O.P.	PRODUCT APPROVAL NO.: FL 41125.1
SHT. 10 OF 17	SCALE:	DATE: 05/11/2023



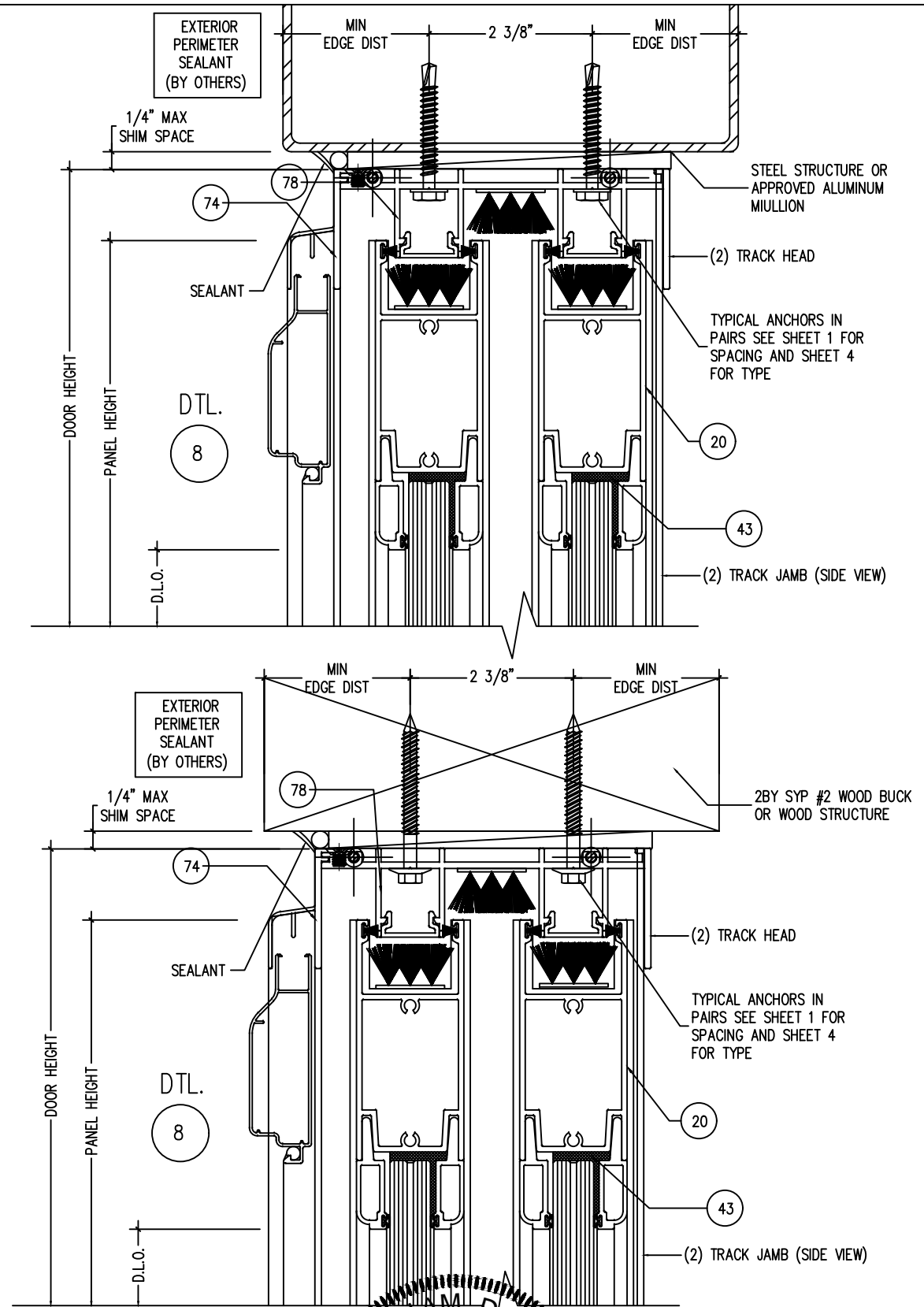
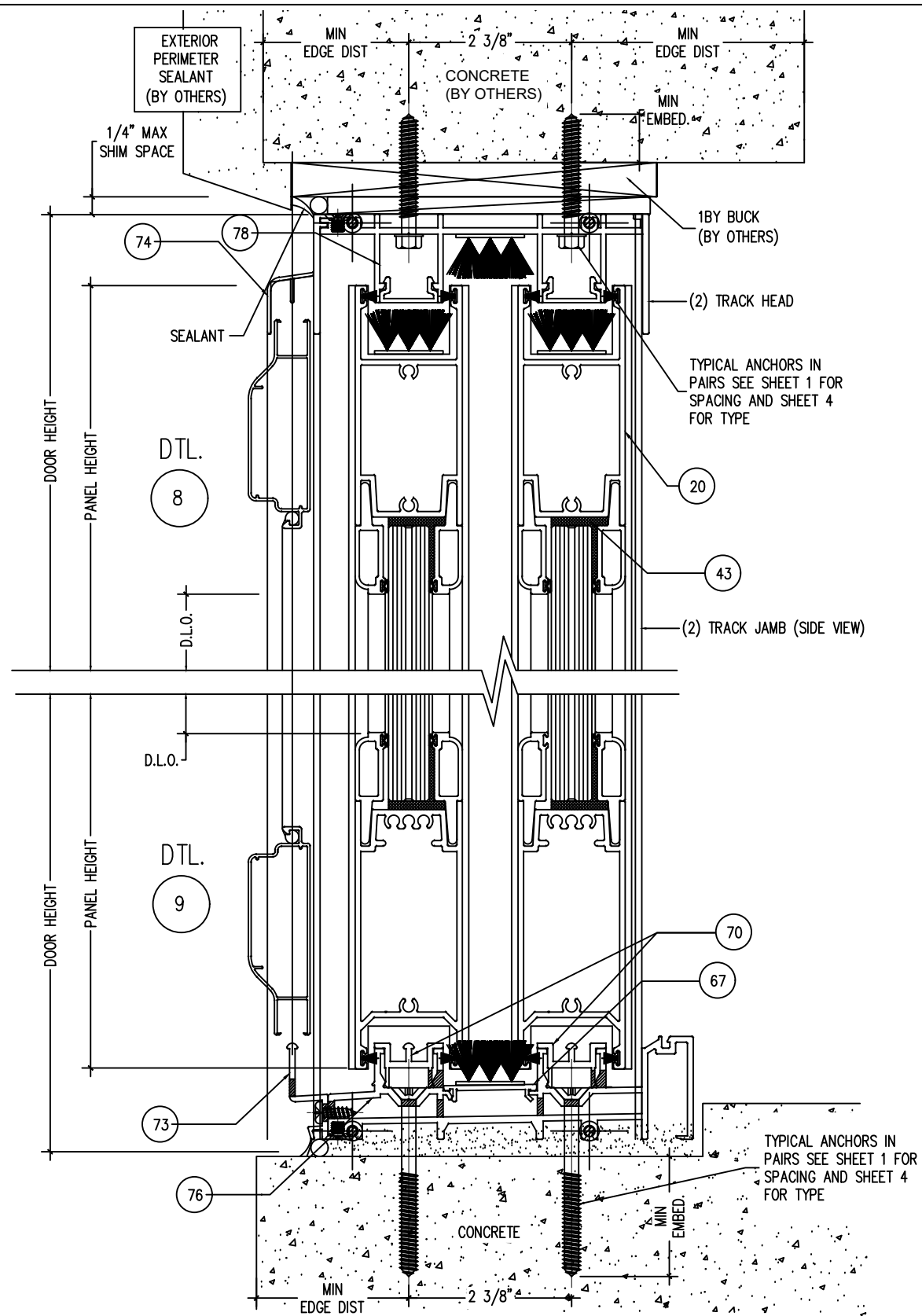
4250 CORAL RIDGE DRIVE  
CORAL SPRINGS, FL 33065  
PHONE: 954-784-6900  
FAX: 954-688-9816

SEAL  
William D. Cook, PE, State of Florida, Professional Engineer License No. 43904  
This document has been digitally signed and sealed by William D. Cook on the date indicated in this digital signature. Printed copies of this document are not considered signed and sealed and the signature must be verified on any electronic copies.



WILLIAM D. COOK P.E.  
FLA P.E. #43904  
FLA S.I. #2008

**BROMLEY-COOK ENGINEERING, INC.**  
STRUCTURAL ENGINEERING SERVICES  
5440 N.W. 33RD AVENUE SUITE 100  
FORT LAUDERDALE, FLORIDA 33309  
TEL: (954) 772-4624 FAX: (954) 772-4634



PROJECT NAME: VISTA VIEW SLIDING GLASS DOOR - LMI		
DRAWING NUMBER: VSGD2022-03-25	DRAW BY: D.O.P.	PRODUCT APPROVAL NO. #: FL 41125.1
SHT. 11 OF 17	SCALE:	DATE: 05/11/2023

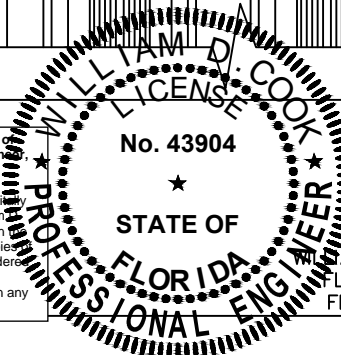


4250 CORAL RIDGE DRIVE  
CORAL SPRINGS, FL 33065  
PHONE: 954-784-6900  
FAX: 954-688-9816

SEAL

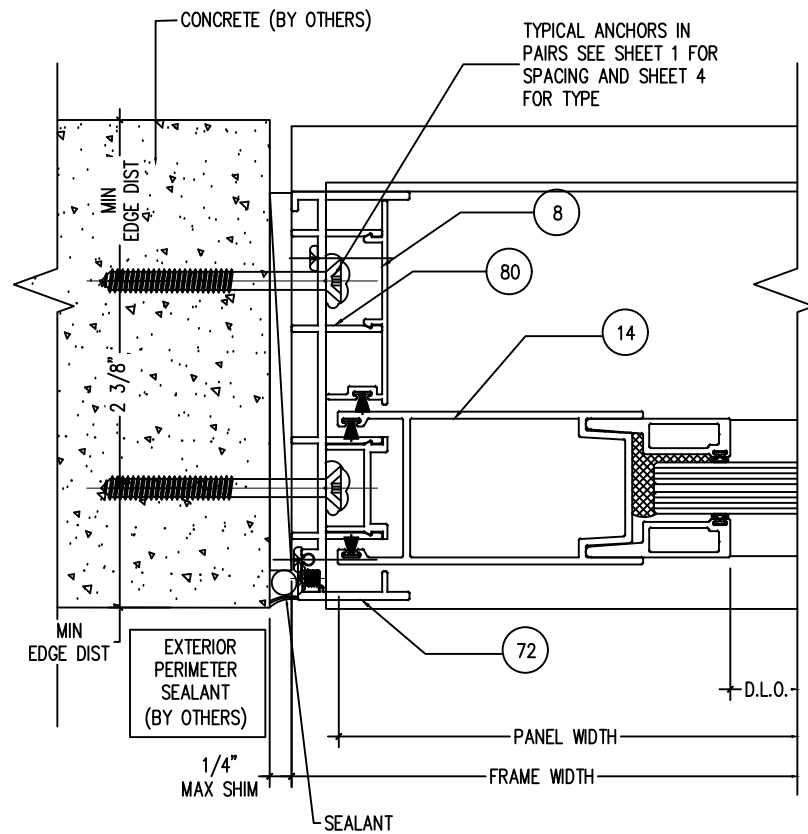
William D. Cook, PE, State of Florida, Professional Engineer License No. 43904

This document has been digitally signed and sealed by William D. Cook on the date indicated in digital signature. Printed copies of this document are not considered signed and sealed and the signature must be verified on any electronic copies.

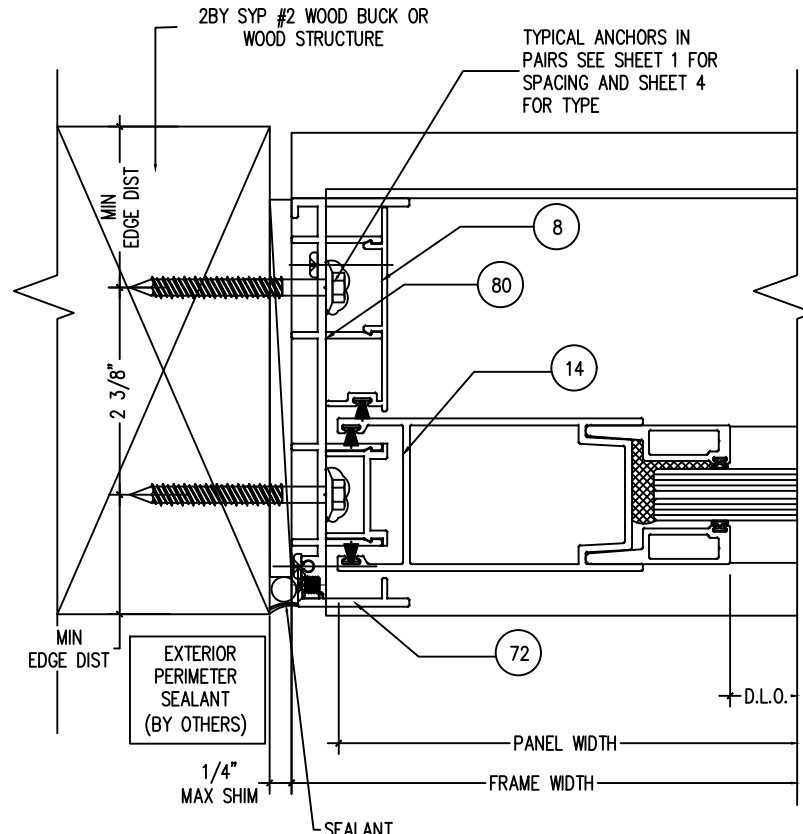


WILLIAM D. COOK P.E.  
LA P.E. #43904  
FLA S.I. #2008

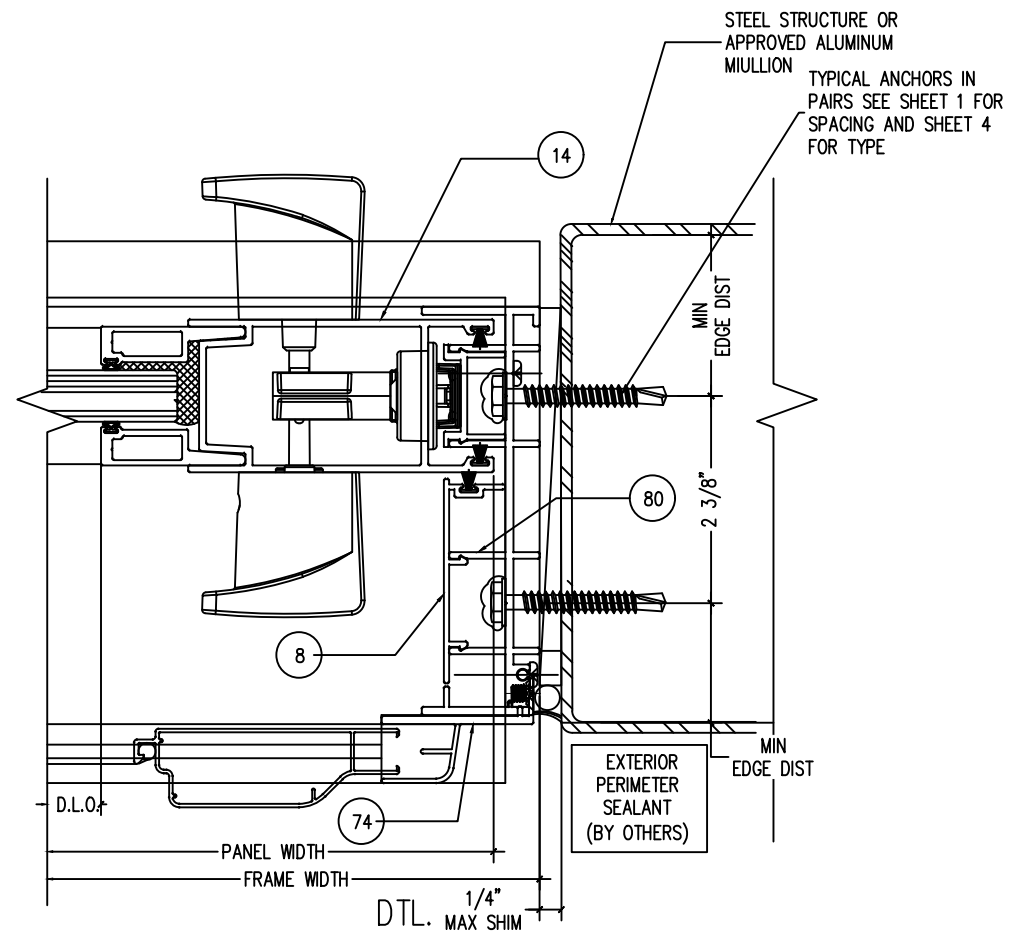
**BROMLEY-COOK ENGINEERING, INC.**  
STRUCTURAL ENGINEERING SERVICES  
5440 N.W. 33RD AVENUE SUITE 100  
FORT LAUDERDALE, FLORIDA 33309  
TEL: (954) 772-4624 FAX: (954) 772-4634



DTL.  
10



DTL.  
10



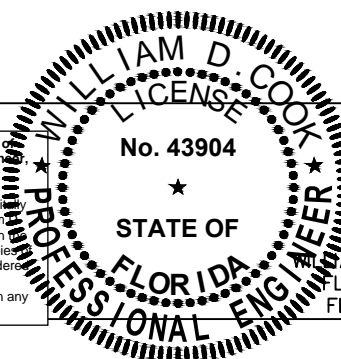
DTL.  
11

PROJECT NAME: VISTA VIEW SLIDING GLASS DOOR - LMI		
DRAWING NUMBER: VVSGD2022-03-25	DRAW BY: D.O.P.	PRODUCT APPROVAL NO.: FL 41125.1
SHT. 12 OF 17	SCALE:	DATE: 05/11/2023



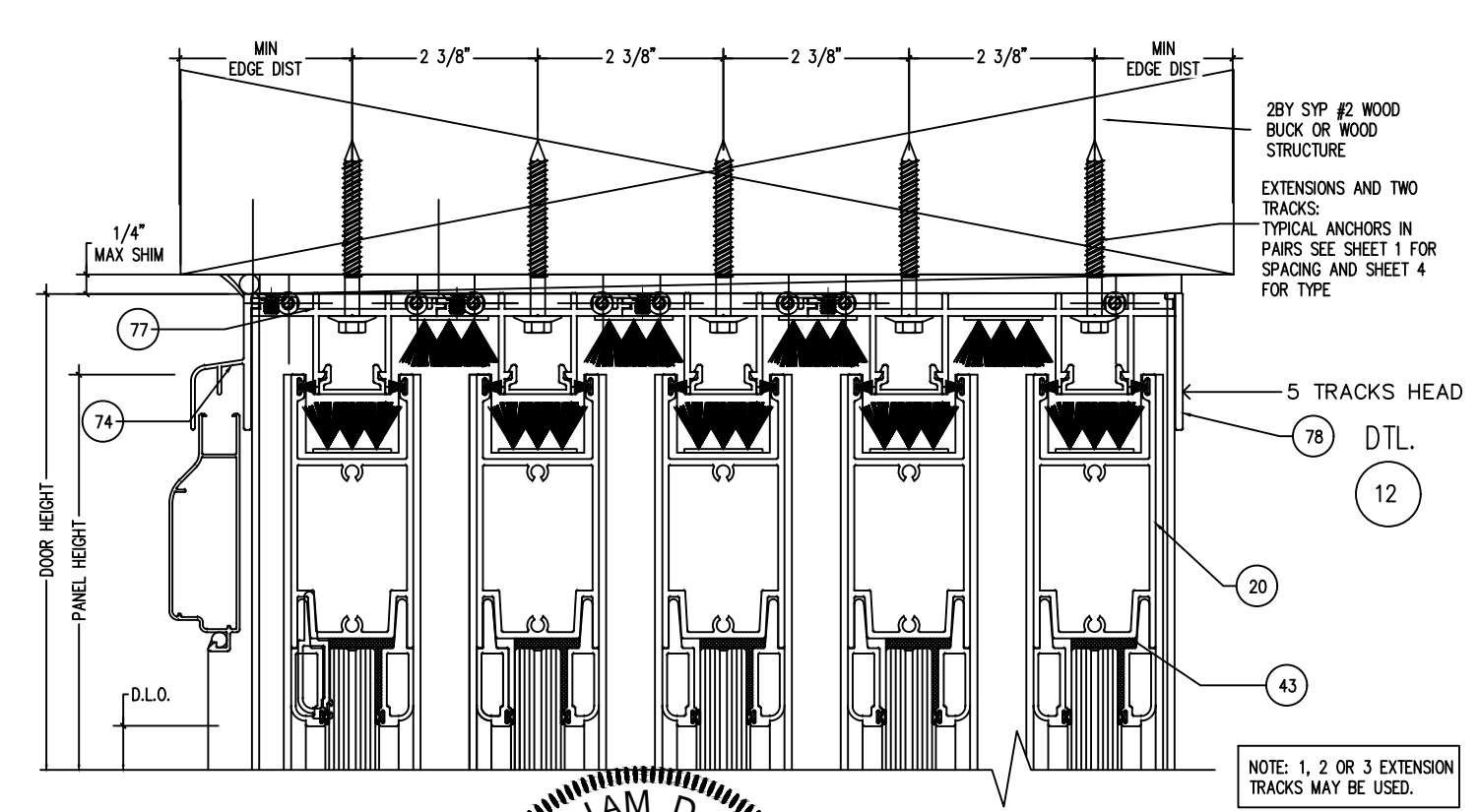
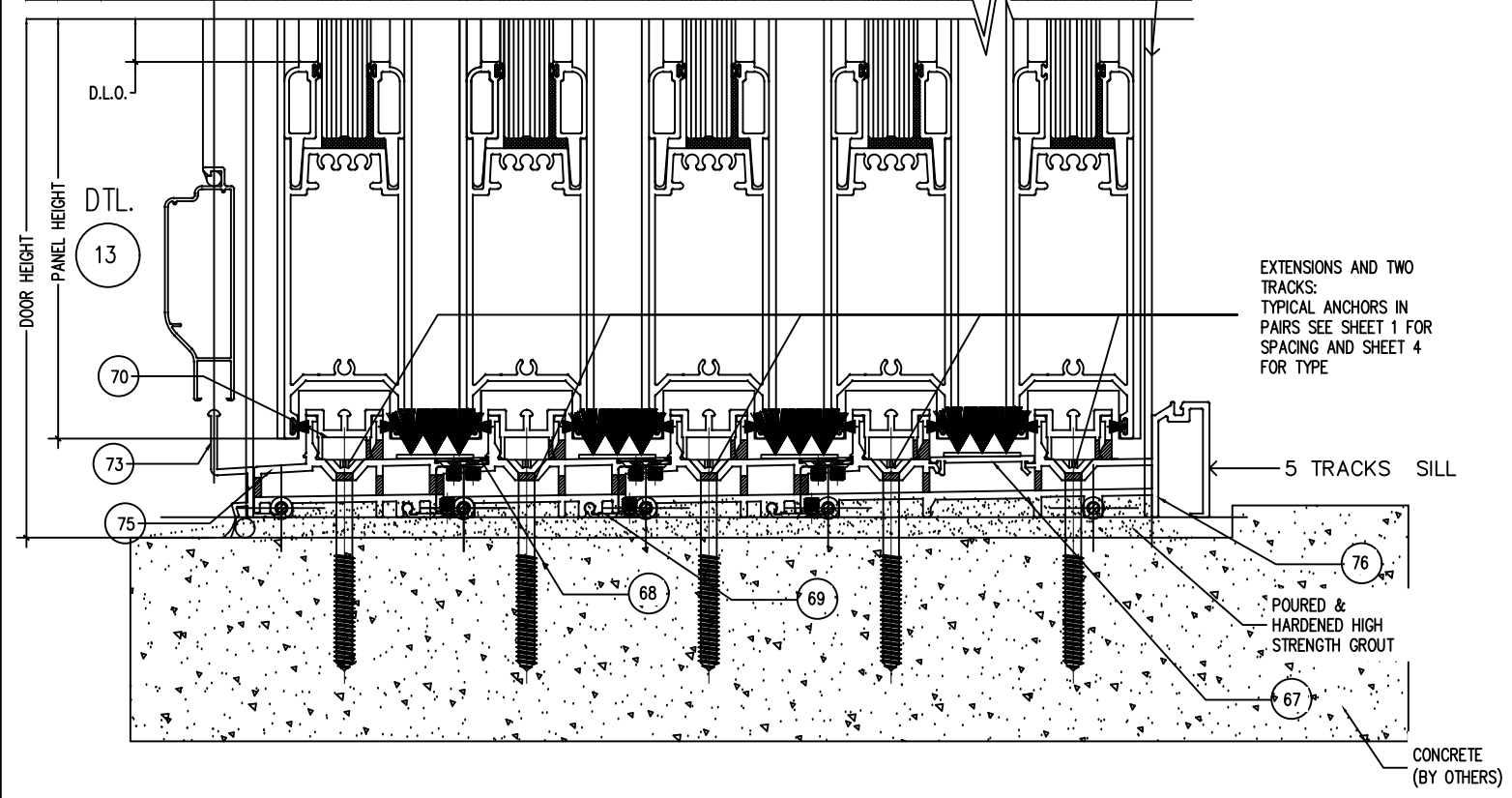
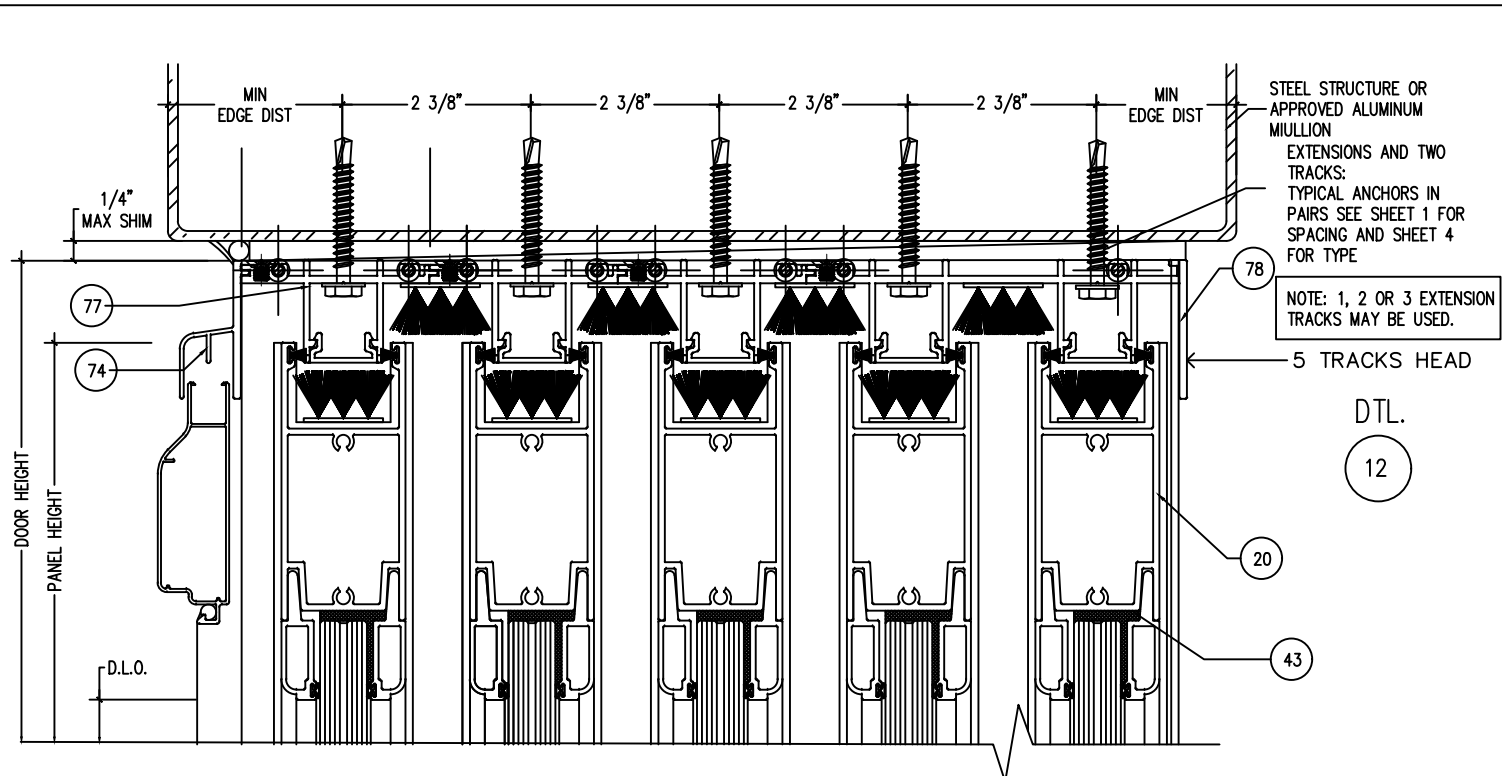
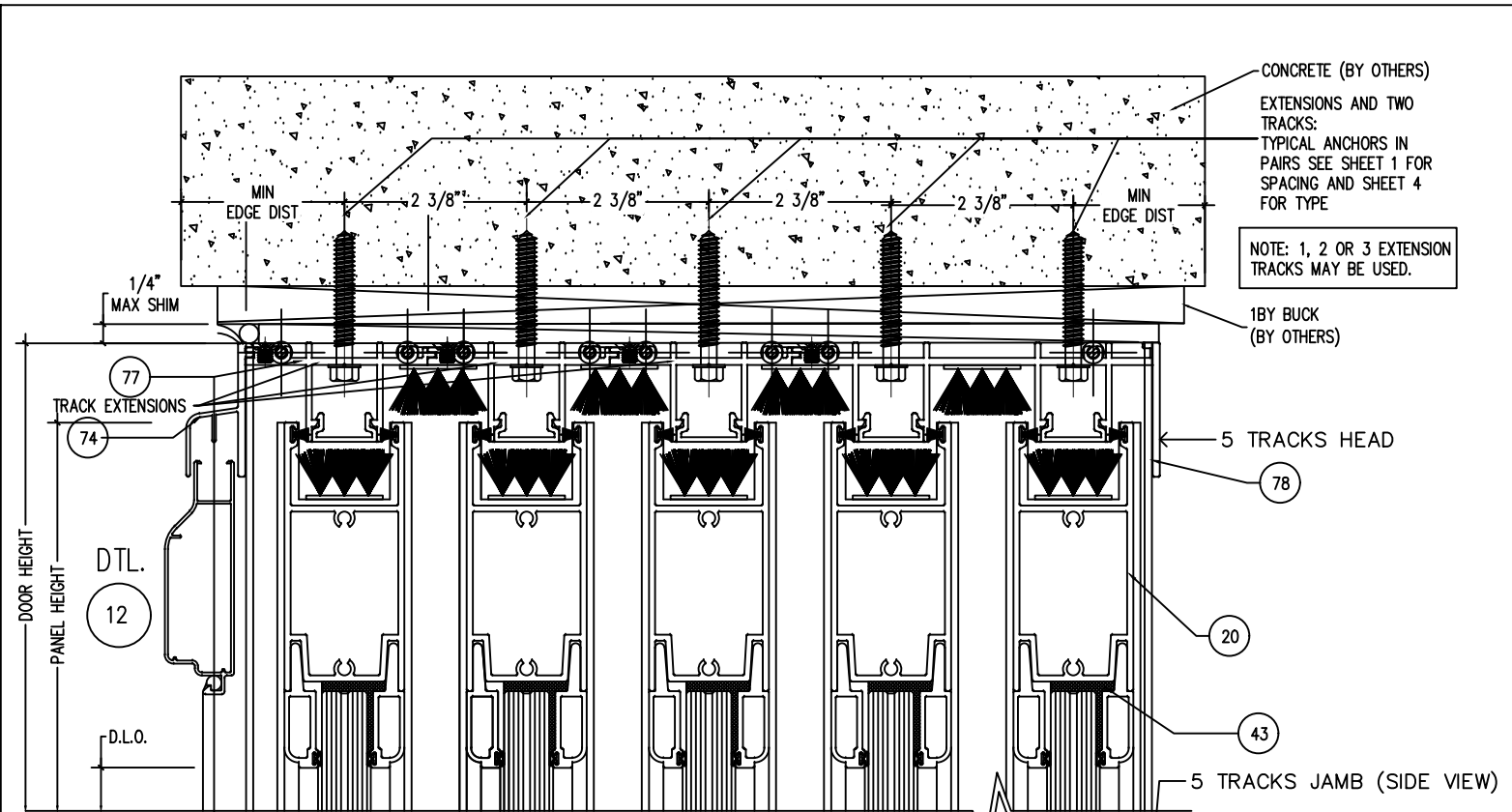
4250 CORAL RIDGE DRIVE  
CORAL SPRINGS, FL 33065  
PHONE: 954-784-6900  
FAX: 954-688-9816

SEAL  
William D. Cook, PE, State of Florida, Professional Engineer License No. 43904  
This document has been digitally signed and sealed by William D. Cook on the date indicated in the digital signature. Printed copies of this document are not considered signed and sealed and the signature must be verified on any electronic copies.



WILLIAM D. COOK P.E.  
FLA. P.E. #43904  
FLA. S.I. #2008

**BROMLEY-COOK ENGINEERING, INC.**  
STRUCTURAL ENGINEERING SERVICES  
5440 N.W. 33RD AVENUE SUITE 100  
FORT LAUDERDALE, FLORIDA 33309  
TEL: (954) 772-4624 FAX: (954) 772-4634

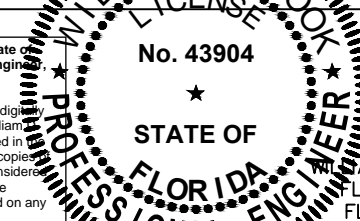


PROJECT NAME: VISTA VIEW SLIDING GLASS DOOR - LMI		
DRAWING NUMBER: VMSGD2022-03-25	DRAW BY: D.O.P.	PRODUCT APPROVAL NO.: FL 41125.1
SHT. 13 OF 17	SCALE:	DATE: 05/11/2023

  
**ALDORA**  
 ALUMINUM AND GLASS PRODUCTS, INC.

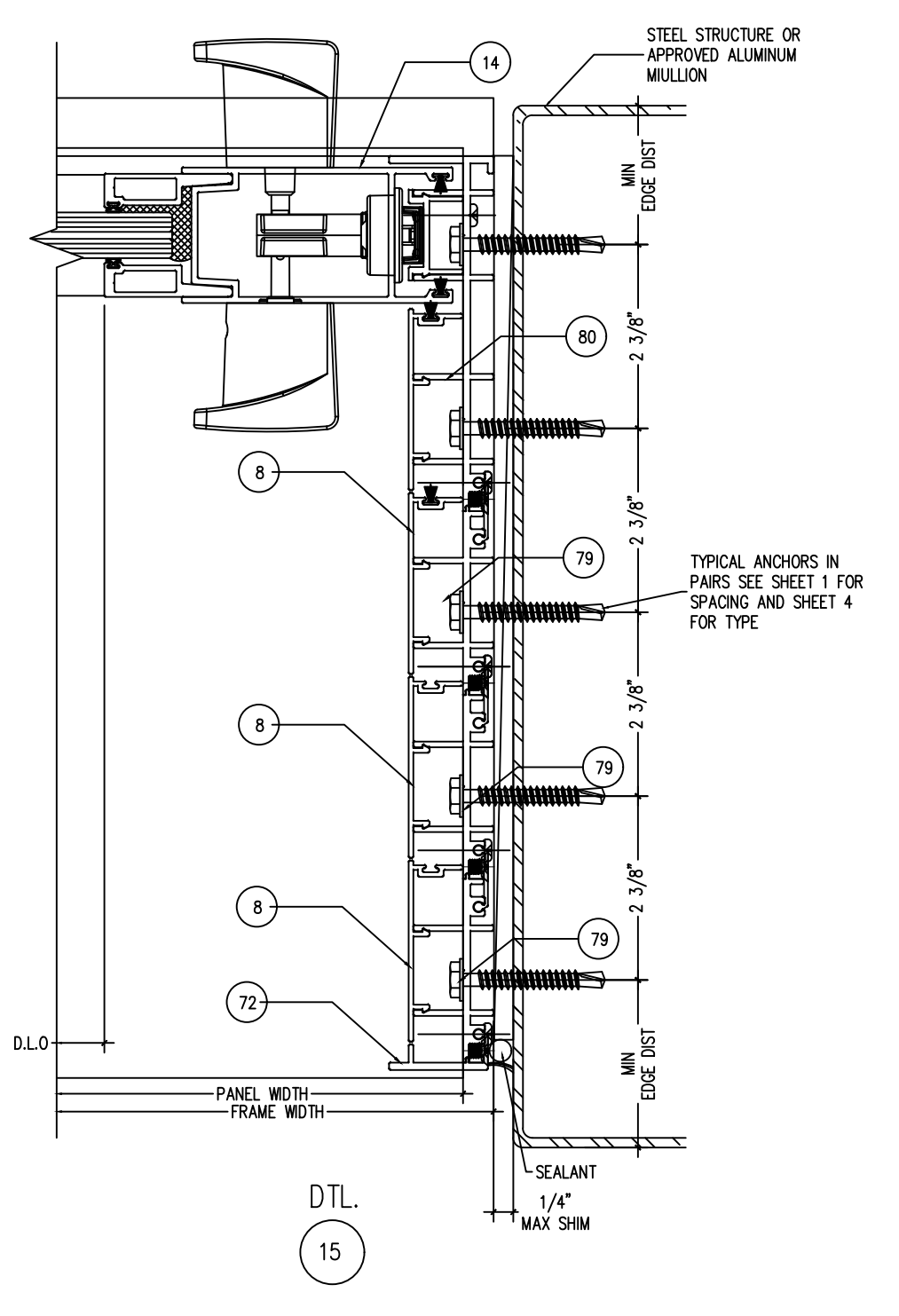
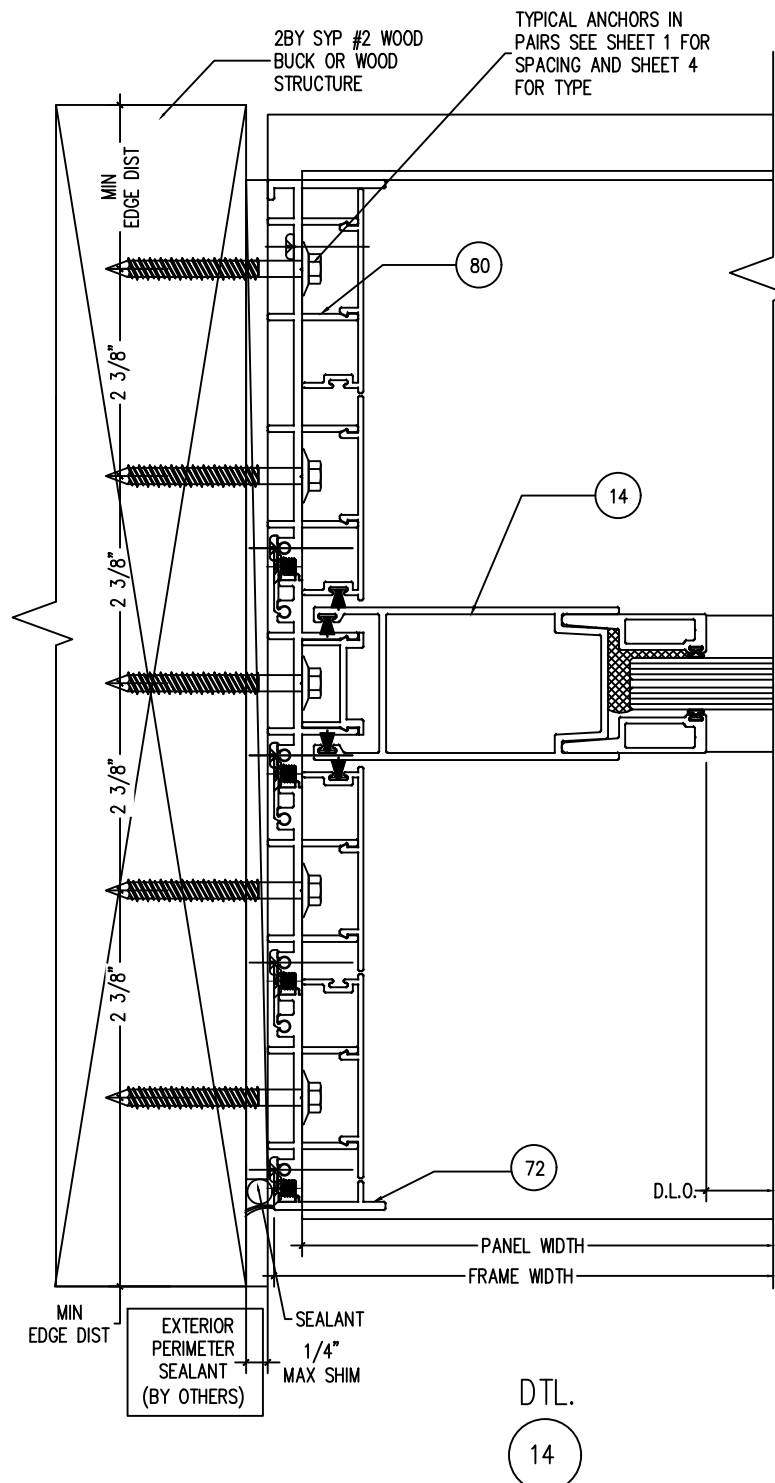
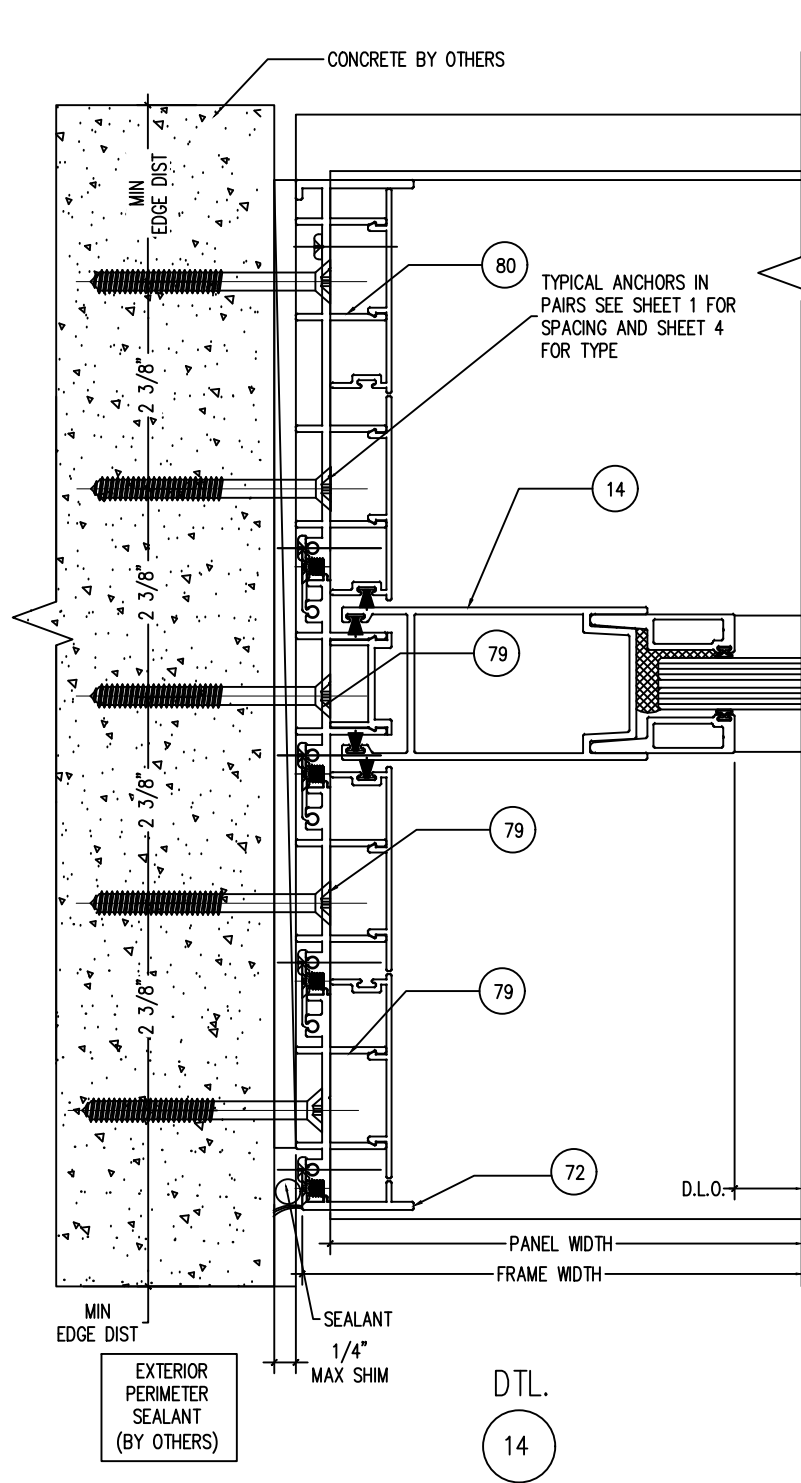
4250 CORAL RIDGE DRIVE  
 CORAL SPRINGS, FL 33065  
 PHONE: 954-784-6900  
 FAX: 954-688-9816

SEAL  
 William D. Cook, PE, State of Florida, Professional Engineer License No. 43904  
 This document has been digitally signed and sealed by William D. Cook on the date indicated in the digital signature. Printed copies of this document are not considered signed and sealed and the signature must be verified on any electronic copies.

  
 WILLIAM D. COOK  
 LICENSE No. 43904  
 STATE OF FLORIDA  
 PROFESSIONAL ENGINEER

WILLIAM D. COOK P.E.  
 LA P.E. #43904  
 FLA S.I. #2008

**BROMLEY-COOK ENGINEERING, INC.**  
 STRUCTURAL ENGINEERING SERVICES  
 5440 N.W. 33RD AVENUE SUITE 100  
 FORT LAUDERDALE, FLORIDA 33309  
 TEL: (954) 772-4624 FAX: (954) 772-4634

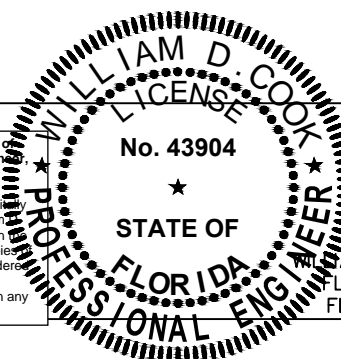


PROJECT NAME: VISTA VIEW SLIDING GLASS DOOR - LMI		
DRAWING NUMBER: VVSGD2022-03-25	DRAW BY: D.O.P.	PRODUCT APPROVAL NO.: FL 41125.1
SHT. 14 OF 17	SCALE:	DATE: 05/11/2023



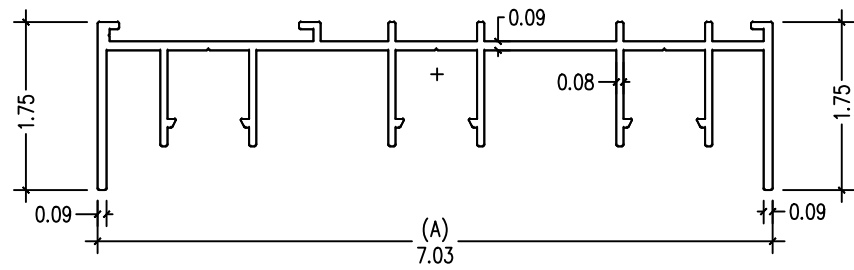
4250 CORAL RIDGE DRIVE  
CORAL SPRINGS, FL 33065  
PHONE: 954-784-6900  
FAX: 954-688-9816

SEAL  
William D. Cook, PE, State of Florida, Professional Engineer License No. 43904  
This document has been digitally signed and sealed by William D. Cook on the date indicated in digital signature. Printed copies of this document are not considered signed and sealed and the signature must be verified on any electronic copies.

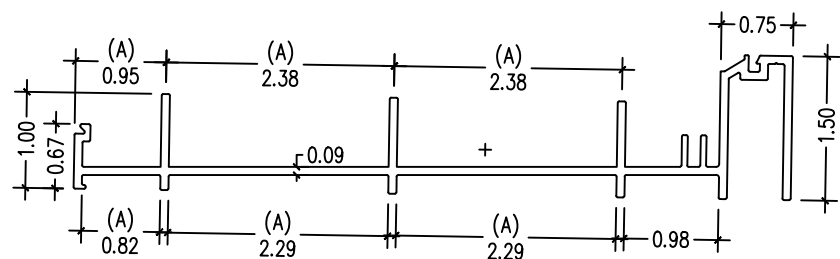


WILLIAM D. COOK P.E.  
FLA. P.E. #43904  
FLA. S.I. #2008

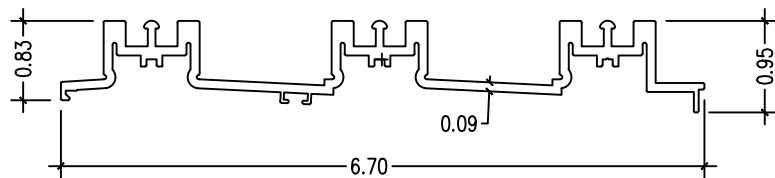
**BROMLEY-COOK ENGINEERING, INC.**  
STRUCTURAL ENGINEERING SERVICES  
5440 N.W. 33RD AVENUE SUITE 100  
FORT LAUDERDALE, FLORIDA 33309  
TEL: (954) 772-4624 FAX: (954) 772-4634



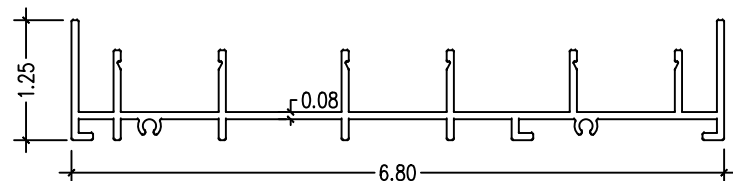
1 HEAD



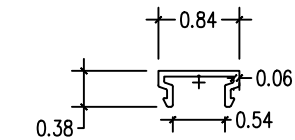
3 SILL PAN



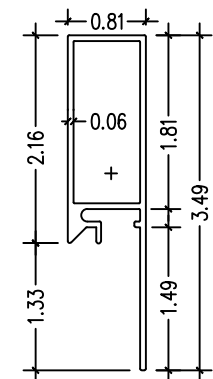
4 SILL



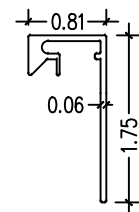
6 JAMB



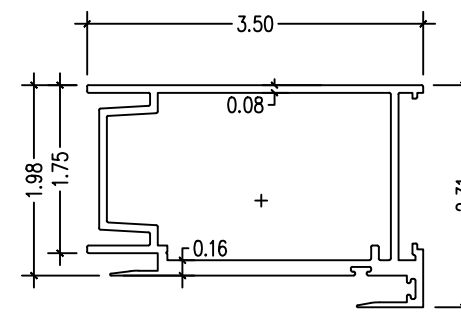
2 HEAD TRACK COVER



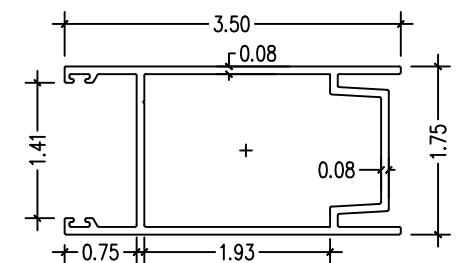
5 3.5" SILL RISER



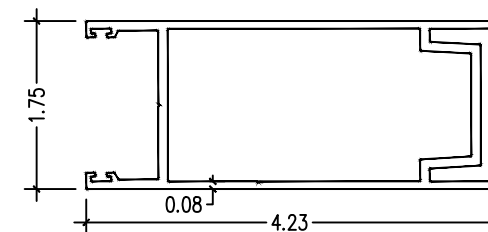
5A 1.75" SILL RISER



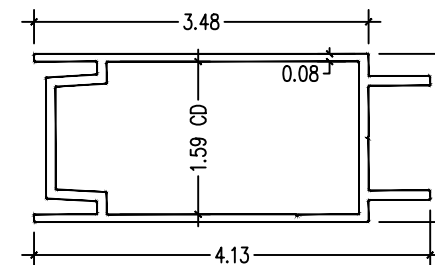
13 INTERLOCK STILE



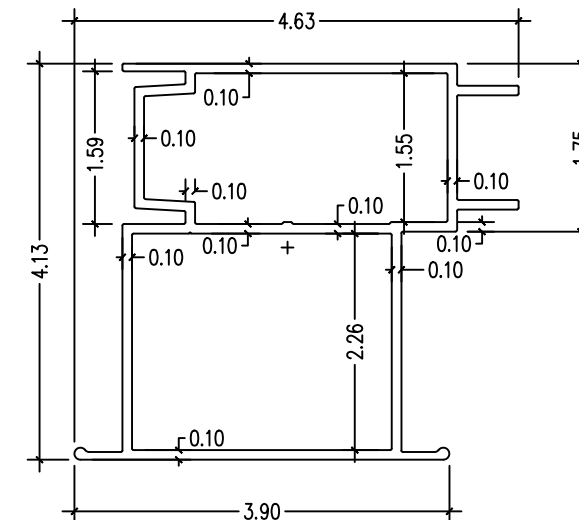
14 LOCK STILE



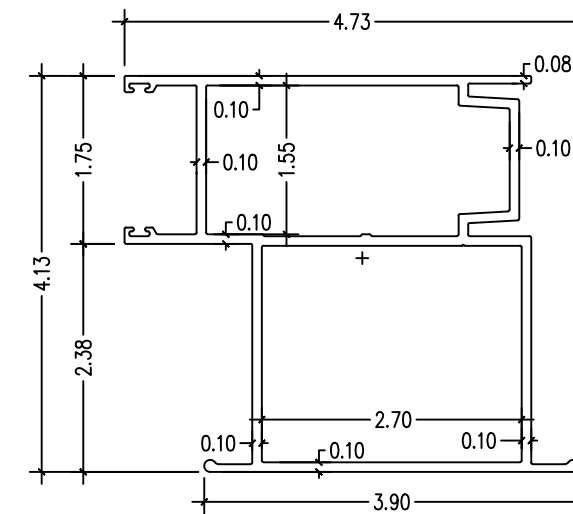
16 FEMALE BUTT STILE LITE



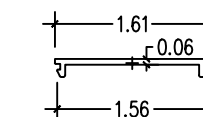
17 MALE BUTT STILE LITE



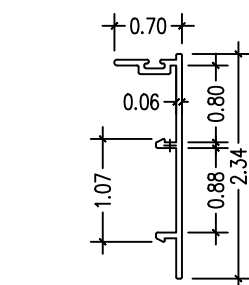
17A MALE BUTT STILE



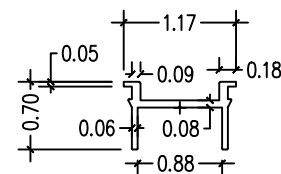
16A FEMALE BUTT STILE



18 INTERLOCK COVER

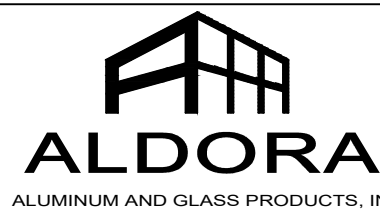


8 BUMPER JAMB INSERT



10 INSERT

PROJECT NAME: VISTA VIEW SLIDING GLASS DOOR - LMI		
DRAWING NUMBER: VVSGD2022-03-25	DRAW BY: D.O.P.	PRODUCT APPROVAL NO.: FL 41125.1
SHT. 15 OF 17	SCALE:	DATE: 05/11/2023

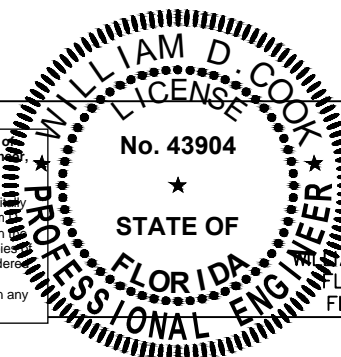


4250 CORAL RIDGE DRIVE  
CORAL SPRINGS, FL 33065  
PHONE: 954-784-6900  
FAX: 954-688-9816

SEAL

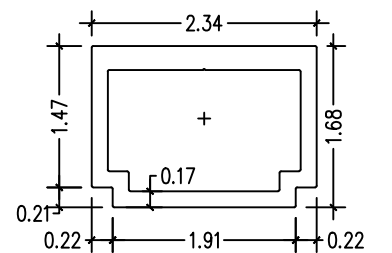
William D. Cook, PE, State of Florida, Professional Engineer License No. 43904

This document has been digitally signed and sealed by William D. Cook on the date indicated in the digital signature. Printed copies of this document are not considered signed and sealed and the signature must be verified on any electronic copies.

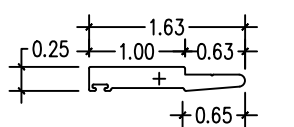


WILLIAM D. COOK P.E.  
LA P.E. #43904  
FLA S.I. #2008

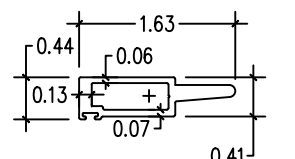
**BROMLEY-COOK ENGINEERING, INC.**  
STRUCTURAL ENGINEERING SERVICES  
5440 N.W. 33RD AVENUE SUITE 100  
FORT LAUDERDALE, FLORIDA 33309  
TEL: (954) 772-4624 FAX: (954) 772-4634



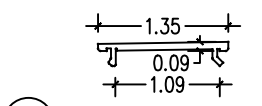
19 INTERLOCK REINFORCEMENT



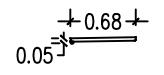
27 GLZ BEAD HORIZ IG



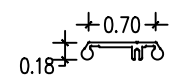
27 GLZ BEAD HORIZ



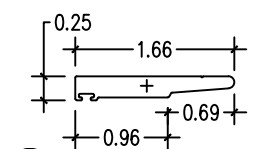
67 SILL COVER



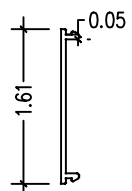
68 SILL SCREW COVER



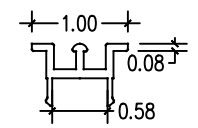
69 TYP. SPLICE



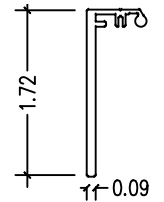
28 GLZ BEAD VERT IG



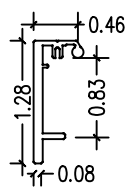
57 INTERLOCK COVER



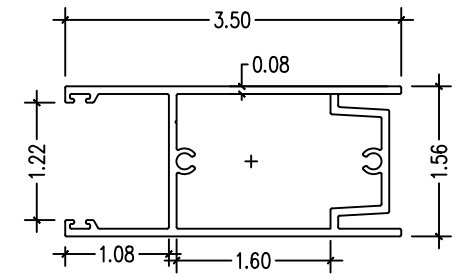
70 WHEEL GUIDE & COVER



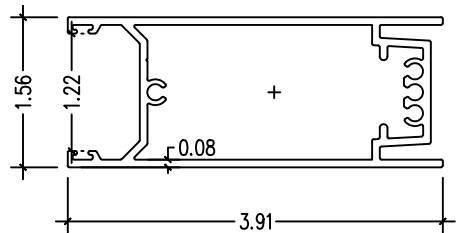
71 HEAD ADAPTOR



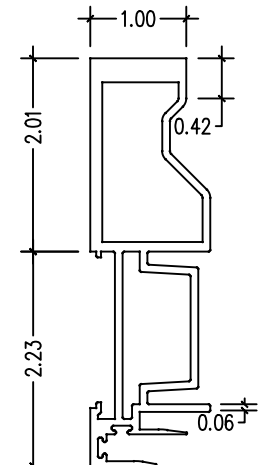
72 JAMB ADAPTOR



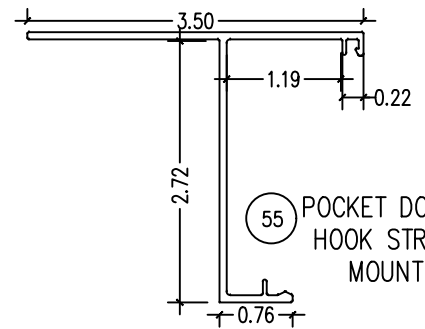
20 TOP RAIL



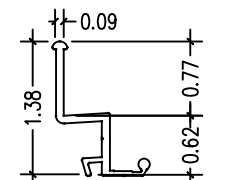
23 BOTTOM RAIL



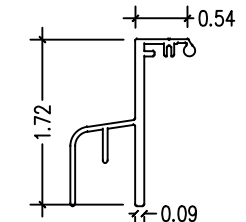
58 INTERLOCK



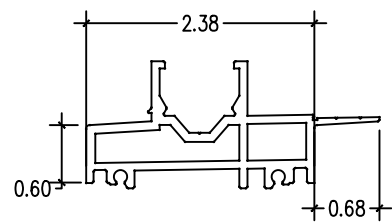
55 POCKET DOOR HOOK STRIP MOUNT



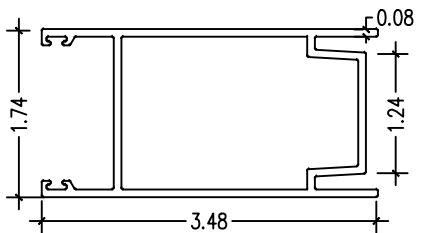
73 SCREEN SILL ADAPTOR



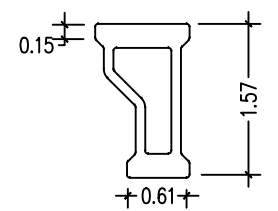
74 SCREEN HEAD/JAMB ADAPTOR



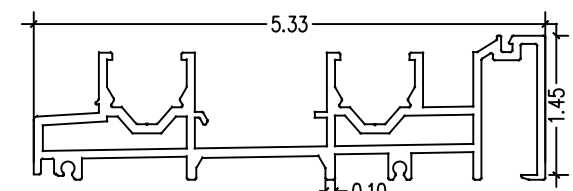
75 1 TRACK SILL EXTENSION



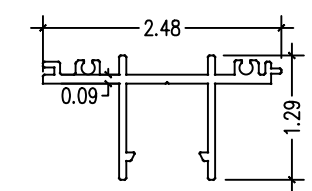
52 STILE



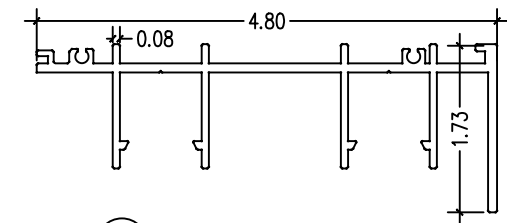
59 INTERLOCK REINFORCEMENT



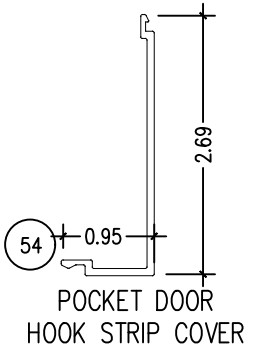
76 2 TRACKS SILL



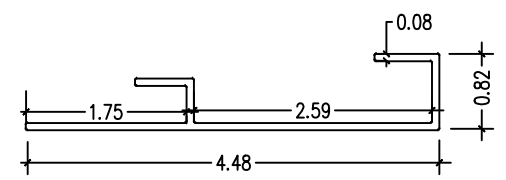
77 1 TRACK HEAD EXTENSION



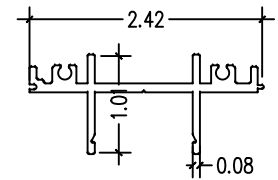
78 2 TRACKS HEAD



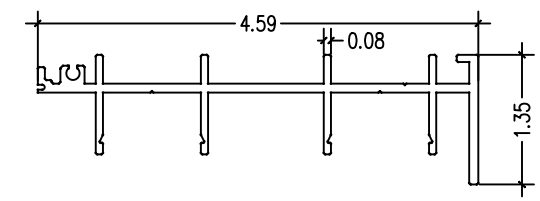
54 POCKET DOOR HOOK STRIP COVER



56 POCKET DOOR HOOK STRIP



79 1 TRACK JAMB EXTENSION



80 2 TRACKS JAMB

PROJECT NAME: VISTA VIEW SLIDING GLASS DOOR - LMI		
DRAWING NUMBER: VVSGD2022-03-25	DRAW BY: D.O.P.	PRODUCT APPROVAL NO.: FL 41125.1
SHT. 16 OF 17	SCALE:	DATE: 05/11/2023

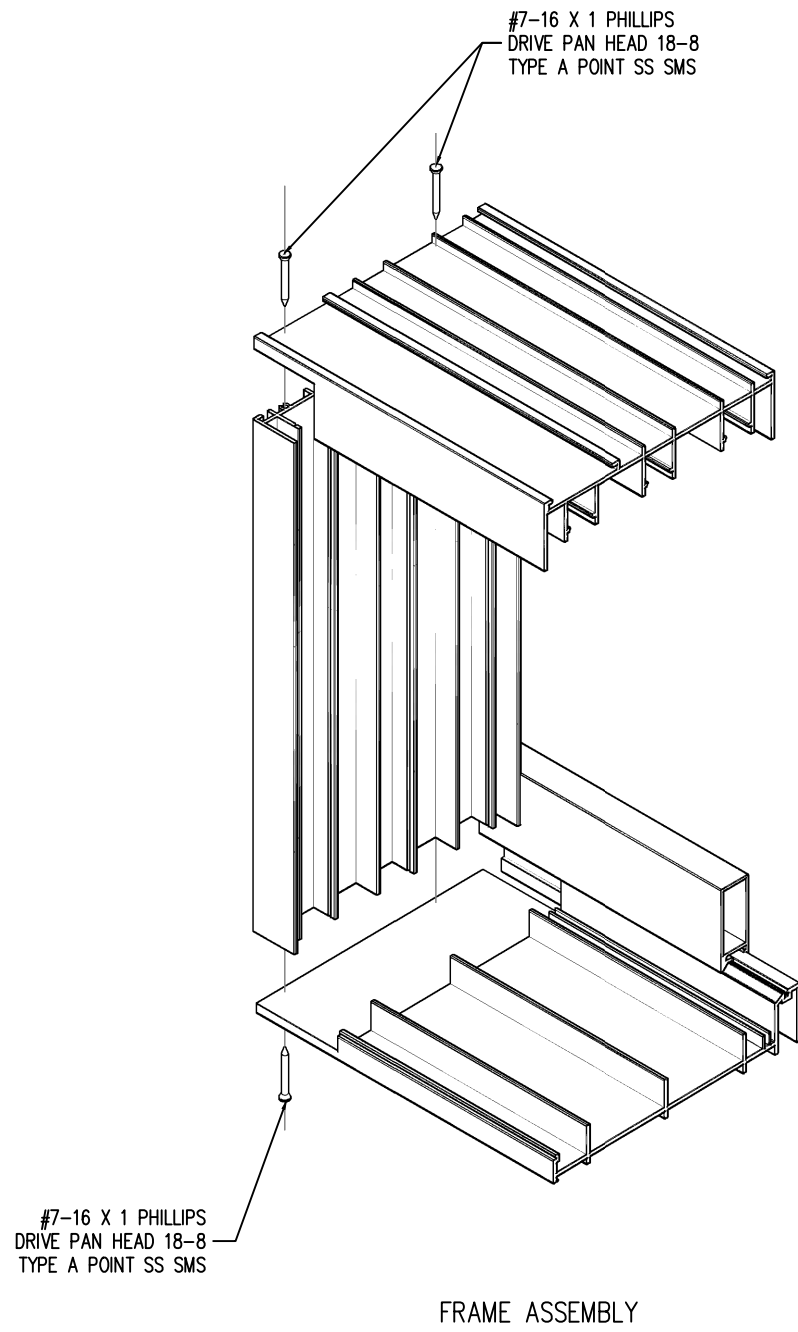
4250 CORAL RIDGE DRIVE  
CORAL SPRINGS, FL 33065  
PHONE: 954-784-6900  
FAX: 954-688-9816

SEAL  
William D. Cook, PE, State of Florida, Professional Engineer License No. 43904  
This document has been digitally signed and sealed by William D. Cook on the date indicated in the digital signature. Printed copies of this document are not considered signed and sealed and the signature must be verified on any electronic copies.

WILLIAM D. COOK  
LICENSE  
No. 43904  
STATE OF FLORIDA  
PROFESSIONAL ENGINEER

**BROMLEY-COOK ENGINEERING, INC.**  
STRUCTURAL ENGINEERING SERVICES  
5440 N.W. 33RD AVENUE SUITE 100  
FORT LAUDERDALE, FLORIDA 33309  
TEL: (954) 772-4624 FAX: (954) 772-4634





ALUM. EXTRUDED PARTS				ALUM. EXTRUDED PARTS			
ITEM	EXTRUSION #	DESCRIPTION	MATERIAL				
				76		2 TRACKS SILL	6063-T6
1	SMI-624	HEAD	6063-T6	77		1 TRACK HEAD EXTENSION	6063-T6
2	SMI-628	HEAD TRACK COVER	6063-T6	78		2 TRACKS HEAD	6063-T6
3	SMI-623	SILL PAN	6063-T6	79		1 TRACK JAMB EXTENSION	6063-T6
4	SMI-622	SILL	6063-T6	80		2 TRACKS JAMB	6063-T6
5	SMI-627	3.5" SILL RISER	6063-T6	MISCELLANEOUS & PARTS			
5A	SMI-623	1.75" SILL RISER	6063-T6				
6	SMI-625	JAMB	6063-T6	No.	DESCRIPTION		
8	SMI-629	BUMPER JAMB INSERT	6063-T6	30	GLAZING GASKET		
9		STILE		31	INTERLOCK BULB GASKET		
10	SMI-630	INSERT	6063-T6	32	PANEL WOOL PILE 0.187 X 0.290		
13	SMI-605	INTERLOCK	6063-T6	33	INTERLOCK WOOL PILE 0.187 X 0.350		
14	SMI-604	STILE	6063-T6	34	BUMPER JAMB WOOL PILE 0.187 X 300		
16	SMI-606	FEMALE BUTT STILE	6063-T6	35	DUST PLUG		
17	SMI-607	MALE BUTT STILE	6063-T6	36	DOW 995 GLAZING		
18	SMI-614	INTERLOCK COVER	6063-T6	37	TOP RAIL INJECTION MOLDED GUIDE		
19	SMI-632	INTERLOCK REINFORCEMENT	6063-T6	38	FIXED PANEL BOTTOM RAIL GUIDE		
20	SMI-601	TOP RAIL	6063-T6	39			
23	SMI-602	BOTTOM RAIL	6063-T6	40	1/4 X 1/2 X 2 SETTING BLOCK		
27	SMI-615	GLZ BEAD HORIZ	6063-T6	41	DRAIN PLUG		
28	SMI-616	GLZ BEAD VERT	6063-T6	42	WEEP		
29		FIX PANEL Z CLIP		43	DOW 995 GLAZING		
52	SMI-604	STILE	6063-T6	48	DOW SEALANT		
53	SMI-618	PLAIN STILE INTERLOCK	6063-T6	49	LOCK SET CREST		
54	SMI-621	POCKET DOOR HOOK STRIP COVER	6063-T6	50	DOW 795 GLAZING		
55	SMI-620	POCKET DOOR HOOK STRIP MOUNT	6063-T6	51	INTERLOCK BULB GASKET		
56	SMI-617	POCKET DOOR HOOK STRIP	6063-T6	57	TANDEM ROLLER		
57	SMI-614	INTERLOCK COVER	6063-T6	58	INTERLOCK WOOL PILE 0.187 X 0.350		
58	SMI-643	INTERLOCK	6063-T6	62	HOOK FASTENER 10-16 x 1/2" PHILLIPS DIVE PAN HEAD 18-8 SELF DRIVE SPACING MAX 15.426 O.C		
59	SMI-644	INTERLOCK REINFORCEMENT	6063-T6	63	INTERLOCK WOOL PILE 0.187 X 0.350		
67		SILL COVER	6063-T6	64	PANEL ASSEMBLY #10 X 1 SQUARE DRIVE PAN HEAD TYPE A POINT SMS		
68		SILL SCREW COVER	6063-T6	65	INTERLOCK BULB GASKET		
69		TYP. SPLICE	6063-T6	66	#10-16 x 3/4" LG. TEK SCREW PH 410 ST/ST		
70		WHEEL GUIDE & COVER	6063-T6				
71		HEAD ADAPTOR	6063-T6				
72		JAMB ADAPTOR	6063-T6				
73		SCREEN SILL ADAPTOR	6063-T6				
74		SCREEN HEAD/JAMB ADAPTOR	6063-T6				
75		1 TRACK SILL EXTENSION	6063-T6				

PROJECT NAME: VISTA VIEW SLIDING GLASS DOOR - LMI		
DRAWING NUMBER: VVSGD2022-03-25	DRAW BY: D.O.P.	PRODUCT APPROVAL NO.: FL 41125.1
SHT. 17 OF 17	SCALE:	DATE: 05/11/2023



4250 CORAL RIDGE DRIVE  
CORAL SPRINGS, FL 33065  
PHONE: 954-784-6900  
FAX: 954-688-9816

SEAL  
William D. Cook, PE, State of Florida, Professional Engineer License No. 43904  
This document has been digitally signed and sealed by William D. Cook on the date indicated in the digital signature. Printed copies of this document are not considered signed and sealed and the signature must be verified on any electronic copies.

WILLIAM D. COOK  
LICENSE  
No. 43904  
STATE OF FLORIDA  
PROFESSIONAL ENGINEER

WILLIAM D. COOK P.E.  
FLA P.E. #43904  
FLA S.I. #2008

**BROMLEY-COOK ENGINEERING, INC.**  
STRUCTURAL ENGINEERING SERVICES  
5440 N.W. 33RD AVENUE SUITE 100  
FORT LAUDERDALE, FLORIDA 33309  
TEL: (954) 772-4624 FAX: (954) 772-4634