

### VistaView Aluminum Outswing Casement Window

DESIGN LOAD RATINGS FOR THESE WINDOWS TO BE AS PER CHARTS SHOWN ON SHEET 2.

APPROVAL APPLIES TO SINGLE VENT(X) OR DUAL VENTS(XX) WINDOWS, ALSO SIDE BY SIDE COMBINATIONS OF CASMT./CASMT. OR CASEMENT WITH OTHER WINDOW TYPES IN MODULES OF TWO OR MORE WINDOWS USING APPROVED MULLIONS IN BETWEEN. LOWER DESIGN PRESSURE FROM WINDOW OR MULLION APPROVAL WILL APPLY TO ENTIRE SYSTEM.

THIS PRODUCT HAS BEEN DESIGNED AND TESTED TO COMPLY WITH THE REQUIREMENTS OF THE 2020 (7TH EDITION)/2023 (8TH EDITION) FLORIDA BUILDING CODE INCLUDING HIGH VELOCITY HURRICANE ZONE (HVHZ).

1BY OR 2BY WOOD BUCKS & BUCK FASTENERS BY OTHERS, MUST BE DESIGNED AND INSTALLED ADEQUATELY TO TRANSFER APPLIED PRODUCT LOADS TO THE BUILDING STRUCTURE.

ANCHORS SHALL BE CORROSION RESISTANT, SPACED AS SHOWN ON DETAILS AND INSTALLED PER MANUF'S INSTRUCTIONS. SPECIFIED EMBEDMENT TO BASE MATERIAL SHALL BE BEYOND WALL DRESSING OR STUCCO.

A LOAD DURATION INCREASE IS USED IN DESIGN OF ANCHORS INTO WOOD ONLY.

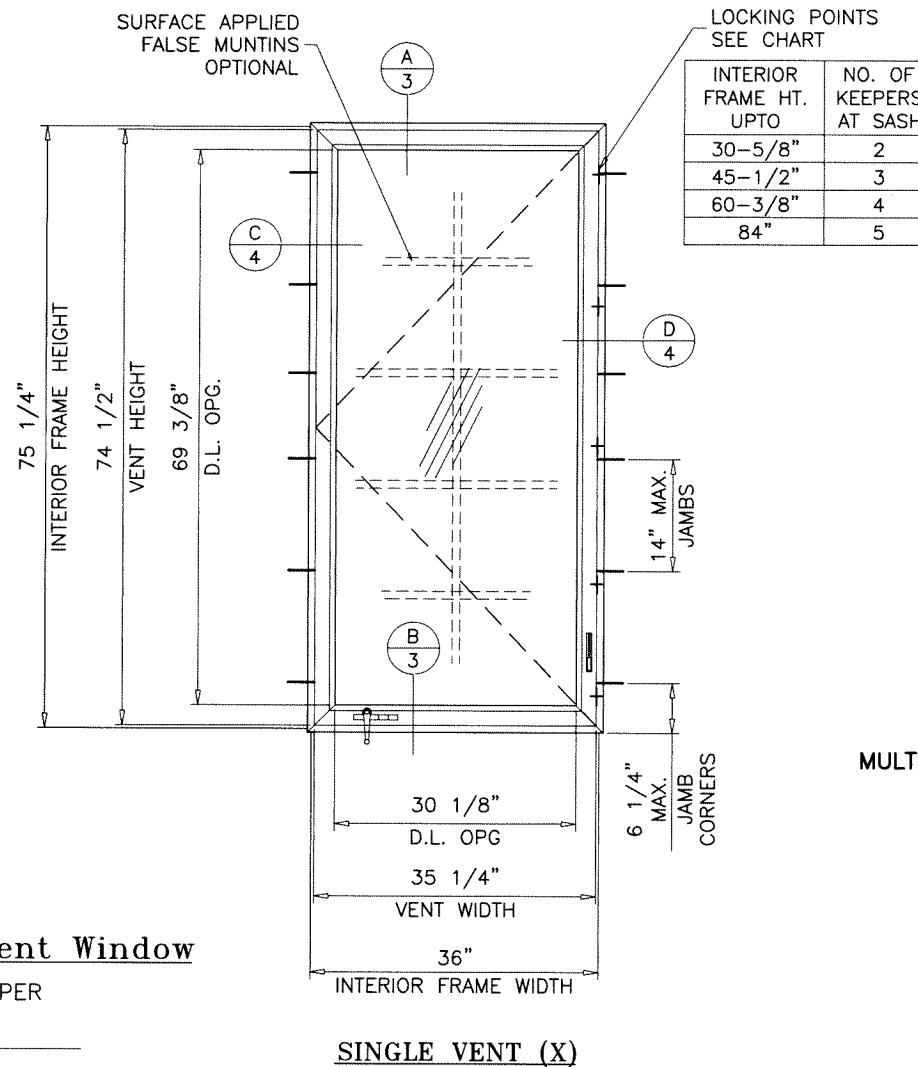
ALL SHIMS TO BE HIGH IMPACT, NON-METALLIC AND NON-COMPRESSIBLE.

MATERIALS INCLUDING BUT NOT LIMITED TO STEEL/METAL SCREWS, THAT COME INTO CONTACT WITH OTHER DISSIMILAR MATERIALS SHALL MEET THE REQUIREMENTS OF THE 2020/2023 FLORIDA BLDG. CODE & ADOPTED STANDARDS.

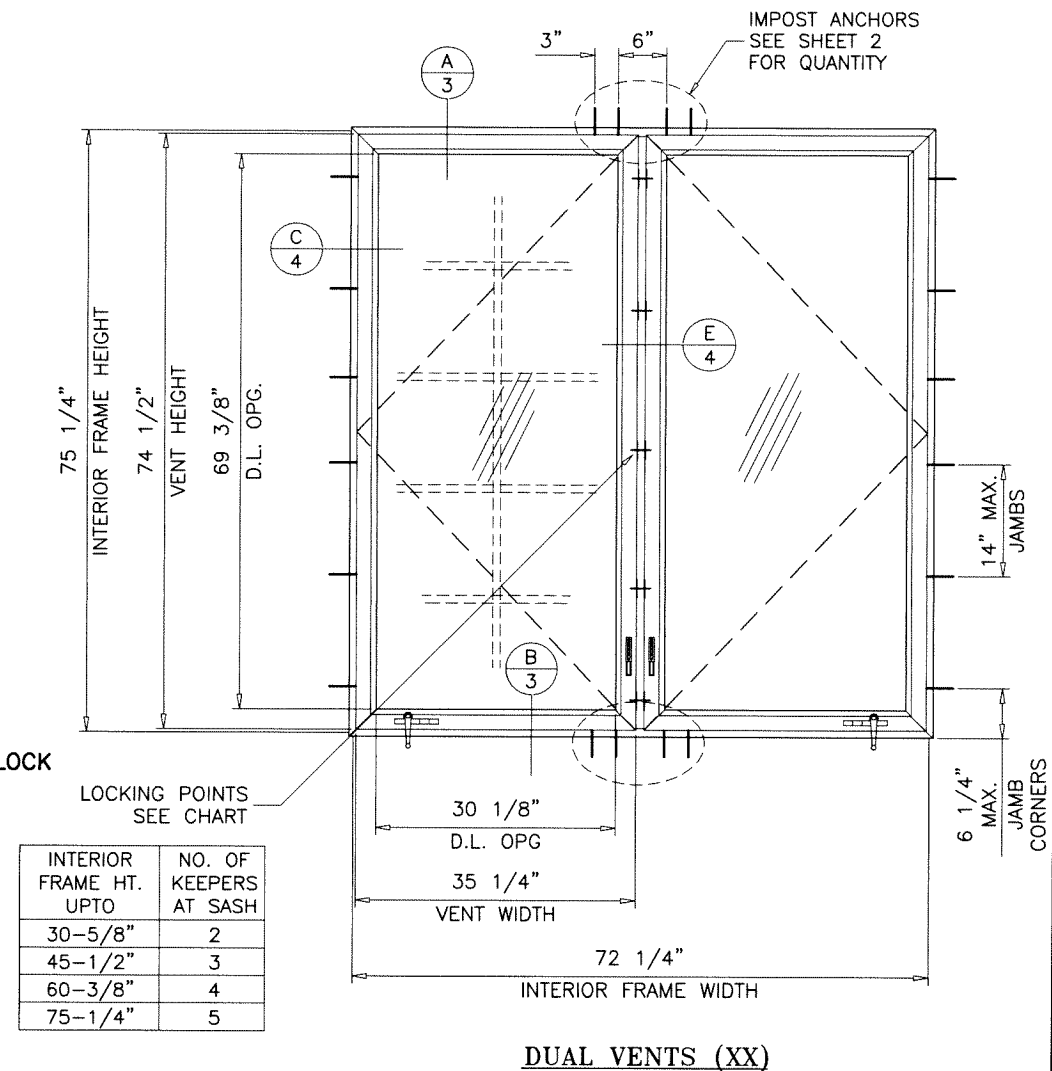
THIS PRODUCT APPROVAL IS GENERIC AND DOES NOT PROVIDE INFORMATION FOR A SITE SPECIFIC PROJECT, I.E. LIFE SAFETY OF THIS PRODUCT, ADEQUACY OF STRUCTURE RECEIVING THIS PRODUCT AND SEALING AROUND OPENING FOR WATER INFILTRATION RESISTANCE ETC.

CONDITIONS NOT SHOWN IN THIS DRAWING ARE TO BE ANALYZED SEPARATELY, AND TO BE REVIEWED BY BUILDING OFFICIAL.

DESIGN LOADS SHOWN ARE BASED ON 'ALLOWABLE STRESS DESIGN (ASD)'. MANUFACTURER'S LABEL SHALL BE LOCATED ON A READILY VISIBLE LOCATION IN ACCORDANCE WITH SECTION 1709.9.3 OF FLORIDA BUILDING CODE. LABELING TO COMPLY WITH SECTION 1709.9.2.



MULTI POINT LOCK



### TYPICAL ELEVATIONS

TESTED UNITS

THESE WINDOWS ARE RATED FOR LARGE & SMALL MISSILE IMPACT. SHUTTERS ARE NOT REQUIRED.

Sealed: 7/12/2023

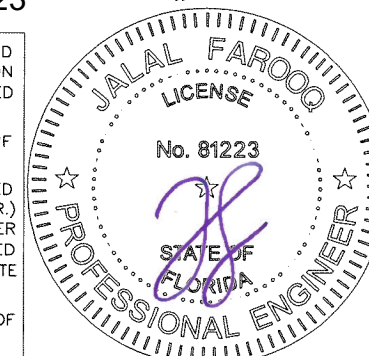
FL #41347

A- CONTRACTOR TO BE RESPONSIBLE FOR THE SELECTION, PURCHASE AND INSTALLATION OF THIS PRODUCT BASED ON THIS PRODUCT EVALUATION PROVIDED HE/SHE DOES NOT DEVIATE FROM THE CONDITIONS DETAILED ON THIS DOCUMENT.

B- THIS PRODUCT EVALUATION DOCUMENT WILL BE CONSIDERED INVALID IF ALTERED BY ANY MEANS.

C- SITE SPECIFIC PROJECTS SHALL BE PREPARED BY A FLORIDA REGISTERED ENGINEER OR ARCHITECT WHICH WILL BECOME THE ENGINEER OF RECORD (E.O.R.) FOR THE PROJECT AND WHO WILL BE RESPONSIBLE FOR THE PROPER USE OF THE P.E.D. ENGINEER OF RECORD, ACTING AS A DELEGATED ENGINEER TO THE P.E.D. ENGINEER SHALL SUBMIT TO THIS LATTER THE SITE SPECIFIC DRAWINGS FOR REVIEW.

D- THIS P.E.D. SHALL BEAR THE DATE AND ORIGINAL SEAL AND SIGNATURE OF THE PROFESSIONAL ENGINEER OF RECORD THAT PREPARED IT.



**af c**  
AL-FAROOQ CORPORATION  
ENGINEERS & PRODUCT DEVELOPMENT  
9360 SUNSET DRIVE, SUITE 220  
MIAMI, FLORIDA 33173  
TEL. (305) 264-8100  
WWW.AFCENG.COM  
FBPE #3538  
COMP-ANL\22-11F-AAG

VistaView Alum Outswing Casement Wdw. (L.M.I.)  
**Aldora Aluminum & Glass Products Inc.**  
4250 Coral Ridge Drive, Suite 101  
Coral Springs, FL. 33065  
Tel. (954) 784-6900 Fax. (954) 784-6901

no	date	description
A	12.15.22	SINGLE CASMT HEIGHTS ADDED
B	07.01.23	UPDATED TO 2023 FBC

revisions:

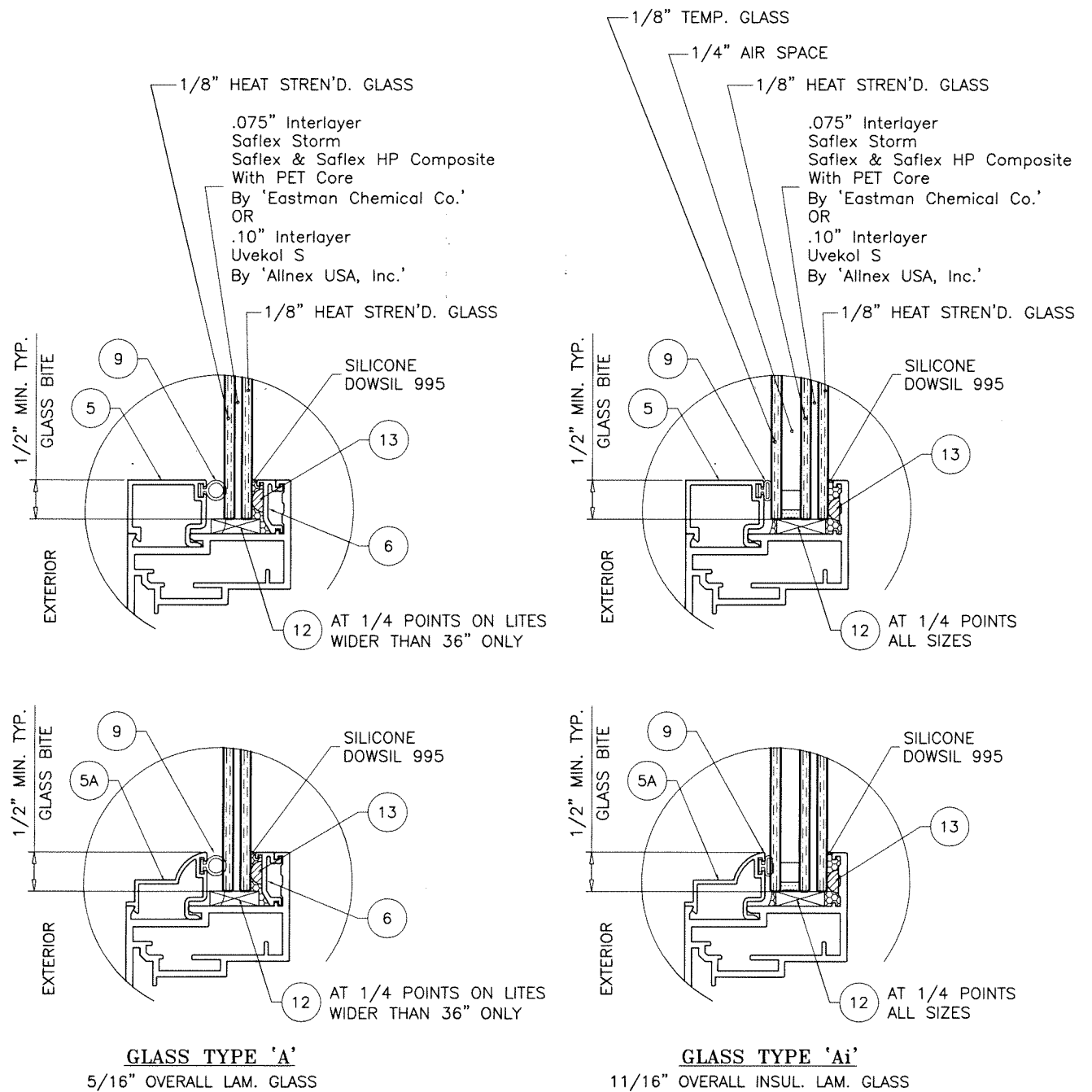
date: 03-30-22  
scale: 1/2" = 1'-0"  
dr. by: TARIQ  
chk. by:

drawing no.  
**22-11F**

sheet 1 of 6

DESIGN LOAD CAPACITY - PSF SINGLE VENT (X SIZES)				DESIGN LOAD CAPACITY - PSF DUAL VENTS (XX SIZES)					
INTERIOR FRAME DIMS.		GLASS TYPES 'A' & 'Ai'		INTERIOR FRAME DIMS.		GLASS TYPES 'A' & 'Ai'			
WIDTH	HEIGHT	EXT.(+)	INT.(-)	WIDTH	HEIGHT	IMPOST W/O REINF.	IMPOST W/ REINF.	EXT.(+)	INT.(-)
18-1/8"		80.0	85.0	36"		80.0	85.0	80.0	85.0
25-1/2"	25"	80.0	85.0	52-1/8"	25"	80.0	85.0	80.0	85.0
36"		80.0	85.0	73"	(4)	80.0	85.0	80.0	85.0
18-1/8"		80.0	85.0	36"		80.0	85.0	80.0	85.0
25-1/2"	37-3/8"	80.0	85.0	52-1/8"	37-3/8"	80.0	85.0	80.0	85.0
36"		80.0	85.0	73"	(4)	80.0	85.0	80.0	85.0
18-1/8"		80.0	85.0	36"		80.0	85.0	80.0	85.0
25-1/2"	49-5/8"	80.0	85.0	52-1/8"	49-5/8"	80.0	85.0	80.0	85.0
36"		80.0	85.0	73"	(4)	80.0	85.0	80.0	85.0
18-1/8"		80.0	85.0	36"		80.0	85.0	80.0	85.0
25-1/2"	55"	80.0	85.0	52-1/8"	55"	80.0	85.0	80.0	85.0
36"		80.0	85.0	73"	(4)	80.0	85.0	80.0	85.0
18-1/8"		80.0	85.0	36"		80.0	85.0	80.0	85.0
25-1/2"	62"	80.0	85.0	52-1/8"	62"	80.0	85.0	80.0	85.0
36"		80.0	85.0	73"	(4)	80.0	85.0	80.0	85.0
18-1/8"		80.0	85.0	36"		80.0	85.0	80.0	85.0
25-1/2"	71"	80.0	85.0	52-1/8"	71"	80.0	85.0	80.0	85.0
36"		80.0	85.0	73"	(6)	76.6	76.6	80.0	85.0
18-1/8"		80.0	85.0	36"		80.0	85.0	80.0	85.0
25-1/2"	75"	80.0	85.0	52-1/8"	75"	80.0	85.0	80.0	85.0
36"		80.0	85.0	73"	(6)	66.9	66.9	80.0	85.0
35-5/8"	76"	80.0	85.0	23"		80.0	85.0	80.0	85.0
33-3/4"	80"	80.0	85.0	35"		80.0	85.0	80.0	85.0
32-1/4"	84"	80.0	85.0	47"	23"	80.0	85.0	80.0	85.0
11"		80.0	85.0	59"	(4)	80.0	85.0	80.0	85.0
17"	23"	80.0	85.0	75"		80.0	85.0	80.0	85.0
23"		80.0	85.0	83"		80.0	85.0	80.0	85.0
29"		80.0	85.0	23"	35"	80.0	85.0	80.0	85.0
37"		80.0	85.0	35"		80.0	85.0	80.0	85.0
41"		80.0	85.0	47"	(4)	80.0	85.0	80.0	85.0
11"		80.0	85.0	59"		80.0	85.0	80.0	85.0
17"	35"	80.0	85.0	75"		80.0	85.0	80.0	85.0
23"		80.0	85.0	83"		80.0	85.0	80.0	85.0
29"		80.0	85.0	23"	47"	80.0	85.0	80.0	85.0
37"		80.0	85.0	35"		80.0	85.0	80.0	85.0
41"		80.0	85.0	47"	(4)	80.0	85.0	80.0	85.0
11"		80.0	85.0	59"		80.0	85.0	80.0	85.0
17"	47"	80.0	85.0	75"		80.0	85.0	80.0	85.0
23"		80.0	85.0	83"		78.0	82.9	80.0	85.0
29"		80.0	85.0	23"	59"	80.0	85.0	80.0	85.0
37"		80.0	85.0	35"		80.0	85.0	80.0	85.0
41"		78.0	82.9	47"	(4)	80.0	85.0	80.0	85.0
11"		80.0	85.0	59"		80.0	85.0	80.0	85.0
17"	59"	80.0	85.0	75"		80.0	85.0	80.0	85.0
23"		80.0	85.0	83"		78.0	82.9	80.0	85.0
29"		80.0	85.0	23"	71"	80.0	85.0	80.0	85.0
37"		80.0	85.0	35"		80.0	85.0	80.0	85.0
41"		78.0	82.9	47"	(6)	80.0	85.0	80.0	85.0
11"		80.0	85.0	59"		75.0	75.0	80.0	85.0
17"	71"	80.0	85.0	75"					
23"		80.0	85.0						
29"		80.0	85.0						
37"		77.8	82.7						

( ) = NO. OF ANCHORS AT IMPOST ENDS

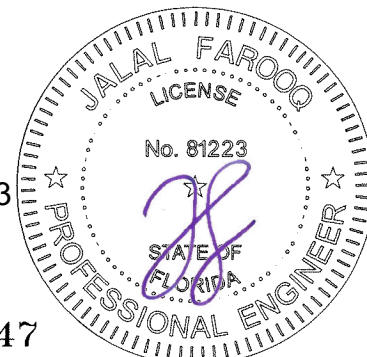


**GLASS TYPE 'A'**  
5/16" OVERALL LAM. GLASS

**GLASS TYPE 'Ai'**  
11/16" OVERALL INSUL. LAM. GLASS

1/4" AIR SPACE CONSISTING OF:  
'DURASEAL' EDGE SEAL SYSTEM  
BY 'QUANEX'

Sealed: 7/12/2023



FL #41347

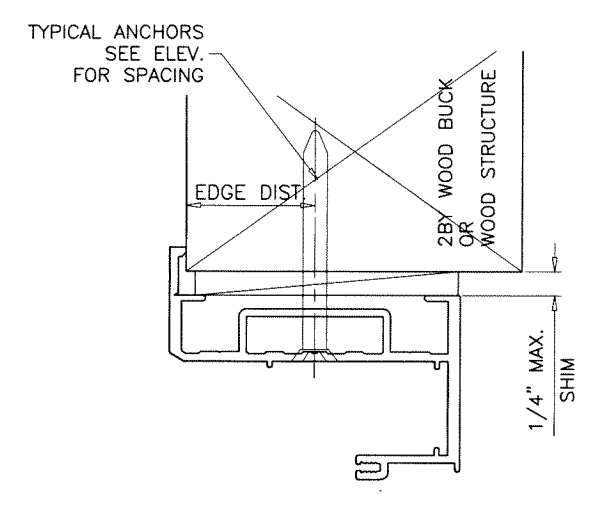
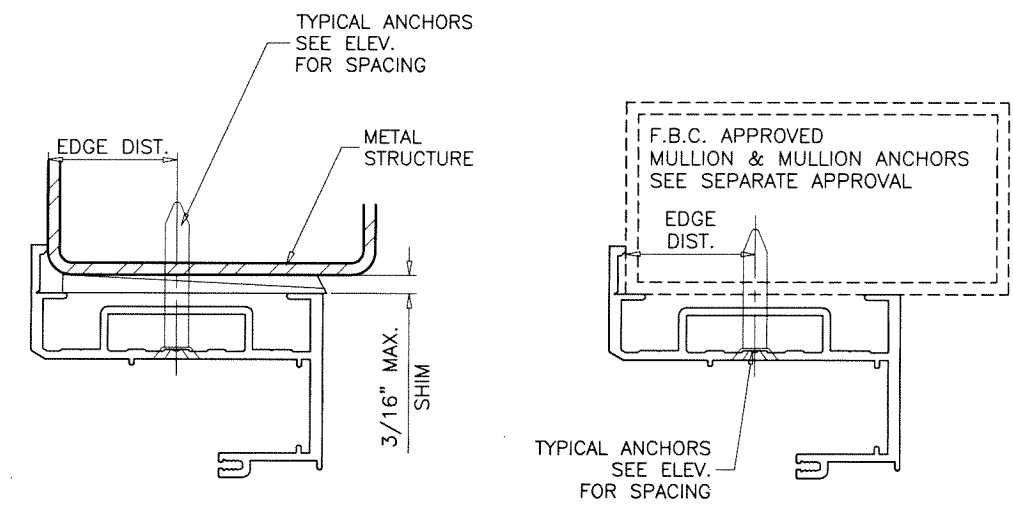
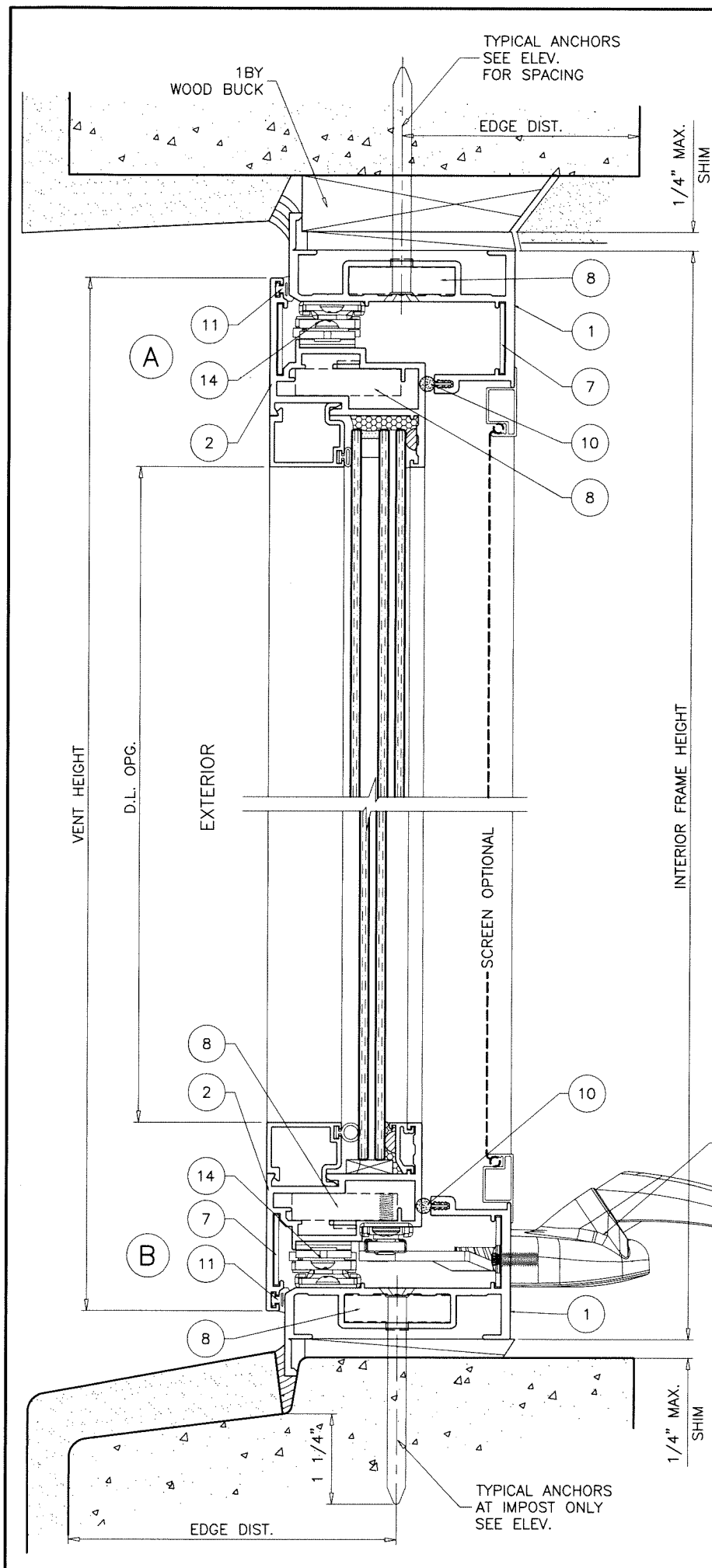
**AL-FAROOQ CORPORATION**  
ENGINEERS & PRODUCT DEVELOPMENT  
9360 SUNSET DRIVE, SUITE 220  
MIAMI, FLORIDA 33173  
TEL. (305) 264-8100 WWW.AFCENG.COM  
COMP-ANL 22-11F-AAG  
FBPE #3538

VistaView Alum Outswing Casement Wdw. (L.M.I.)  
**Aldora Aluminum & Glass Products Inc.**  
4250 Coral Ridge Drive, Suite 101  
Coral Springs, FL. 33065  
Tel. (954) 784-6900 Fax. (954) 784-6901

no	date	description

date: 03-30-22	scale: 1/2" = 1"
dr. by: TARIQ	chk. by:
drawing no. 22-11F	
sheet 2 of 6	



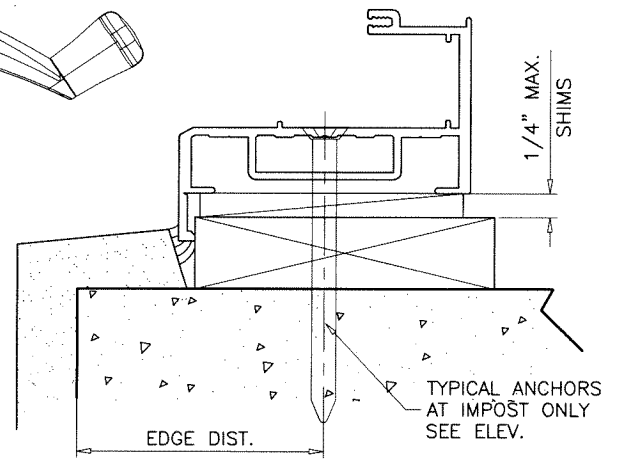


WOOD BUCKS AND METAL STRUCTURE NOT BY 'ALDORA' MUST SUSTAIN LOADS IMPOSED BY GLAZING SYSTEM AND TRANSFER THEM TO THE BUILDING STRUCTURE.

**TYPICAL ANCHORS:** SEE ELEV. FOR SPACING  
**1/4" DIA. ULTRACON+ BY 'DEWALT'** (Fu=164 KSI, Fy=148 KSI)  
 INTO 2BY WOOD BUCKS OR WOOD STRUCTURES  
 1-1/2" MIN. PENETRATION INTO WOOD (HEAD/SILL/JAMBS)  
 THRU 1BY BUCKS INTO CONC. OR BLOCKS  
 1-1/4" MIN. EMBED INTO CONCRETE (HEAD/SILL/JAMBS)  
 1-1/4" MIN. EMBED INTO BLOCKS (JAMBS)  
 DIRECTLY INTO CONCRETE OR BLOCKS  
 1-1/4" MIN. EMBED INTO CONCRETE (HEAD/SILL/JAMBS)  
 1-1/4" MIN. EMBED INTO BLOCKS (JAMBS)  
**1/4" DIA. TEKS OR SELF-DRILLING SCREWS** (GRADE 5 CRS)  
 INTO MIAMI-DADE COUNTY APPROVED MULLIONS AND  
 INTO METAL STRUCTURES (HEAD/SILL/JAMBS)  
 (3) THREADS MIN. TO EXTEND BEYOND METAL THICKNESS  
 ALUMINUM: 1/8" THK. MIN. (6063-T5 MIN.)  
 STEEL: 1/8" THK. MIN. (Fy = 36 KSI MIN.)  
 (STEEL IN CONTACT WITH ALUMINUM TO BE PLATED OR PAINTED)

**CRITICAL EDGE DISTANCE**  
 INTO CONCRETE AND BLOCKS = 2-1/2" MIN.  
 INTO WOOD STRUCTURE = 1" MIN.  
 INTO METAL STRUCTURE = 3/4" MIN.

WOOD AT HEAD, SILL OR JAMBS SG = 0.55 MIN.  
 CONCRETE AT HEAD, SILL OR JAMBS f'c = 3000 PSI MIN.  
 C-90 HOLLOW/FILLED BLOCK AT JAMBS f'm = 2000 PSI MIN.



Sealed: 7/12/2023



FL #41347

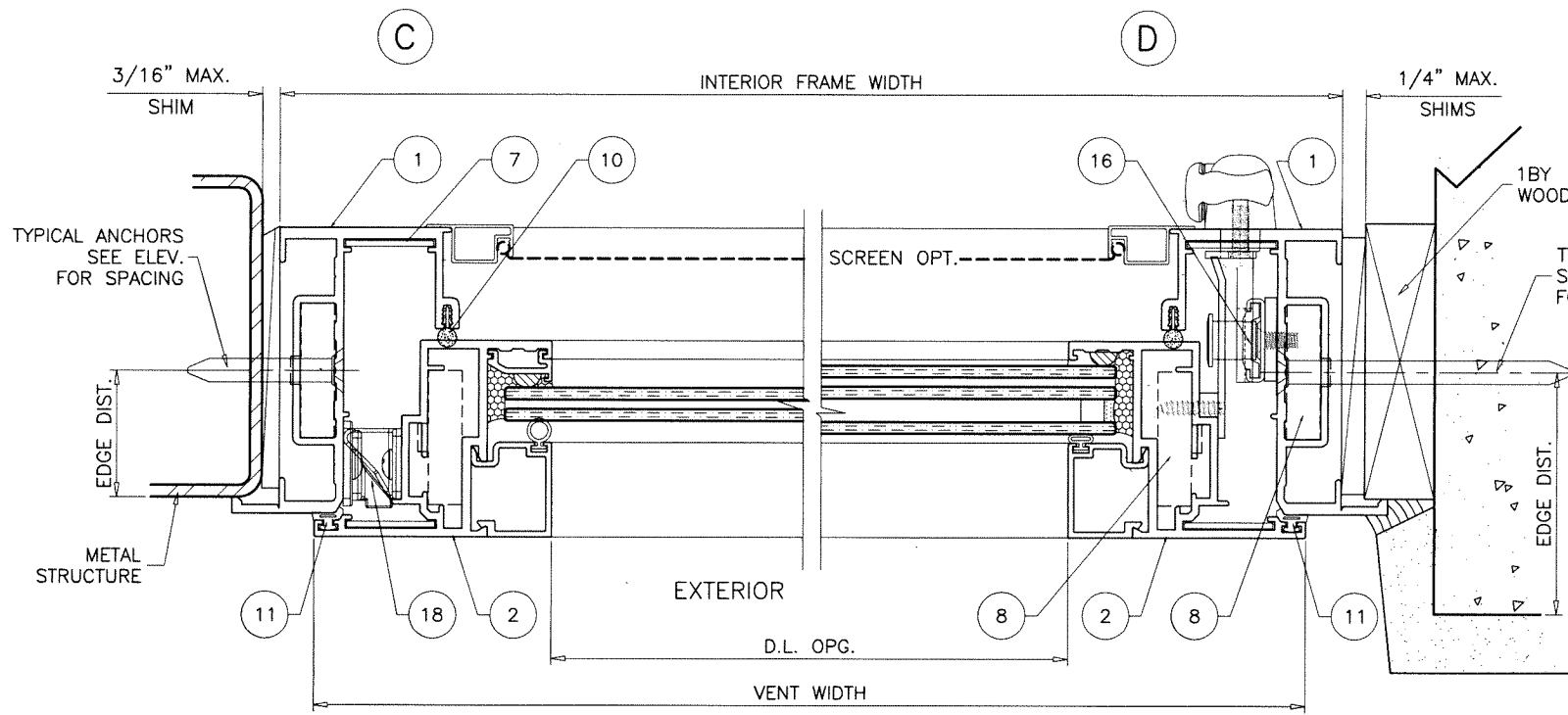
**af c**  
**AL-FAROOQ CORPORATION**  
 ENGINEERS & PRODUCT DEVELOPMENT  
 9360 SUNSET DRIVE, SUITE 220  
 MIAMI, FLORIDA 33173  
 TEL. (305) 264-8100 WWW.AFCENG.COM  
 FBPE #3538 COMP-ANL\22-11F-AAG

VistaView Alum Outswing Casement Wdw. (L.M.I.)  
**Aldora Aluminum & Glass Products Inc.**  
 4250 Coral Ridge Drive, Suite 101  
 Coral Springs, FL 33065  
 Tel. (954) 784-6900 Fax. (954) 784-6901

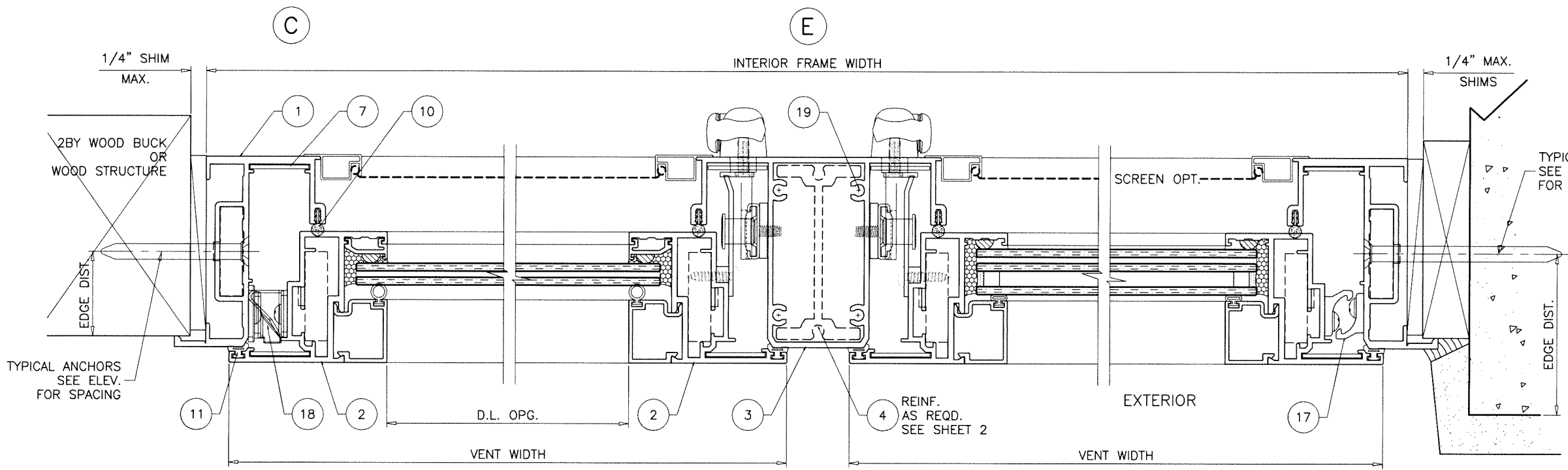
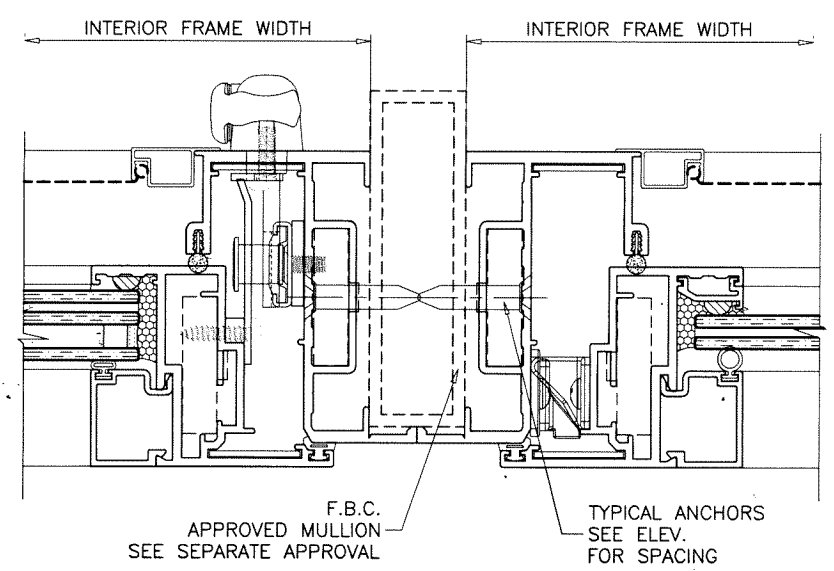
revisions:	no	date	by	description

date: 03-30-22  
 scale: 1/2" = 1"  
 dr. by: TARIQ  
 chk. by:  

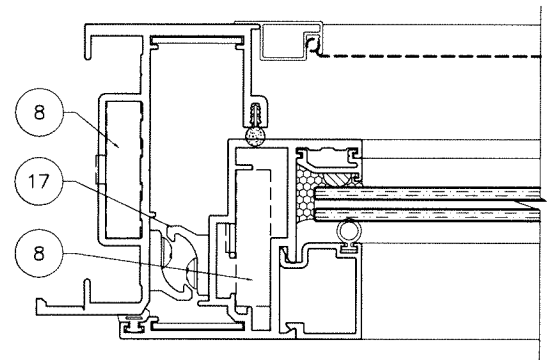
drawing no.  
**22-11F**  
 sheet 3 of 6



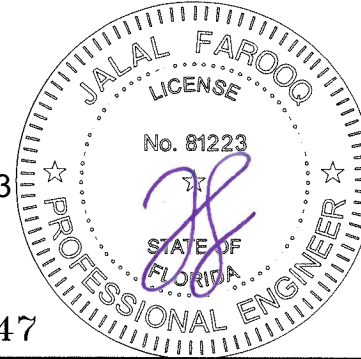
SINGLE VENT WINDOWS



DUAL VENT WINDOWS



Sealed: 7/12/2023



FL #41347

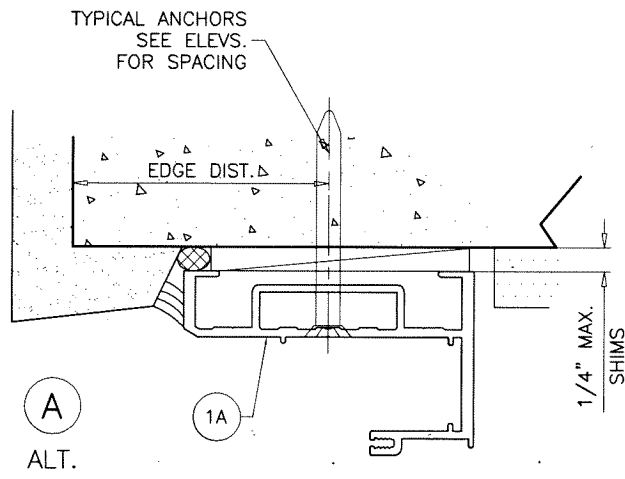
**af c**  
**AL-FAROOQ CORPORATION**  
 ENGINEERS & PRODUCT DEVELOPMENT  
 9360 SUNSET DRIVE, SUITE 220  
 MIAMI, FLORIDA 33173  
 TEL. (305) 264-8100  
 WWW.AFCENG.COM  
 FBPE #3538  
 COMP-ANL 22-11F-AAG

VistaView Alum Outswing Casement Wdw. (L.M.I.)  
**Aldora Aluminum & Glass Products Inc.**  
 4250 Coral Ridge Drive, Suite 101  
 Coral Springs, FL. 33065  
 Tel. (954) 784-6900 Fax. (954) 784-6901

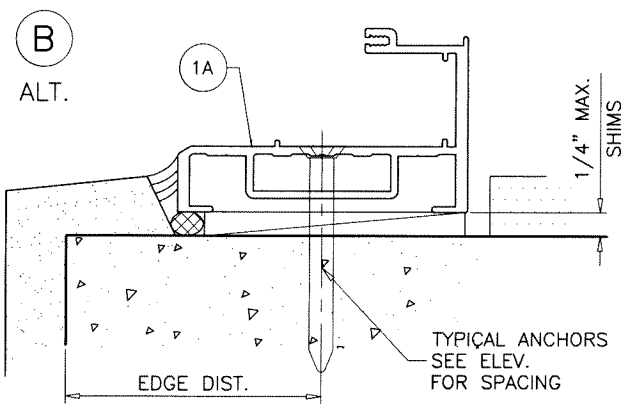
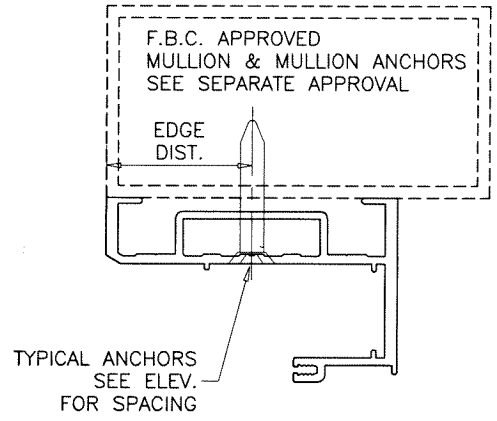
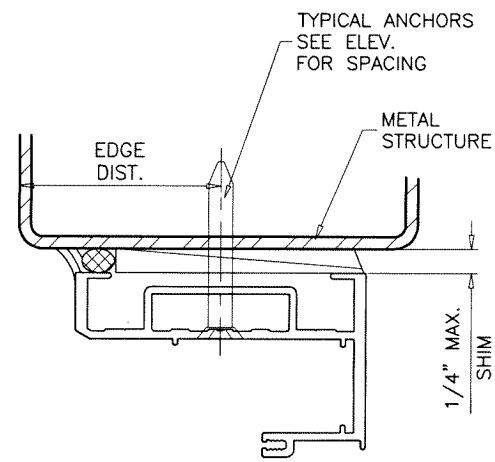
revisions:	no	date	by	description

date: 03-30-22  
 scale: 1/2" = 1"  
 dr. by: TARIQ  
 chk. by:

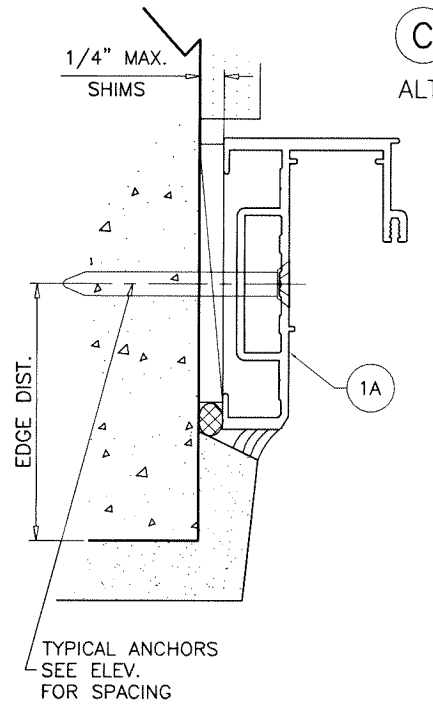
drawing no.  
**22-11F**  
 sheet 4 of 6



A  
ALT.



B  
ALT.

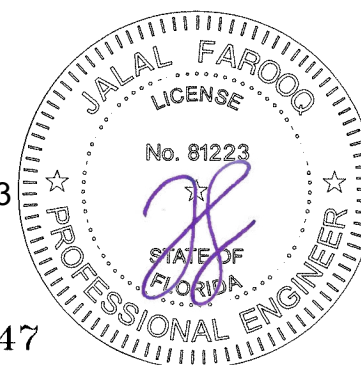


C  
ALT.

**INSTALLATION DETAILS WITH FLUSH FRAMES**

SEE SHEETS 3 & 4 FOR WINDOW DETAILS

Sealed: 7/12/2023



FL #41347

**af c**  
**AL-FAROOQ CORPORATION**  
 ENGINEERS & PRODUCT DEVELOPMENT  
 9360 SUNSET DRIVE, SUITE 220  
 MIAMI, FLORIDA 33173  
 TEL. (305) 264-8100 WWW.AFCENG.COM  
 FBPE #3538 COMP-ANL 22-11F-AAG

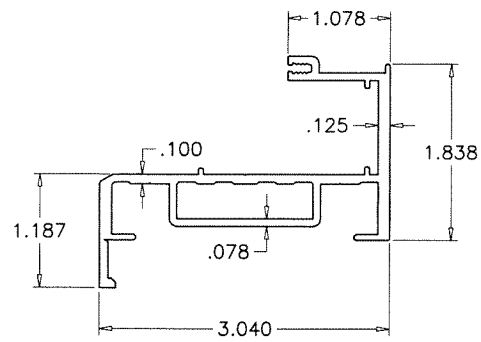
VistaView Alum Outswing Casement Wdw. (L.M.I.)  
**Aldora Aluminum & Glass Products Inc.**  
 4250 Coral Ridge Drive, Suite 101  
 Coral Springs, FL. 33065  
 Tel. (954) 784-6900 Fax. (954) 784-6901

revisions:	no	date	by	description

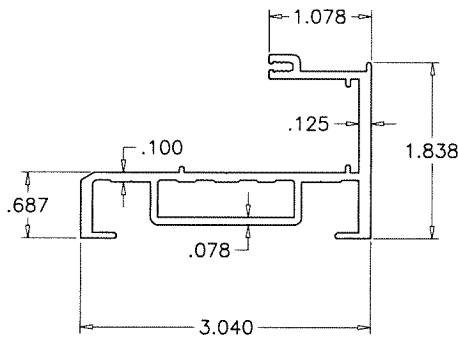
date:	03-30-22
scale:	1/2" = 1"
dr. by:	TARIQ
chk. by:	
drawing no.	22-11F
sheet	5 of 6



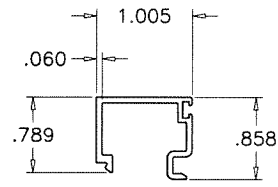
ITEM	PART #	QUANTITY	DESCRIPTION	MATERIAL	MANF./SUPPLIER/REMARKS
1	SMI-824	4/ WDW.	FLANGE FRAME	6063-T6	-
1A	SMI-823	4/ WDW.	FLUSH FRAME	6063-T6	-
2	SMI-821	4/ WDW.	VENT	6063-T6	-
3	SMI-825	AS REQD.	IMPOST	6063-T6	-
4	SMI-831	AS REQD.	IMPOST REINFORCING	6063-T6	-
5	SMI-827	4/ LITE	GLAZING BEAD	6063-T6	-
5A	-	4/ LITE	ALT. GLAZING BEAD	6063-T6	-
6	SMI-822	4/ LITE	GLAZING ADAPTER	6063-T6	-
7	-	AS REQD.	CORNER GUIDE	ST. STEEL	-
8	-	AS REQD.	CORNER KEY	6063-T6	MONTICELLI
9	SMI-802	AS REQD.	GLAZING GASKET	EPDM	MELTPOINT
10	SMI-G28	AS REQD.	FRAME W'STRIPPING	FOAM	AMESBURY
11	SMI-G29	AS REQD.	VENT W'STRIPPING	EPDM	DUROMETER 70±5 SHORE A
12	-	2/ LITE	SETTING BLOCK (3/16" X 5/8" X 4" LONG)	EPDM	DUROMETER 80±5 SHORE A
13	-	AS REQD.	GLASS SPACER	SILICONE	FRANK LOWE
14	-	2/ VENT	HINGES	-	TRUTH
15	-	1/ VENT	OPERATOR	-	TRUTH
16	-	1/ VENT	MULTI POINT LOCK	-	TRUTH
17	-	AS REQD.	SNUBBERS	-	SECURISTYLE
18	-	AS REQD.	PULL-IN BLOCKS	-	SECURISTYLE
19	#12 X 1-1/2"	AS REQD.	ASSEMBLY FASTENERS	ST. STEEL	FH SMS



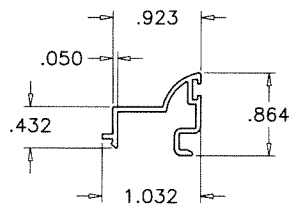
① FLANGE FRAME HEAD/SILL/JAMB



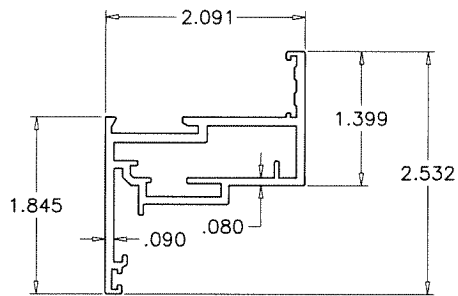
①A FLUSH FRAME HEAD/SILL/JAMB



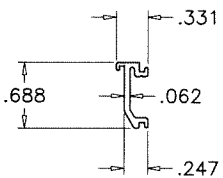
⑤ GLAZING STOP



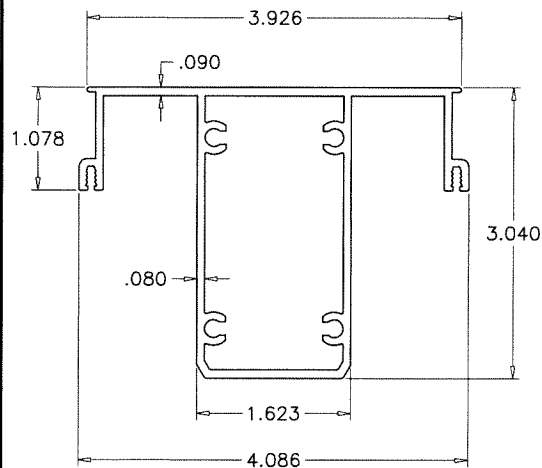
⑤A ALT. GLAZING STOP



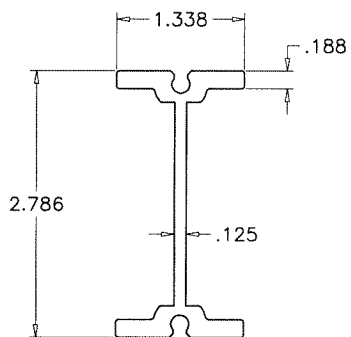
② VENT TOP/BOTTOM/SIDE RAIL



⑥ GLAZING ADAPTER



③ IMPOST



④ IMPOST REINFORCING

**SEALANT:**

ALL JOINTS AND FRAME CONNECTIONS SEALED WITH DOWSIL 795 SEALANT.

**LOCKS:**

MAGNUM MULTI POINT LOCK SYSTEM BY 'CALDWELL' AT FRAME JAMB  
LOCK OPERATOR AT 8-1/2" FROM SILL  
FASTENED TO JAMBS WITH (2) #10 X 1/2" PH SMS.

LOCK BAR SECURED TO JAMB WITH LOCK GUIDES SPACED AT 12-3/4" O.C. MAX.  
EACH GUIDE FASTENED WITH (2) #8 X 1" PH SMS

ST. STEEL KEEPERS AT VENT FACING LOCKING POINTS EACH FASTENED WITH (2) #8 X 3/4" PH SMS  
SEE CHART ON SHEET 1 FOR QUANTITIES

**HINGES:**

**OPTION #1**  
SERIES 601SS/301SS, 4-BAR ST/ST HINGES BY 'TRUTH' LOCATED AT TOP AND BOTTOM CORNERS  
FASTENED TO FRAME WITH (2) #10 X 3/4" PH SMS  
FASTENED TO VENT WITH (2) #10 X 3/4" PH SMS

**OPTION #2**  
MAGNUM SERIES 4100 OFFSET 4-BAR HINGES OR MAGNUM EGRESS #5012 BY 'CALDWELL' LOCATED AT TOP AND BOTTOM CORNERS  
FASTENED TO FRAME WITH (2) #10 X 3/4" PH SMS  
FASTENED TO VENT WITH (2) #10 X 3/4" PH SMS

**OPERATOR:**

**OPTION #1**  
SINGLE ARM ROTO OPERATOR BY 'TRUTH' LOCATED AT SILL END  
FASTENED WITH (6) #10 X 1" FH SMS  
OPERATOR TRACK #30175 AT BOTTOM RAIL  
FASTENED WITH (2) #10 X 1" P PH SMS

**OPTION #2**  
DYAD ROTO OPERATOR BY 'TRUTH' LOCATED AT SILL END  
FASTENED WITH (6) #10 X 1" FH SMS  
OPERATOR TRACK #30175 AT BOTTOM RAIL  
FASTENED WITH (2) #10 X 1" P PH SMS

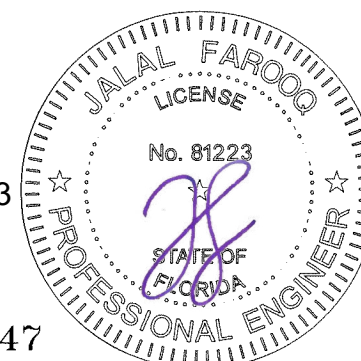
**SNUBBERS:**

VECTOR SECURITY DEVICE BY 'SECURISTYLE' LOCATED AT JAMB AND HINGE STILE AT 11" FROM TOP AND BOTTOM  
EACH FASTENED WITH (2) #10 X 1/2" P FH SDS.

**PULL-IN BLOCKS:**

PULL IN BLOCK BY 'SECURISTYLE' LOCATED AT JAMB AND HINGE STILE AT MIDSPAN  
EACH FASTENED WITH (2) #10 X 1/2" P FH SDS.

Sealed: 7/12/2023



FL #41347

**af c**  
**AL-FAROOQ CORPORATION**  
ENGINEERS & PRODUCT DEVELOPMENT  
9360 SUNSET DRIVE, SUITE 220  
MIAMI, FLORIDA 33173  
WWW.AFCENG.COM  
TEL. (305) 264-8100  
FBPE #3538  
COMP-ANL \ 22-11F-AAG

VistaView Alum Outswing Casement Wdw. (L.M.I.)  
**Aldora Aluminum & Glass Products Inc.**  
4250 Coral Ridge Drive, Suite 101  
Coral Springs, FL. 33065  
Tel. (954) 784-6900 Fax. (954) 784-6901

revisions:	no	date	by	description

date: 03-30-22  
scale: 1/2" = 1"  
dr. by: TARIQ  
chk. by:  
drawing no. 22-11F  
sheet 6 of 6